



**BERGEN
PIPE SUPPORTS**

Product Catalogue - Metric



A Global Solution

**OVER 100 YEARS' EXPERIENCE, SUPPLYING POWER GENERATION,
OIL, GAS, OFFSHORE, PETROCHEMICAL, PHARMACEUTICAL,
CHEMICAL, MARINE AND WATER INDUSTRIES WORLDWIDE**



Mission Statement. We are committed to being the premier choice pipe support company for our customers, suppliers and employees.

Global Service. Pipe Supports Limited was formed in 1968 to design and manufacture the Comet range of pipe hangers. Now part of the Hill and Smith Holdings PLC group of companies, Pipe Supports Group has an enviable reputation for quality, reliability, competitiveness, engineering excellence and financial strength. Our products have been supplied to every continent of the world through an international sales network dedicated to meeting its customers' stringent quality and delivery requirements.

From its origins in the heart of the United Kingdom, Pipe Supports Group has grown into a worldwide organisation with manufacturing plants in the **UK, USA, China, India and**

Thailand. In March 2011 we acquired The Paterson Group of companies incorporating Bergen Power Pipe Supports Inc., Carpenter & Paterson Inc., and Process Pipe Support Systems Inc., Canada. This has brought over 100 years of US market experience to the Group.

The Pipe Supports Group has a continual development programme resulting in the most comprehensive range of products available from one source. To ensure the products are of the highest standard, they are produced in manufacturing plants equipped with the latest technology. All of our manufacturing plants offer the same **Bergen Pipe Supports** product range.

Through this global manufacturing presence, we are able to offer competitive prices for projects around the World.

CONTENTS

Hanger Design

1

**Pipe Clamps and Ancillaries
— Load Group Basis**

2

Additional Ancillary Items

3

Comlin Isolation Products

4

Easislide Low Friction Bearings

5

Constant Effort Supports

6

Variable Effort Supports

7

Dynamic Restraints

8

Cryogenic Supports

9

Quality Assurance and Control:

All of The Pipe Supports Group manufacturing facilities operate the same highly evolved quality assurance and control systems based upon the ISO9001 standard. Developed by our facility in the UK, we implement the same QA Manual and procedures in each of our manufacturing plants regardless of local requirements.

Where there are specific local requirements these are implemented alongside our established systems.

All our of manufacturing facilities are either accredited to ISO9001 or are in the process of establishing systems and procedures that will be audited to ISO9001 in the very near future.

In addition, both our UK & US factories are accredited to ASME III, Division 2, Sub-section NF and have been awarded the ASME NS certificate for the supply of pipe supports to nuclear installations. The UK facility has also been accepted as a potential supplier to the European Pressurized Reactor (EPR) being built by Areva in accordance with the RCC codes.

Our US facility located in Donora, Bergen Power Pipe Supports has an established track-record of supplying to the US nuclear power program.

Our Chinese facility is presently preparing for ASME and HAF audits to enable us to supply equipment to the Nuclear Industry and to qualify us for American, French and Chinese requirements.

Our present programme of approvals & activity is —

- ▶ UK Plant
 - ▶ accredited to ISO90001–2008
 - ▶ accredited with ASME NS certificate
 - ▶ FPAL registered supplier
 - ▶ awaiting approval to HAF604
- ▶ Both Thai factories accredited to ISO9001–2008
- ▶ Chinese Plant
 - ▶ accredited to ISO9001–2008
 - ▶ in the process of implementing systems to ASME III NF
 - ▶ awaiting approval to HAF601, 602 & 603
- ▶ US Plant
 - ▶ accredited with ASME NS certificate
 - ▶ in the process of implementing systems to ISO9001–2008
 - ▶ awaiting approval to HAF604

In addition to QA/QC requirements we recognise the benefits of, and are working towards, accreditation to ISO14001 and ISO18001 for Health, Safety & Environment.

Manufacturing Standards: Throughout the catalogue we make frequent reference to material grades used for our product range. Our objective is to manufacture & supply the same produce at all of our manufacturing facilities regardless of location.

Material grades are carefully chosen to give equivalence in terms of mechanical properties, weldability and physical performance. Comparison tables are given in each of the key sections of the catalogue.

Our standard product range meets the requirements of ASME B31.1, ASME B31.3, MSS-SP58 & BS EN13480: Part 3 where these specifications are applicable. Our cryogenic pipe supports are generally designed to meet the specific needs of the client and our molded polyurethane foam is manufactured in compliance with the CINI manual 'Insulation for Industries'.

Further information on design, specifications & materials can be found on pages 8 & 9, 90, 119, 136, 173, 198, 263 & 287 of this catalogue.

Over 100 Years' worldwide experience
 Pipe Supports Group has over 100 years' experience of designing and supplying hanger systems for conventional and nuclear power stations, petrochemical complexes, pulp and paper mills and other industrial installations. ISO 9001 ASME approved, PSG has a reputation for providing reliable and cost-effective pipe support solutions.

Global design and supply solutions
 With design offices in the UK, USA, Thailand, Japan, China, South Korea and India utilising the most up-to-date engineering and design software, we offer a fully co-ordinated service; stress analysis of pipework, hanger selection, design and detailing, 3D CAD modeling, manufacturing and contract management. This service ensures cost-effective hanger systems, delivered in accordance with design requirements.

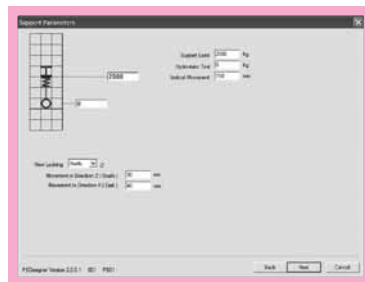
Pipe Supports Group design software
 We have developed two computer programs to assist pipe support designers. PSDesigner is a stand-alone pipe support assembly design and detailing program which also links to 3D plant design systems. PSLCAD is a 2D pipe support draughting program which runs within AutoCAD. Both PSDesigner and PSLCAD are provided free of charge and can be downloaded from the www.pipesupports.com website.

PSDesigner
 PSDesigner has been developed to meet the needs of today's pipe support designers.



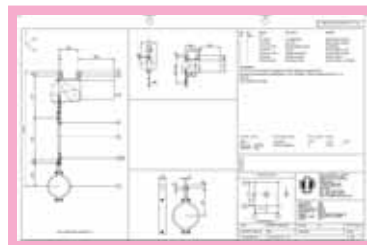
PSDesigner Main Page.

PSDesigner is a versatile tool for designing pipe hanger assemblies using Pipe Supports Group's standard components. Several languages are supported.



Specifying Support Parameters in PS Designer.

Detailed hanger drawings are produced including bills of material. The standard PSDesigner drawing includes a view of the hanger assembly and detail views of key components.



Typical PSDesigner Drawing.

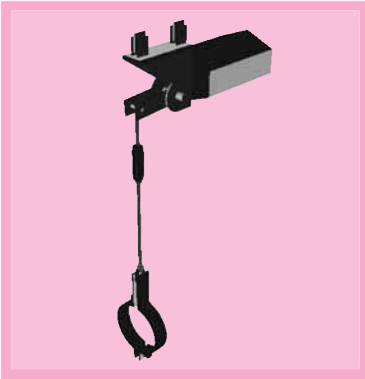
A bill of material and quotation for the hangers on a whole project can be produced.



Bill of Material in PSDesigner.

There is an option to export a 3D DXF image of the support assembly. There are also options to export 2D drawings as .DXF and .PDF files.



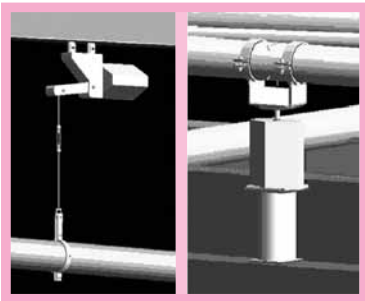


PSDesigner 3D Export.

The 3D DXF format file created by PSDesigner can be opened by, or imported into, many 3D CAD programs.

We have developed full interfaces with the following plant design software:

- SmartPlant3D (Intergraph)
- PDS / SupportModeler (Intergraph)
- Vantage PDMS / MDS (Aveva)



Support Assemblies in PDMS.

These are two-way links. Details about the pipe and its location are passed to PSDesigner which is used to design the support assembly and the details of the assembly are then passed back to the plant design program.

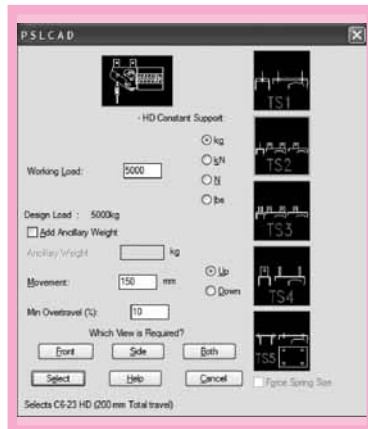
PSDesigner is continually being improved to provide our customers with the most efficient way of designing pipe support assemblies.

PSLSCAD

PSLSCAD runs within AutoCAD and is used to create support detail drawings using Pipe Supports Group standard components. PSLSCAD is compatible with full version AutoCAD and also with AutoCAD LT when used in conjunction with supplementary programs which support Autolisp. For the latest list of compatible versions, please refer to the Pipe Supports website.



PSLSCAD Toolbars.

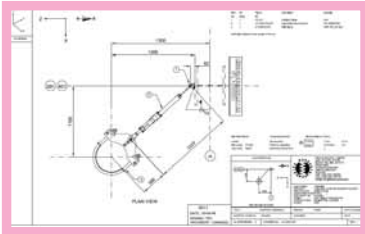


Constant Support Selection in PSLSCAD.

In PSLSCAD, components are drawn one at a time, so creating a drawing takes a little longer than it does when using PSDesigner, but with PSLSCAD, you have the

versatility of AutoCAD which allows you to customise the design and the drawing to meet your particular needs.

It is possible to create a drawing using PSEditor and then open the 2D DXF file with PSLCAD. You can then enhance the drawing using PSLCAD and AutoCAD utilities. This method of working makes use of the respective strengths of both programs; the basic drawing is created very quickly using PSEditor, and the flexibility of PSLCAD and AutoCAD are used to make whatever detail enhancements are required.



PSLCAD Drawing showing Hydraulic Snubber.

As well as all the standard PSG components, PSLCAD incorporates a comprehensive database of steel section sizes enabling the user to create drawings including the appropriate trimming steelwork.

Pipe Supports Group design services

Pipe Hanger Design

Pipe Supports Group has an experienced team of design engineers and pipe support draughtsmen who can design and detail pipe hanger drawings for all types of projects. We can prepare detailed support installation drawings from conceptual sketches or from plant layout information and pipe stress analysis output. Our engineers and draughtsmen are experienced in the use of PSEditor and PSLCAD.

3D modelling

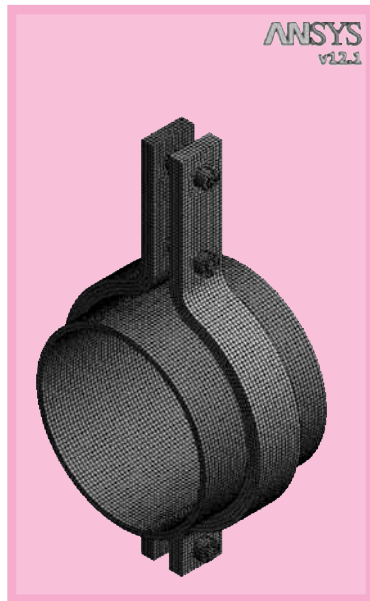
We can design and place full size support representations in 3D CAD models provided by customers. We can also provide 3D DXF images of supports if customers prefer to place the supports in the model themselves.

Pipework analysis

Pipe Supports Group can offer pipework stress analysis to ASME B31.1, B31.3 and other design codes. Considering deadweight, thermal and dynamic effects, system stress levels and equipment loadings are calculated along with loads and movements acting at the support positions. We use one of several proprietary pipe stress analysis programs.

Finite element analysis

Pipe Supports Group has a team of design engineers qualified to carry out finite element analysis using ANSYS Professional. We are using this design tool to continuously update and expand our range of standard supports and also carry out analysis for specific design contracts.



Pipe Clamp modelled in ANSYS





























Stress Levels in Turnbuckle calculated using ANSYS.

Pipe Support Surveys

Our engineers are experienced in surveying existing pipework systems, reporting on the condition of hangers and making recommendations on their correct installation and future safe operation. Such surveys are increasingly being demanded by utilities and safety authorities.

Index

10		114 LUG ATTACHMENT	13		234 ROD COUPLING	16		PC2 TWO BOLT PIPE CLAMP
		122 BEAM WELDING ATTACHMENT			235 TURNBUCKLE	23		PC3 THREE BOLT PIPE CLAMP
		122A BEAM WELDING ATTACHMENT FOR USE WITH DUAL FACED ROCKER WASHER			236 SPHERICAL WASHER	45		RC4 & RC6 RISER CLAMPS
11		125 INVERTED BEAM WELDING ATTACHMENT	14		280 CUP FOR SPHERICAL WASHER	63		FPR FLAT PLATE TYPE RISER CLAMP
		130 CEILING PLATE			281 DUAL FACED ROCKER WASHER	79		PB PIPE CLAMP BASES
		230 EYE ROD			282 PLATE FOR DUAL FACED ROCKER WASHER	86		486 SPREADER BEAM — I — BEAM TYPE
12		226 & 227 HANGER ROD & ALL THREAD ROD	15		238 CLEVIS	87		487 SPREADER BEAM — TWIN CHANNEL TYPE
		277 LOCKNUT			274 CLEVIS PIN			
		278 FULL NUT			239 WELDLESS EYE NUT			
		279 FLAT WASHER						

1

2

3

4

5

6

7

8

9

PIPE CLAMPS AND ANCILLARIES — LOAD GROUP BASIS

This section covers components that have been designed with standardized load carrying capacities that are compatible with metric hanger rods. The components in this section are assigned to load groups; this simplifies selection and leads to cost-effective designs. For example, if all components in the load chain are selected as load group 5, the load carrying capacity of each item, and therefore of the whole assembly, will be 2280kgf; the load carrying capacity of an M24 hanger rod. Riser clamps and spreader beams are designed to sustain the standard load capacities on each rod.

SELECTION OF COMPONENTS

The selection of beam attachments, hanger rods and rod attachments, spreader beams and other items which are not within the pipework's thermal insulation (lagging) and are therefore not exposed to the pipe temperature is achieved simply by referring to the load capacity for each load group and selecting the component accordingly. Load capacities for standard rod sizes are given below:

Load Group	Rod Size	Load Capacity kgf	kN
0	M8	230	2.3
1	M10	360	3.5
2	M12	530	5.3
3	M16	1010	9.9
4	M20	1580	15.5
5	M24	2280	22.4
6	M30	3650	35.8
7	M36	5340	52.4
8	M42	7400	72.6
9	M48	9650	94.6
10	M56	13350	130.9
11	M64	18000	176.5
12	M72	23025	225.8
13	M80	28125	275.8

The three bolt pipe clamps, riser clamps, and pipe bases are given a part number, which incorporates both the load group and the design temperature of the item concerned.

For example:

Part number: PC3 – 200 – 5 – 560
 PC3 — Three Bolt Pipe Clamp
 200 — 200mm Pipe Size
 5 — Load Group 5
 560 — 560°C Design Temperature

Because the pipe clamp is made from standard components, the load capacity at design temperature is likely to be slightly greater than the standard load capacity for the given load group. In the above example, the load capacity at 560°C is 2410kgf, whereas the standard load capacity is 2280kgf. Note also that load capacities are also given at temperatures above and below the design temperature for the clamp. Load capacities at intermediate temperatures can be obtained by interpolation. Do not select items for use at a temperature above the maximum temperature for which a load capacity is quoted for the item in question.

It is important to note that in order to make the most efficient and cost effective selection of pipe clamp, riser clamp or pipe base, it may be necessary to consider several possible selections. If the design temperature of

the clamp is in between the standard design temperatures, it may be possible to make a more cost effective selection either by considering the clamp for a lower load group or a lower temperature

e.g. Pipe size = 250 N.B., Load = 1700kgf, Pipe temperature = 540°C

Consider the following three bolt pipe clamps:

PC3-250-4-530	Load capacity = 1673kgf (by interpolation)	No good
PC3-250-4-560	Load capacity = 1830kgf	OK
PC3-250-5-530	Load capacity = 2226kgf (by interpolation)	OK
PC3-250-5-560	Load capacity = 2720kgf	OK

Any of the last three clamps is an acceptable selection. If you simply select a clamp where the standard clamp design temperature exceeds the pipe temperature and the standard load group load capacity exceeds the actual load, you will select PC3-250-5-560, but this is not the most economic selection. In this example either PC3-250-4-560 or PC3-250-5-530 is a more efficient selection than PC3-250-5-560.

So when selecting components to make a pipe support assembly, you can choose a pipe clamp which has a different load group to the hanger rod. This situation may also arise when using variable effort supports, which have standard rod sizes to suit the maximum load on the spring.

In designing and developing this range of pipe clamps and ancillary items, we at Pipe Supports Group have paid particular attention to compatibility of components across load groups. On the tabulations for pipe clamps and riser clamps, the compatible rod sizes are given. This is based on use with our standard pattern weldless eye nut, (or standard pattern clevis for flat plate type riser clamps).

All Pipe Supports Group's standard pipe clamps and ancillaries are designed to withstand an increased short term load, such as occurs during hydrostatic test, up to twice the quoted load capacity for the item.

When using high temperature pipe chairs in conjunction with spreader beams, it may be desirable to specify load bearing insulation between the chair and the beam. Provided that the beam is not within the lagging, the temperature drop to the beam should mean that the beam itself will not be hot enough to significantly reduce its strength, but for reasons of personnel protection or thermal efficiency, load bearing insulation may be judged to be necessary.

Certain sizes of carbon steel pipe clamps are kept in stock to enable us to supply these items on very short lead times. The part numbers for these items are shown in bold in the tabulations.

STANDARDS

The pipe clamps and riser clamps included in this section have been designed in accordance with ASME B31.1/MSS-SP58. Load capacities for metric hanger rods have been taken from BS3974 (now replaced by BSEN 13480 part 3). Most of the other components are BS3974 standard items; stress levels also complying with ASME B31.1/MSS-SP58. Where components are not BS3974 standard items, they have been designed in accordance with ASME B31.1/MSS-SP58.

MATERIALS

Pipe Supports Group manufactures at a number of sites worldwide. Materials are selected from the following equivalent or similar specifications suiting availability at the site of manufacture:

Carbon Steel Items manufactured from Plate or sections,

Pipe Clamps to 400°C

Euro BS EN10025: S275JR

ASTM ASTM A36

IS IS:2062

JIS JIS G3101 SS400

China Q235B

Carbon Steel Hanger Rods

Euro BS EN10025: S275JR/S355JR

ASTM ASTM A36

IS IS: 2062

JIS JIS G3101 SS400

China 20#

Carbon Steel for Forgings

Euro BS 970 Grade 080A27

ASTM ASTM A105

IS IS: 1875 Gr. 2

JIS JIS G3202 SFVC2A

China 20#

Carbon Steel bolts and nuts

Euro BS 4190/DIN 601 Gr. 4.6 and BS 4190/DIN 555 Gr. 4

IS IS: 1367 (Part III) Gr. 4.6 and IS: 1367 (Part VI) Gr. 4

ASTM ASTM A307 Gr.B

China 20#

We also design and manufacture pipe clamps and ancillaries in other materials to suit particular applications. Examples of this are:

Hanger rods and ancillaries in alloy steel for boiler integral pipework.

Low temperature carbon steel grades.

Austenitic stainless steel for corrosion resistance, cryogenic or high temperature service.

Nickel alloys.



FINISH

The standard finish for pipe clamps and ancillary items is self colour. Other available finishes are:

Hot dip galvanised

Zinc plated

Zinc phosphate primer

Zinc silicate primer

Corrosion resistant paint finishes to customer specifications.

THREAD FORM

All threaded components are supplied ISO metric coarse unless otherwise stated. Other thread forms can be supplied at extra cost.



1

2

3

4

5

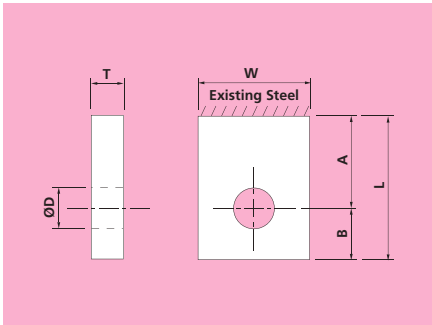
6

7

8

9

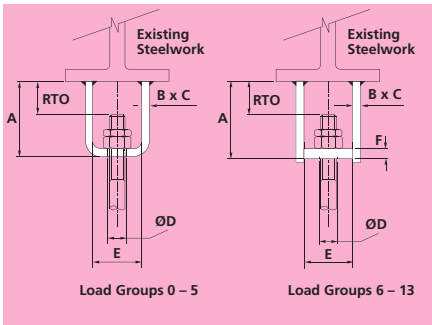
114 LUG ATTACHMENT



Material: Carbon Steel

PART NUMBER	PIN DIA	D	A	B	WxLxT	WEIGHT	LOAD CAPACITY		LOAD GROUP
							kgf	kN	
F114M08	8	10	30	20	50x50x6	0.11	230	2.3	0
F114M10	10	12	30	20	50x50x8	0.11	360	3.5	1
F114M12	12	14	30	20	50x50x8	0.15	530	5.2	2
F114M16	16	18	42	30	60x72x10	0.32	1010	9.9	3
F114M20	20	22	50	35	60x85x10	0.37	1580	15.5	4
F114M24	24	26	60	45	80x105x12	0.74	2280	22.4	5
F114M30	30	33	70	55	100x125x15	1.4	3650	35.8	6
F114M36	36	39	80	65	100x145x20	2.1	5340	52.4	7
F114M42	42	45	90	75	110x165x25	3.3	7400	72.6	8
F114M48	48	52	105	85	130x190x25	4.4	9650	94.6	9
F114M56	56	60	120	100	150x220x30	7.1	13350	130.9	10
F114M64	64	68	140	115	180x255x35	11.6	18000	176.5	11
F114M72	72	76	155	130	200x285x40	16.5	23025	225.8	12
F114M80	80	85	175	150	240x325x40	22.7	28125	275.8	13

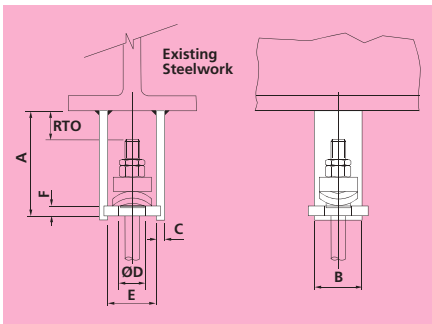
122 BEAM WELDING ATTACHMENT



Material: Carbon Steel

PART NUMBER	ROD SIZE	A	B	C	D	E	F	RTO	WEIGHT	LOAD CAPACITY		LOAD GROUP
										kgf	kN	
F122M08	8	75	50	6	10	40	—	31	0.45	230	2.3	0
F122M10	10	75	50	6	12	40	—	36	0.44	360	3.5	1
F122M12	12	75	50	6	14	40	—	33	0.44	530	5.2	2
F122M16	16	85	75	10	18	60	—	39	1.3	1010	9.9	3
F122M20	20	85	75	12	22	70	—	25	1.7	1580	15.5	4
F122M24	24	115	100	12	27	75	—	51	2.8	2280	22.4	5
F122M30	30	125	125	15	33	100	15	54	5.3	3650	35.8	6
F122M36	36	165	150	20	39	125	20	72	11.0	5340	52.4	7
F122M42	42	195	150	20	46	135	20	95	12.6	7400	72.6	8
F122M48	48	210	150	20	52	150	25	79	14.5	9650	94.6	9
F122M56	56	240	200	20	60	180	25	78	22.4	13350	130.9	10
F122M64	64	250	200	20	68	215	30	80	25.9	18000	176.5	11
F122M72	72	275	200	25	76	230	40	90	36.2	23025	225.8	12
F122M80	80	300	220	25	85	250	40	100	43.1	28125	275.8	13

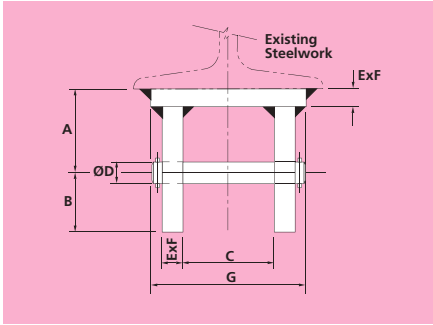
122A BEAM WELDING ATTACHMENT FOR USE WITH DUAL FACED ROCKING WASHER



Material: Carbon Steel

PART NUMBER	ROD SIZE	A	B	C	D	E	F	RTO	WEIGHT	LOAD CAPACITY		LOAD GROUP
										kgf	kN	
F122AM12	12	103	50	6	38	70	10	25	0.83	530	5.2	2
F122AM16	16	107	75	10	38	70	10	25	1.6	1010	9.9	3
F122AM20	20	176	75	12	49	85	12	50	3.2	1580	15.5	4
F122AM24	24	183	100	12	49	85	15	50	4.4	2280	22.4	5
F122AM30	30	207	125	15	66	120	15	50	8.0	3650	35.8	6
F122AM36	36	219	150	20	66	120	20	50	13.1	5340	52.4	7
F122AM42	42	242	150	20	74	140	25	50	15.3	7400	72.6	8
F122AM48	48	259	150	20	82	160	25	50	17.4	9650	94.6	9
F122AM56	56	283	200	20	93	180	25	50	25.3	13350	130.9	10
F122AM64	64	309	200	25	104	210	30	50	35.8	18000	176.5	11

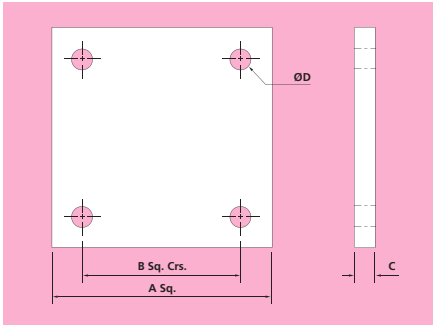
125 INVERTED BEAM WELDING ATTACHMENT



Material: Carbon Steel

PART NUMBER	PIN SIZE	A	B	C	OD	ExF	G	WEIGHT kgf	LOAD CAPACITY		LOAD GROUP
									kgf	kN	
F125M08	8	36	20	30	10	50x6	54	0.38	230	2.3	0
F125M10	10	36	20	30	12	50x6	54	0.39	360	3.5	1
F125M12	12	36	20	30	14	50x6	54	0.40	530	5.2	2
F125M16	16	42	30	30	18	50x6	54	0.51	1010	9.9	3
F125M20	20	60	35	35	22	60x10	71	1.1	1580	15.5	4
F125M24	24	70	45	40	26	80x10	76	2.0	2280	22.4	5
F125M30	30	82	55	40	32	100x12	80	3.5	3650	35.8	6
F125M36	36	95	65	55	39	110x15	101	5.8	5340	52.4	7
F125M42	42	105	75	65	45	130x15	115	7.9	7400	72.6	8
F125M48	48	125	85	70	51	150x20	130	13.6	9650	94.6	9
F125M56	56	140	100	80	60	180x20	140	18.7	13350	130.9	10
F125M64	64	160	115	90	68	200x20	154	24.2	18000	176.5	11
F125M72	72	180	130	100	76	220x25	174	35.5	23025	225.8	12
F125M80	80	200	150	100	84	240x25	180	43.0	28125	275.8	13

130 CEILING PLATE



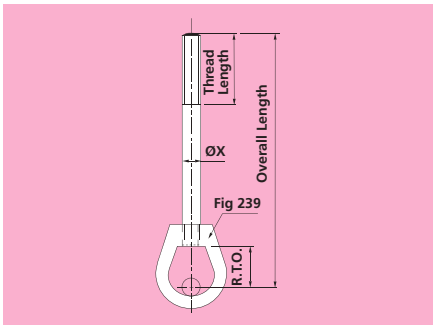
Material: Carbon Steel

PART NUMBER	ROD SIZE	A	B	C	DIA. D	RECOMMENDED FIXING BOLT	WEIGHT kgf	LOAD CAPACITY		LOAD GROUP
								kgf	kN	
F130M08	8	130	100	8	9	F287-M8/95	1.1	230	2.3	0
F130M10	10	130	100	8	9	F287-M8/95	1.1	360	3.5	1
F130M12	12	150	120	8	9	F287-M8/95	1.4	530	5.2	2
F130M16	16	170	140	12	9	F287-M8/95	2.7	1010	9.9	3
F130M20	20	190	150	15	12	F287-M10/110	4.3	1580	15.5	4
F130M24	24	220	180	20	14	F287-M12/145	7.6	2280	22.4	5
F130M30	30	270	220	20	18	F287-M16/165	11.5	3650	35.8	6
F130M36	36	320	260	25	22	F287-M20/200	20.1	5340	52.4	7
F130M42	42	370	300	30	26	F288-M16/50	32.3	7400	72.6	8
F130M48	48	450	360	35	31	F288-M20/60	55.7	9650	94.6	9
F130M56	56	580	480	40	35	F288-M24/60	105.7	13350	130.9	10
F130M64	64	580	480	45	35	F289-M20-220/60	118.9	18000	176.5	11

FOR USE IN CONJUNCTION WITH PART NUMBER 114, 122, 122A OR 125

WHEN ORDERED WITH ONE OF THESE PARTS, THIS IS SUPPLIED AS A WELDED ASSEMBLY

230 EYE ROD



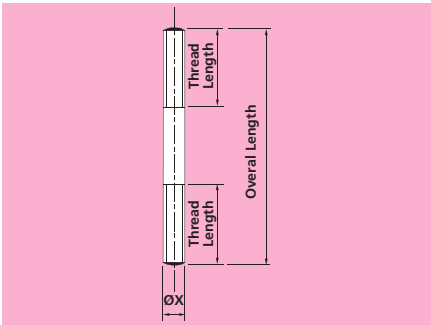
Material: Forged Steel and Carbon Steel

PART NUMBER	DIA X	R.T.O.	LOAD CAPACITY		LOAD GROUP
			kgf	kN	
F230M08	8	34	230	2.3	0
F230M10	10	33	360	3.5	1
F230M12	12	45	530	5.2	2
F230M16	16	43	1010	9.9	3
F230M20	20	69	1580	15.5	4
F230M24	24	67	2280	22.4	5
F230M30	30	80	3650	35.8	6
F230M36	36	77	5340	52.4	7
F230M42	42	138	7400	72.6	8
F230M48	48	135	9650	94.6	9
F230M56	56	131	13350	130.9	10
F230M64	64	127	18000	176.5	11
F230M72	72	186	23025	225.8	12
F230M80	80	182	28125	275.8	13

ORDER BY:
PART NUMBER AND OVERALL LENGTH AS SHOWN

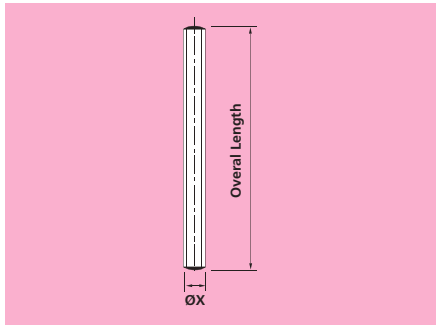
FOR THREAD LENGTH, SEE TYPE 226 HANGER ROD

226 HANGER ROD



Material: Carbon Steel

227 ALL THREAD ROD

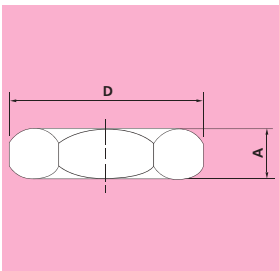


Material: Carbon Steel

HANGER ROD PART NUMBER	ALL THREAD ROD PART NUMBER	DIA X	LOAD CAPACITY		LOAD GROUP	STANDARD THREAD LENGTHS FOR TYPE 226 HANGER RODS WHEN USED WITH COMPONENTS SHOWN						
			kgf	kN		VARIABLE EFFORT SUPPORT	TURN BUCKLE & NUT	ROD COUPLING & NUT	CLEVIS & NUT	WELDLESS EYE & NUT	WELDLESS EYE (ONLY)	TWO NUTS
F226M08	F227M08	8	230	2.3	0	—	100	23	40	24	16	64
F226M10	F227M10	10	360	3.5	1	—	100	24	41	25	16	66
F226M12	F227M12	12	530	5.2	2	182	106	29	43	28	17	70
F226M16	F227M16	16	1010	9.9	3	191	115	39	46	31	17	76
F226M20	F227M20	20	1580	15.5	4	199	123	47	49	45	28	132
F226M24	F227M24	24	2280	22.4	5	210	134	55	52	48	28	138
F226M30	F227M30	30	3650	35.8	6	228	152	70	57	72	47	148
F226M36	F227M36	36	5340	52.4	7	243	167	85	71	77	47	158
F226M42	F227M42	42	7400	72.6	8	248	172	95	79	92	57	168
F226M48	F227M48	48	9650	94.6	9	267	191	104	96	96	57	226
F226M56	F227M56	56	13350	130.9	10	293	217	126	116	103	57	240
F226M64	F227M64	64	18000	176.5	11	299	223	147	122	109	57	252
F226M72	F227M72	72	23025	225.8	12	320	244	164	149	148	89	266
F226M80	F227M80	80	28125	275.8	13	336	260	180	165	154	89	278

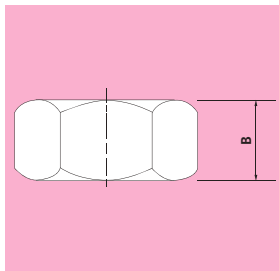
ORDER BY: PART NUMBER AND OVERALL LENGTH

277 LOCKNUT



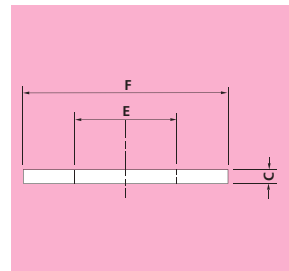
Material: Carbon Steel

278 FULL NUT



Material: Carbon Steel

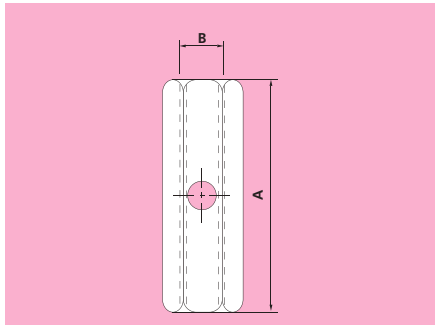
279 FLAT WASHER



Material: Carbon Steel

LOCKNUT PART NUMBER	FULL NUT PART NUMBER	FLAT WASHER PART NUMBER	THREAD SIZE	A	B	C	D	E	F	LOAD GROUP	WEIGHTS kgf		
											LOCKNUT	FULL NUT	WASHER
F277M08	F278M08	F279M08	M8	5	6.5	1.6	15	9	17	0	0.004	0.005	0.002
F277M10	F278M10	F279M10	M10	6	8.0	2.0	20	11	21	1	0.009	0.011	0.004
F277M12	F278M12	F279M12	M12	7	10.0	2.5	22	14	24	2	0.011	0.016	0.006
F277M16	F278M16	F279M16	M16	8	13.0	3.0	28	18	30	3	0.019	0.031	0.011
F277M20	F278M20	F279M20	M20	9	16.0	3.0	35	22	37	4	0.034	0.061	0.016
F277M24	F278M24	F279M24	M24	10	19.0	4.0	42	26	44	5	0.054	0.104	0.031
F277M30	F278M30	F279M30	M30	12	24.0	4.0	53	33	56	6	0.105	0.211	0.051
F277M36	F278M36	F279M36	M36	14	29.0	5.0	64	39	66	7	0.181	0.374	0.088
F277M42	F278M42	F279M42	M42	16	34.0	7.0	75	45	78	8	0.285	0.606	0.150
F277M48	F278M48	F279M48	M48	18	38.0	8.0	87	52	92	9	0.440	0.928	0.284
F277M56	F278M56	F279M56	M56	22	45.0	9.0	99	62	105	10	0.675	1.380	0.399
F277M64	F278M64	F279M64	M64	24	51.0	9.0	110	70	115	11	0.876	1.861	0.463
F277M72	F278M72	F279M72	M72	28	58.0	10.0	120	78	125	12	1.023	2.197	0.569
F277M80	F278M80	F279M80	M80	32	64.0	12.0	131	86	140	13	1.324	2.825	0.781

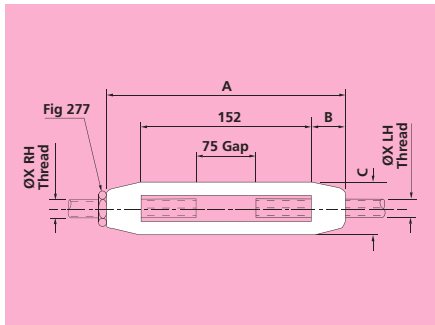
234 ROD COUPLING



Material: Carbon Steel

PART NUMBER	ROD SIZE B	LENGTH A	SIGHT HOLE Ø	WEIGHT	LOAD CAPACITY		LOAD GROUP
					kgf	kN	
F234M08	8	30	6	0.04	230	2.3	0
F234M10	10	30	6	0.04	360	3.5	1
F234M12	12	36	6	0.06	530	5.2	2
F234M16	16	50	8	0.1	1010	9.9	3
F234M20	20	60	10	0.2	1580	15.5	4
F234M24	24	70	12	0.4	2280	22.4	5
F234M30	30	90	12	0.8	3650	35.8	6
F234M36	36	110	12	1.4	5340	52.4	7
F234M42	42	120	14	2.1	7400	72.6	8
F234M48	48	130	14	3.2	9650	94.6	9
F234M56	56	160	14	4.9	13350	130.9	10
F234M64	64	190	14	6.9	18000	176.5	11
F234M72	72	210	14	9.7	23025	225.8	12
F234M80	80	230	14	13.1	28125	275.8	13

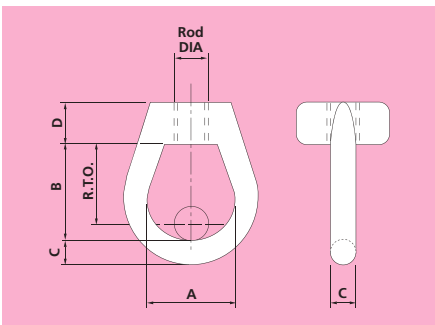
235 TURNBUCKLE THREADED RIGHT HAND/LEFT HAND 235A TURNBUCKLE THREADED RIGHT HAND BOTH ENDS



Material: Forged or Profiled Carbon Steel
This item may be forged or profiled

PART NUMBER	PART NUMBER RH/LH	ROD DIA X	A	B	C	Wt.	LOAD CAPACITY		LOAD GROUP
							kgf	kN	
F235M08	F235AM08	8	182	15	28	0.50	230	2.3	0
F235M10	F235AM10	10	182	15	28	0.50	360	3.5	1
F235M12	F235AM12	12	192	20	32	0.64	530	5.2	2
F235M16	F235AM16	16	204	26	42	0.92	1010	9.9	3
F235M20	F235AM20	20	214	31	50	1.4	1580	15.5	4
F235M24	F235AM24	24	230	39	60	2.4	2280	22.4	5
F235M30	F235AM30	30	256	52	68	4.0	3650	35.8	6
F235M36	F235AM36	36	276	62	84	6.0	5340	52.4	7
F235M42	F235AM42	42	276	62	84	6.0	7400	72.6	8
F235M48	F235AM48	48	305	77	108	11.9	9650	94.6	9
F235M56	F235AM56	56	343	96	145	17.6	13350	130.8	10
F235M64	F235AM64	64	343	96	145	23.6	18000	176.5	11
F235M72	F235AM72	72	372	110	156	27.3	23025	225.8	12
F235M80	F235AM80	80	392	120	172	38.7	28125	275.8	13

239 WELDLESS EYE NUT

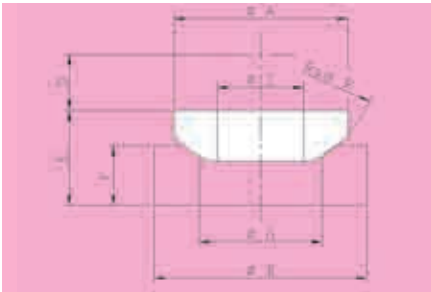


Material: Forged Steel

PART NUMBER	ROD DIA X	A	B	C	D	R.T.O.	WEIGHT	LOAD CAPACITY		LOAD GROUP
								kgf	kN	
F239M08	8	25	38	10	16	34	0.10	230	2.3	0
F239M10	10	25	38	10	16	33	0.10	360	3.5	1
F239M12	12	38	51	13	17	45	0.27	530	5.2	2
F239M16	16	38	51	13	17	43	0.25	1010	9.9	3
F239M20	20	50	79	17	28	69	0.84	1580	15.5	4
F239M24	24	50	79	17	28	67	0.81	2280	22.4	5
F239M30	30	47	95	20	47	80	2.1	3650	35.8	6
F239M36	36	47	95	20	47	77	2.0	5340	52.4	7
F239M42	42	101	159	38	57	138	7.5	7400	72.6	8
F239M48	48	101	159	38	57	135	7.3	9650	94.6	9
F239M56	56	101	159	38	57	131	7.1	13350	130.9	10
F239M64	64	101	159	38	57	127	6.8	18000	176.5	11
F239M72	72	101	222	49	89	186	18.0	23025	225.8	12
F239M80	80	101	222	49	89	182	17.4	28125	275.8	13

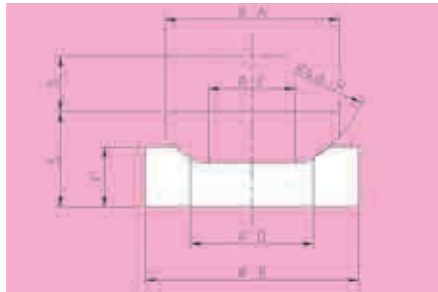
R.T.O. ASSUMES USE IN CONJUNCTION WITH A PIN HAVING THE SAME DIAMETER AS THE HANGER ROD

236 SPHERICAL WASHER



Material: Carbon Steel

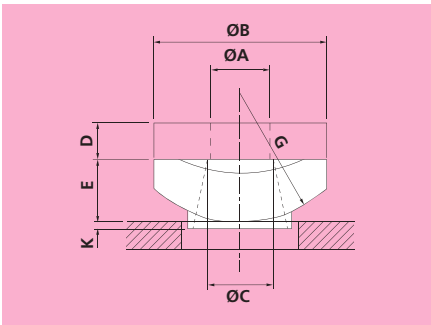
280 CUP FOR SPHERICAL WASHER



Material: Carbon Steel

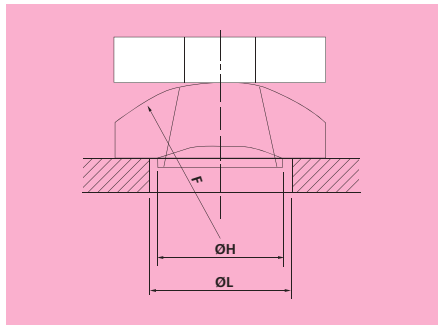
PART NUMBER SPHERICAL WASHER	PART NUMBER CUP	ROD DIA	ØA	ØB	ØC	D	E	F	ØG	R	WEIGHT kgf		LOAD CAPACITY		LOAD GROUP
											SPHERICAL WASHER	CUP	kgf	kN	
F236M08	F280M08	8	19	29	10	5	13	8	13	13	0.01	0.03	230	2.3	0
F236M10	F280M10	10	23	32	12	7	14	10	15	15	0.01	0.05	360	3.5	1
F236M12	F280M12	12	26	35	14	8	16	10	18	18	0.02	0.05	530	5.2	2
F236M16	F280M16	16	36	41	18	11	19	12	23	24	0.05	0.08	1010	9.9	3
F236M20	F280M20	20	44	54	22	14	24	15	29	30	0.09	0.19	1580	15.5	4
F236M24	F280M24	24	53	63	26	17	32	20	35	36	0.16	0.33	2280	22.4	5
F236M30	F280M30	30	66	76	33	21	35	20	42	45	0.31	0.48	3650	35.8	6
F236M36	F280M36	36	79	95	39	25	44	25	51	54	0.55	0.98	5340	52.4	7
F236M42	F280M42	42	92	105	45	29	49	30	59	63	0.89	1.32	7400	72.6	8
F236M48	F280M48	48	106	130	52	34	58	35	68	72	1.28	2.59	9650	94.6	9
F236M56	F280M56	56	123	152	60	39	68	40	79	84	2.09	4.07	13350	130.9	10
F236M64	F280M64	64	141	172	68	45	78	45	91	96	3.12	5.82	18000	176.5	11
F236M72	F280M72	72	158	194	76	50	88	50	102	108	4.51	8.28	23025	225.8	12
F236M80	F280M80	80	176	215	85	56	98	60	113	120	6.11	12.02	28125	275.8	13

281 DUAL FACED ROCKING WASHER



Material: Cast Iron

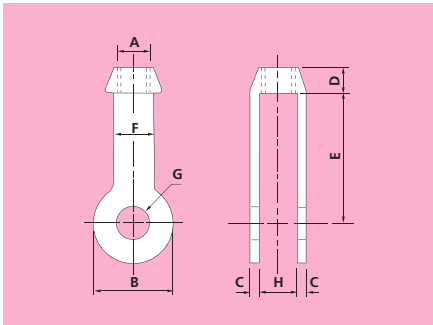
282 PLATE FOR DUAL FACED ROCKING WASHER



Material: Carbon Steel

PART NUMBER ROCKING WASHER	PART NUMBER PLATE	ROD DIA	A	B	C	D	E	F	G	H	K	L	WEIGHT kgf		LOAD CAPACITY		LOAD GROUP
													ROCKER WASHER	PLATE	kgf	kN	
F281M12	F282M12	M12	13	50	20	10	16	32	32	33	5	38	0.12	0.14	530	5.2	2
F281M16	F282M16	M16	17	50	20	10	16	32	32	33	5	38	0.11	0.14	1010	9.9	3
F281M20	F282M20	M20	21	65	28	15	24	48	48	44	5	49	0.28	0.35	1580	15.5	4
F281M24	F282M24	M24	26	65	28	15	24	48	48	44	5	49	0.26	0.33	2280	22.4	5
F281M30	F282M30	M30	32	98	40	20	36	72	72	59	5	66	0.95	1.1	3650	35.8	6
F281M36	F282M36	M36	38	98	40	20	36	72	72	59	5	66	0.91	1.0	5340	52.4	7
F281M42	F282M42	M42	45	114	46	25	42	84	84	67	6	74	1.4	1.7	7400	72.6	8
F281M48	F282M48	M48	52	130	52	30	48	96	96	75	7	82	2.1	2.6	9650	94.6	9
F281M56	F282M56	M56	60	151	60	35	56	112	112	89	8	93	3.3	4.1	13350	130.9	10
F281M64	F282M64	M64	68	173	69	40	64	128	128	96	10	104	5.0	6.2	18000	176.5	11

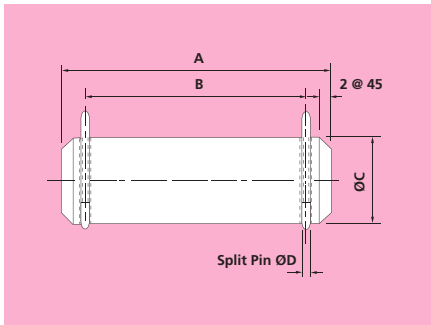
238 CLEVIS



Material: Forged Steel or Carbon Steel
 This item may be forged or profiled

PART NUMBER	ROD DIA	A	B	C	D	E	F	G	H	Wt.	LOAD CAPACITY		LOAD GROUP
											kgf	kN	
F238M08	8	38	13	32	95	30	10	18	1.2	230	2.3	0	
F238M10	10	38	13	32	95	30	12	18	1.2	360	3.5	1	
F238M12	12	38	13	32	95	30	14	18	1.1	530	5.2	2	
F238M16	16	38	13	32	95	30	18	18	1.1	1010	9.9	3	
F238M20	20	63	16	32	102	30	22	24	1.8	1580	15.5	4	
F238M24	24	76	18	32	127	38	26	28	2.9	2280	22.4	5	
F238M30	30	76	18	32	127	38	32	28	2.8	3650	35.8	6	
F238M36	36	89	20	41	152	44	38	48	4.6	5340	52.4	7	
F238M42	42	102	22	44	152	50	44	56	6.1	7400	72.6	8	
F238M48	48	127	28	57	178	64	50	58	12.0	9650	94.6	9	
F238M56	56	152	33	70	203	76	58	75	20.4	13350	130.9	10	
F238M64	64	152	33	70	203	76	66	75	19.6	18000	176.5	11	
F238M72	72	150	38	90	200	150	74	80	41.1	23025	225.8	12	
F238M80	80	180	40	100	200	180	82	90	57.3	28125	275.8	13	

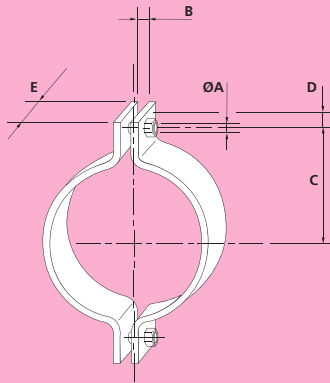
274 CLEVIS PIN



Material: Carbon Steel

PART NUMBER	ROD DIA	A	B	PIN ØC	SPLIT PIN ØD	WEIGHT	LOAD CAPACITY		LOAD GROUP
							kgf	kN	
F274M08	8	70	55	8	4	0.03	230	2.3	0
F274M10	10	70	55	10	5	0.04	360	3.5	1
F274M12	12	75	60	12	5	0.07	530	5.2	2
F274M16	16	75	60	16	5	0.12	1010	9.9	3
F274M20	20	90	75	20	5	0.22	1580	15.5	4
F274M24	24	95	80	24	6	0.34	2280	22.4	5
F274M30	30	105	90	30	6	0.58	3650	35.8	6
F274M36	36	125	110	36	6	1.0	5340	52.4	7
F274M42	42	130	115	42	6	1.4	7400	72.6	8
F274M48	48	150	130	48	8	2.1	9650	94.6	9
F274M56	56	175	155	56	8	3.4	13350	130.9	10
F274M64	64	185	165	64	8	4.7	18000	176.5	11
F274M72	72	205	185	72	8	6.6	23025	225.8	12
F274M80	80	210	190	80	8	8.3	28125	275.8	13

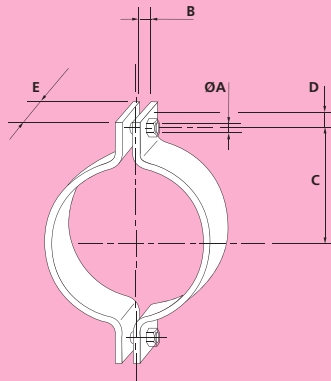
PC2 PIPE CLAMP FOR UNLAGGED PIPE TWO BOLT TYPE



Material: Carbon Steel

Part Number	Pipe O/D		A	B	C		D	E	Weight	Load Capacity at 350C	Compatible with Rod Sizes
	mm	in			mm	in					
PC2-15-0	21.3	0.839	12	15	30	1 ³ / ₁₆	18	35	0.3	390	M8-M16
PC2-20-0	26.7	1.051	12	15	35	1 ³ / ₈	18	35	0.4	390	M8-M16
PC2-25-0	33.4	1.315	12	15	40	1 ⁹ / ₁₆	18	35	0.4	390	M8-M16
PC2-32-0	42.2	1.661	12	15	45	1 ³ / ₄	18	35	0.4	390	M8-M16
PC2-40-0	48.3	1.902	12	15	45	1 ³ / ₄	18	35	0.5	390	M8-M16
PC2-50-0	60.3	2.375	12	15	55	2 ³ / ₁₆	18	35	0.5	390	M8-M16
PC2-50-1	60.3	2.375	16	17	60	2 ³ / ₈	24	40	0.9	740	M8-M16
PC2-50-2	60.3	2.375	16	17	60	2 ³ / ₈	24	40	0.9	740	M8-M16
PC2-65-0	73.0	2.875	12	15	65	2 ⁹ / ₁₆	18	35	0.6	370	M8-M16
PC2-65-1	73.0	2.875	16	17	70	2 ³ / ₄	24	40	1.0	590	M8-M16
PC2-65-2	73.0	2.875	16	17	70	2 ³ / ₄	24	40	1.0	590	M8-M16
PC2-80-0	88.9	3.500	12	15	70	2 ³ / ₄	18	35	0.7	340	M8-M16
PC2-80-1	88.9	3.500	16	17	75	2 ¹⁵ / ₁₆	24	40	1.0	530	M8-M16
PC2-80-2	88.9	3.500	16	17	75	2 ¹⁵ / ₁₆	24	40	1.0	530	M8-M16
PC2-90-0	101.6	4.000	12	15	75	2 ¹⁵ / ₁₆	18	35	0.7	320	M8-M16
PC2-90-1	101.6	4.000	16	17	80	3 ¹ / ₈	24	40	1.1	500	M8-M16
PC2-90-2	101.6	4.000	16	17	85	3 ³ / ₈	24	40	1.4	800	M8-M16
PC2-100-0	114.3	4.500	12	15	85	3 ³ / ₈	18	35	0.8	270	M8-M16
PC2-100-1	114.3	4.500	16	17	90	3 ⁹ / ₁₆	24	40	1.2	420	M8-M16
PC2-100-2	114.3	4.500	16	17	95	3 ³ / ₄	24	40	1.6	740	M8-M16
PC2-100-3	114.3	4.500	20	20	105	4 ¹ / ₈	30	60	3.8	1320	M12-M24
PC2-125-0	141.3	5.563	12	15	95	3 ³ / ₄	18	35	0.9	260	M8-M16
PC2-125-1	141.3	5.563	16	17	105	4 ¹ / ₈	24	40	1.7	680	M8-M16
PC2-125-2	141.3	5.563	16	17	105	4 ¹ / ₈	24	40	1.7	680	M8-M16
PC2-125-3	141.3	5.563	20	20	120	4 ³ / ₄	30	60	4.3	1320	M12-M24
PC2-150-0	168.3	6.625	12	15	115	4 ¹ / ₂	18	40	1.4	340	M8-M16
PC2-150-1	168.3	6.625	16	17	120	4 ³ / ₄	24	40	2.0	590	M8-M16
PC2-150-2	168.3	6.625	16	17	120	4 ³ / ₄	24	40	2.0	590	M8-M16
PC2-150-3	168.3	6.625	20	20	135	5 ⁵ / ₁₆	30	60	4.8	1320	M12-M24
PC2-150-4	168.3	6.625	24	25	135	5 ⁵ / ₁₆	36	60	5.1	1800	M12-M36

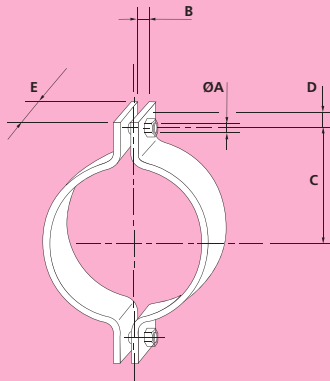
PC2 PIPE CLAMP FOR UNLAGGED PIPE TWO BOLT TYPE



Material: Carbon Steel

Part Number	Pipe O/D		A	B	C		D	E	Weight	Load Capacity at 350C	Compatible with Rod Sizes
	mm	in			mm	in					
PC2-175-0	193.7	7.625	12	15	125	4 ¹⁵ / ₁₆	18	40	1.5	330	M8-M16
PC2-175-1	193.7	7.625	16	17	135	5 ⁵ / ₁₆	24	40	2.2	510	M8-M16
PC2-175-2	193.7	7.625	16	17	140	5 ¹ / ₂	24	45	3.1	800	M8-M16
PC2-175-3	193.7	7.625	20	20	145	5 ¹¹ / ₁₆	30	60	5.2	1320	M12-M24
PC2-175-4	193.7	7.625	24	25	150	5 ⁷ / ₈	36	60	5.6	1590	M12-M36
PC2-175-5	193.7	7.625	30	29	170	6 ¹¹ / ₁₆	45	90	15.1	3050	M12-M36
PC2-200-0	219.1	8.625	12	15	140	5 ¹ / ₂	18	40	1.7	290	M8-M16
PC2-200-1	219.1	8.625	16	17	150	5 ⁷ / ₈	24	40	2.4	460	M8-M16
PC2-200-2	219.1	8.625	16	17	155	6 ¹ / ₈	24	45	3.4	790	M8-M16
PC2-200-3	219.1	8.625	20	20	160	6 ⁵ / ₁₆	30	60	5.7	1320	M12-M24
PC2-200-4	219.1	8.625	24	25	180	7 ¹ / ₁₆	36	65	11.1	1830	M12-M36
PC2-200-5	219.1	8.625	30	29	185	7 ⁵ / ₁₆	45	90	16.3	3050	M12-M36
PC2-200-6	219.1	8.625	36	41	185	7 ⁵ / ₁₆	54	90	17.5	3810	M20-M64
PC2-225-0	244.5	9.625	12	15	150	5 ⁷ / ₈	18	40	1.8	290	M8-M16
PC2-225-1	244.5	9.625	16	17	160	6 ⁵ / ₁₆	24	40	2.6	440	M8-M16
PC2-225-2	244.5	9.625	16	17	165	6 ¹ / ₂	24	45	3.6	760	M8-M16
PC2-225-3	244.5	9.625	20	20	175	6 ⁷ / ₈	30	60	6.2	1320	M12-M24
PC2-225-4	244.5	9.625	24	25	190	7 ¹ / ₂	36	65	11.7	1830	M12-M36
PC2-225-5	244.5	9.625	30	29	195	7 ¹¹ / ₁₆	45	90	17.2	3050	M12-M36
PC2-225-6	244.5	9.625	36	41	200	7 ⁷ / ₈	54	90	18.7	3810	M20-M64
PC2-250-0	273.0	10.75	12	15	170	6 ¹¹ / ₁₆	18	40	2.0	240	M8-M16
PC2-250-1	273.0	10.75	16	17	175	6 ⁷ / ₈	24	40	2.8	410	M8-M16
PC2-250-2	273.0	10.75	16	17	180	7 ¹ / ₁₆	24	45	4.0	710	M8-M16
PC2-250-3	273.0	10.75	20	20	190	7 ¹ / ₂	30	60	6.7	1240	M12-M24
PC2-250-4	273.0	10.75	24	25	205	8 ¹ / ₁₆	36	65	12.7	1830	M12-M36
PC2-250-5	273.0	10.75	30	29	215	8 ⁷ / ₁₆	45	90	18.8	3050	M12-M36
PC2-250-6	273.0	10.75	36	41	215	8 ⁷ / ₁₆	54	90	20.0	3810	M20-M64
PC2-250-7	273.0	10.75	42	45	220	8 ¹¹ / ₁₆	63	110	26.0	5470	M30-M64

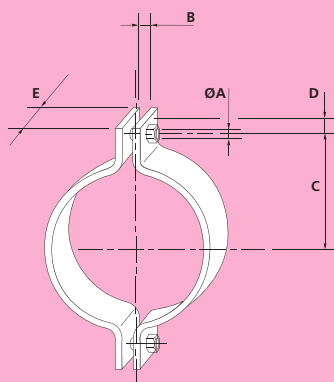
PC2 PIPE CLAMP FOR UNLAGGED PIPE TWO BOLT TYPE



Material: Carbon Steel

Part Number	Pipe O/D		A	B	C		D	E	Weight	Load Capacity at 350C	Compatible with Rod Sizes
	mm	in			mm	in					
PC2-300-1	323.9	12.75	16	17	200	7 ⁷ / ₈	24	40	3.2	380	M8-M16
PC2-300-2	323.9	12.75	16	17	205	8 ¹ / ₁₆	24	45	4.5	650	M8-M16
PC2-300-3	323.9	12.75	20	20	215	8 ⁷ / ₁₆	30	60	7.6	1130	M12-M24
PC2-300-4	323.9	12.75	24	25	235	9 ¹ / ₄	36	65	14.4	1830	M12-M36
PC2-300-5	323.9	12.75	30	29	240	9 ⁷ / ₁₆	45	90	21.0	3050	M12-M36
PC2-300-6	323.9	12.75	36	41	245	9 ⁵ / ₈	54	90	22.5	3810	M20-M64
PC2-300-7	323.9	12.75	42	45	260	10 ¹ / ₄	63	110	36.1	5470	M30-M64
PC2-300-8	323.9	12.75	48	52	265	10 ⁷ / ₁₆	72	130	44.9	8760	M42-M80
PC2-350-1	355.6	14.00	16	17	225	8 ⁷ / ₈	24	45	4.9	570	M8-M16
PC2-350-2	355.6	14.00	16	17	225	8 ⁷ / ₈	24	45	4.9	570	M8-M16
PC2-350-3	355.6	14.00	20	20	230	9 ¹ / ₁₆	30	60	8.1	1080	M12-M24
PC2-350-4	355.6	14.00	24	25	250	9 ¹³ / ₁₆	36	65	15.4	1830	M12-M36
PC2-350-5	355.6	14.00	30	29	255	10 ¹ / ₁₆	45	90	22.3	3050	M12-M36
PC2-350-6	355.6	14.00	36	41	260	10 ¹ / ₄	54	90	23.8	3810	M20-M64
PC2-350-7	355.6	14.00	42	45	275	10 ¹³ / ₁₆	63	110	38.1	5470	M30-M64
PC2-350-8	355.6	14.00	48	52	280	11	72	130	47.2	8250	M42-M80
PC2-350-9	355.6	14.00	56	58	295	11 ⁵ / ₈	84	150	69.5	10000	M42-M80
PC2-400-1	406.4	16.00	16	17	250	9 ¹³ / ₁₆	24	45	5.5	530	M8-M16
PC2-400-2	406.4	16.00	16	17	255	10 ¹ / ₁₆	24	60	8.7	800	M8-M16
PC2-400-3	406.4	16.00	20	20	265	10 ⁷ / ₁₆	30	55	10.5	1320	M12-M24
PC2-400-4	406.4	16.00	24	25	275	10 ¹³ / ₁₆	36	65	17.0	1830	M12-M36
PC2-400-5	406.4	16.00	30	29	285	11 ¹ / ₄	45	90	24.8	3050	M12-M36
PC2-400-6	406.4	16.00	36	41	285	11 ¹ / ₄	54	110	31.3	3810	M20-M64
PC2-400-7	406.4	16.00	42	45	300	11 ¹³ / ₁₆	63	110	41.4	5470	M30-M64
PC2-400-8	406.4	16.00	48	52	305	12	72	130	51.1	7530	M42-M80
PC2-400-9	406.4	16.00	56	58	325	12 ¹³ / ₁₆	84	150	75.5	10000	M42-M80
PC2-400-10	406.4	16.00	64	65	345	13 ⁹ / ₁₆	96	180	125.9	20510	M42-M80

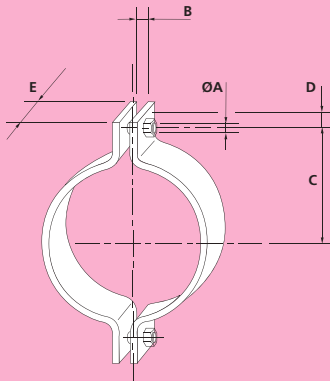
PC2 PIPE CLAMP FOR UNLAGGED PIPE TWO BOLT TYPE



Material: Carbon Steel

Part Number	Pipe O/D		A	B	C		D	E	Weight	Load Capacity at 350C	Compatible with Rod Sizes
	mm	in			mm	in					
PC2-450-2	457.2	18.00	16	17	280	11	24	60	9.6	800	M8-M16
PC2-450-3	457.2	18.00	20	20	290	117/16	30	55	11.5	1260	M12-M24
PC2-450-4	457.2	18.00	24	25	305	12	36	65	18.8	1830	M12-M36
PC2-450-5	457.2	18.00	30	29	310	12 ³ / ₁₆	45	90	27.0	3050	M12-M36
PC2-450-6	457.2	18.00	36	41	315	12 ³ / ₈	54	110	34.3	3810	M20-M64
PC2-450-7	457.2	18.00	42	45	330	13	63	110	45.2	5470	M30-M64
PC2-450-8	457.2	18.00	48	52	335	13 ³ / ₁₆	72	150	63.4	7780	M42-M80
PC2-450-9	457.2	18.00	56	58	350	13 ³ / ₄	84	150	81.0	10000	M42-M80
PC2-450-10	457.2	18.00	64	65	375	14 ³ / ₄	96	180	135.7	20510	M42-M80
PC2-450-11	457.2	18.00	72	69	385	15 ³ / ₁₆	108	180	144.6	21500	M42-M80
PC2-500-2	508	20.00	16	17	305	12	24	60	10.5	800	M8-M16
PC2-500-3	508	20.00	20	20	315	12 ³ / ₈	30	55	12.5	1200	M12-M24
PC2-500-4	508	20.00	24	25	330	13	36	65	20.4	1830	M12-M36
PC2-500-5	508	20.00	30	29	335	13 ³ / ₁₆	45	90	29.2	3050	M12-M36
PC2-500-6	508	20.00	36	41	340	13 ³ / ₈	54	110	37.0	3680	M20-M64
PC2-500-7	508	20.00	42	45	355	14	63	110	48.6	5470	M30-M64
PC2-500-8	508	20.00	48	52	370	14 ³ / ₁₆	72	150	81.7	10420	M42-M80
PC2-500-9	508	20.00	56	58	380	14 ¹⁵ / ₁₆	84	150	87.2	9870	M42-M80
PC2-500-10	508	20.00	64	65	405	15 ¹⁵ / ₁₆	96	180	145.4	20380	M42-M80
PC2-500-11	508	20.00	72	69	410	16 ¹ / ₈	108	180	153.2	20020	M42-M80
PC2-500-12	508	20.00	80	77	420	16 ⁹ / ₁₆	120	220	194.9	23700	M72-M80
PC2-550-3	558.8	22.00	20	20	340	13 ³ / ₈	30	55	13.5	1130	M12-M24
PC2-550-4	558.8	22.00	24	25	355	14	36	65	22.0	1830	M12-M36
PC2-550-5	558.8	22.00	30	29	360	14 ³ / ₁₆	45	90	31.4	2920	M12-M36
PC2-550-6	558.8	22.00	36	41	375	14 ³ / ₄	54	110	49.7	3810	M20-M64
PC2-550-7	558.8	22.00	42	45	385	15 ³ / ₁₆	63	130	61.3	5470	M30-M64
PC2-550-8	558.8	22.00	48	52	400	15 ³ / ₄	72	150	87.9	9480	M42-M80
PC2-550-9	558.8	22.00	56	58	425	16 ³ / ₄	84	150	123.9	10000	M42-M80
PC2-550-10	558.8	22.00	64	65	430	16 ¹⁵ / ₁₆	96	180	154.0	19130	M42-M80
PC2-550-11	558.8	22.00	72	69	440	17 ³ / ₁₆	108	180	162.9	18340	M42-M80
PC2-550-12	558.8	22.00	80	77	465	18 ³ / ₁₆	120	200	235.6	31070	M72-M80
PC2-550-13	558.8	22.00	80	85	460	18 ¹ / ₈	120	200	233.9	30830	M72-M80

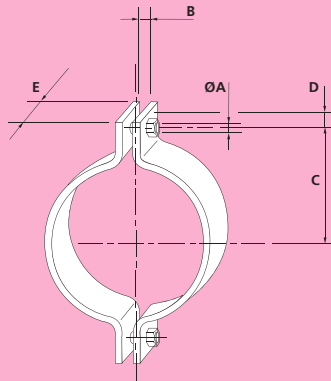
PC2 PIPE CLAMP FOR UNLAGGED PIPE TWO BOLT TYPE



Material: Carbon Steel

Part Number	Pipe O/D		A	B	C		D	E	Weight	Load Capacity at 350C	Compatible with Rod Sizes
	mm	in			mm	in					
PC2-600-3	609.6	24.00	20	20	370	14 ⁹ / ₁₆	30	55	14.7	1010	M12-M24
PC2-600-4	609.6	24.00	24	25	385	15 ³ / ₁₆	36	65	23.8	1830	M12-M36
PC2-600-5	609.6	24.00	30	29	390	15 ³ / ₈	45	90	34.0	2660	M12-M36
PC2-600-6	609.6	24.00	36	41	405	15 ¹⁵ / ₁₆	54	110	53.5	3810	M20-M64
PC2-600-7	609.6	24.00	42	45	410	16 ¹ / ₈	63	130	65.3	5470	M30-M64
PC2-600-8	609.6	24.00	48	52	425	16 ³ / ₄	72	150	93.4	9000	M42-M80
PC2-600-9	609.6	24.00	56	58	450	17 ¹¹ / ₁₆	84	150	131.2	10000	M42-M80
PC2-600-10	609.6	24.00	64	65	460	18 ¹ / ₈	96	180	163.8	17670	M42-M80
PC2-600-11	609.6	24.00	72	69	465	18 ⁵ / ₁₆	108	200	189.0	19260	M42-M80
PC2-600-12	609.6	24.00	80	77	490	19 ⁵ / ₁₆	120	200	247.6	29340	M72-M80
PC2-600-13	609.6	24.00	80	85	490	19 ⁹ / ₁₆	120	200	247.4	29610	M72-M80
PC2-650-3	660.4	26.00	20	20	405	15 ¹⁵ / ₁₆	30	65	24.8	1320	M12-M24
PC2-650-4	660.4	26.00	24	25	410	16 ¹ / ₈	36	65	25.4	1830	M12-M36
PC2-650-5	660.4	26.00	30	29	415	16 ⁵ / ₁₆	45	90	36.2	2530	M12-M36
PC2-650-6	660.4	26.00	36	41	430	16 ¹⁵ / ₁₆	54	110	56.9	3810	M20-M64
PC2-650-7	660.4	26.00	42	45	435	17 ¹ / ₈	63	150	79.5	5470	M30-M64
PC2-650-8	660.4	26.00	48	52	450	17 ¹¹ / ₁₆	72	150	98.8	8560	M42-M80
PC2-650-9	660.4	26.00	56	58	480	18 ⁷ / ₈	84	150	139.4	10000	M42-M80
PC2-650-10	660.4	26.00	64	65	485	19 ¹ / ₈	96	180	172.6	16770	M42-M80
PC2-650-11	660.4	26.00	72	69	490	19 ⁵ / ₁₆	108	200	198.7	18270	M42-M80
PC2-650-12	660.4	26.00	80	77	520	20 ¹ / ₂	120	200	261.1	27260	M72-M80
PC2-650-13	660.4	26.00	80	85	515	20 ¹ / ₄	120	220	283.0	30830	M72-M80
PC2-700-3	711.2	28.00	20	20	430	16 ¹⁵ / ₁₆	30	65	26.4	1320	M12-M24
PC2-700-4	711.2	28.00	24	25	435	17 ¹ / ₈	36	65	27.0	1830	M12-M36
PC2-700-5	711.2	28.00	30	29	440	17 ⁵ / ₁₆	45	90	38.4	2420	M12-M36
PC2-700-6	711.2	28.00	36	41	455	17 ¹⁵ / ₁₆	54	110	60.3	3810	M20-M64
PC2-700-7	711.2	28.00	42	45	460	18 ¹ / ₈	63	150	84.0	5470	M30-M64
PC2-700-8	711.2	28.00	48	52	475	18 ¹¹ / ₁₆	72	150	104.3	8170	M42-M80
PC2-700-9	711.2	28.00	56	58	505	19 ⁷ / ₈	84	150	146.5	10000	M42-M80
PC2-700-10	711.2	28.00	64	65	510	20 ¹ / ₁₆	96	180	181.2	15990	M42-M80
PC2-700-11	711.2	28.00	72	69	520	20 ¹ / ₂	108	220	229.0	18700	M42-M80
PC2-700-12	711.2	28.00	80	77	545	21 ⁷ / ₁₆	120	200	273.0	25950	M72-M80
PC2-700-13	711.2	28.00	80	85	545	21 ⁷ / ₁₆	120	220	297.9	28790	M72-M80

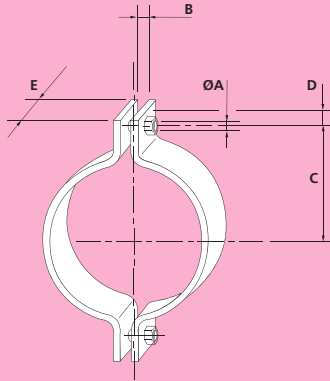
PC2 PIPE CLAMP FOR UNLAGGED PIPE TWO BOLT TYPE



Material: Carbon Steel

Part Number	Pipe O/D		A	B	C		D	E	Weight	Load Capacity at 350C	Compatible with Rod Sizes
	mm	in			mm	in					
PC2-750-4	762.0	30.00	24	25	460	18 ¹ / ₈	36	65	28.6	1780	M12-M36
PC2-750-5	762.0	30.00	30	29	465	18 ⁵ / ₁₆	45	90	40.6	2350	M12-M36
PC2-750-6	762.0	30.00	36	41	480	18 ⁷ / ₈	54	110	63.7	3810	M20-M64
PC2-750-7	762.0	30.00	42	45	485	19 ¹ / ₈	63	150	88.7	5470	M30-M64
PC2-750-8	762.0	30.00	48	52	505	19 ⁷ / ₈	72	150	110.6	7610	M42-M80
PC2-750-9	762.0	30.00	56	58	530	20 ⁷ / ₈	84	150	153.9	10000	M42-M80
PC2-750-10	762.0	30.00	64	65	540	21 ¹ / ₄	96	180	191.1	14970	M42-M80
PC2-750-11	762.0	30.00	72	69	565	22 ¹ / ₄	108	200	275.1	25190	M42-M80
PC2-750-12	762.0	30.00	80	77	570	22 ⁷ / ₁₆	120	200	285.1	24860	M72-M80
PC2-750-13	762.0	30.00	80	85	570	22 ¹ / ₁₆	120	240	337.6	30070	M72-M80
PC2-800-4	812.8	32.00	24	25	485	19 ¹ / ₈	36	65	30.2	1730	M12-M36
PC2-800-5	812.8	32.00	30	29	490	19 ⁵ / ₁₆	45	110	52.1	2780	M12-M36
PC2-800-6	812.8	32.00	36	41	510	20 ¹ / ₁₆	54	110	67.5	3810	M20-M64
PC2-800-7	812.8	32.00	42	45	525	20 ¹ / ₁₆	63	150	113.0	5470	M30-M64
PC2-800-8	812.8	32.00	48	52	550	21 ⁵ / ₈	72	150	155.9	10910	M42-M80
PC2-800-9	812.8	32.00	56	58	560	22 ¹ / ₁₆	84	150	162.3	10000	M42-M80
PC2-800-10	812.8	32.00	64	65	565	22 ¹ / ₄	96	180	199.9	14410	M42-M80
PC2-800-11	812.8	32.00	72	69	590	23 ¹ / ₄	108	200	287.4	24240	M42-M80
PC2-800-12	812.8	32.00	80	77	600	23 ⁵ / ₈	120	200	299.0	23420	M72-M80
PC2-800-13	812.8	32.00	80	85	600	23 ⁵ / ₈	120	240	354.2	28320	M72-M80
PC2-850-4	863.6	34.00	24	25	510	20 ¹ / ₁₆	36	65	31.8	1670	M12-M36
PC2-850-5	863.6	34.00	30	29	515	21 ¹ / ₄	45	110	54.8	2690	M12-M36
PC2-850-6	863.6	34.00	36	41	535	21 ¹ / ₁₆	54	110	70.9	3810	M20-M64
PC2-850-7	863.6	34.00	42	45	550	21 ⁵ / ₈	63	150	118.5	5470	M30-M64
PC2-850-8	863.6	34.00	48	52	575	22 ⁵ / ₈	72	150	163.3	10910	M42-M80
PC2-850-9	863.6	34.00	56	58	585	23 ¹ / ₁₆	84	150	169.5	10000	M42-M80
PC2-850-10	863.6	34.00	64	65	590	23 ¹ / ₄	96	180	208.7	13870	M42-M80
PC2-850-11	863.6	34.00	72	69	620	24 ⁷ / ₁₆	108	200	300.9	22830	M42-M80
PC2-850-12	863.6	34.00	80	77	625	24 ⁵ / ₈	120	220	340.0	24770	M72-M80
PC2-850-13	863.6	34.00	80	85	625	24 ⁵ / ₈	120	260	397.4	29490	M72-M80

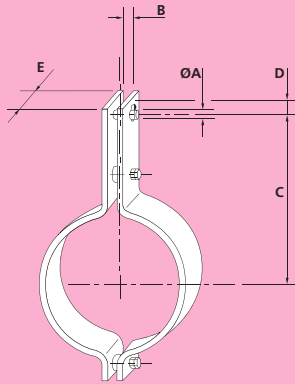
PC2 PIPE CLAMP FOR UNLAGGED PIPE TWO BOLT TYPE



Material: Carbon Steel

Part Number	Pipe O/D		A	B	C		D	E	Weight	Load Capacity at 350C	Compatible with Rod Sizes
	mm	in			mm	in					
PC2-900-4	914.4	36.00	24	25	535	21 ¹ / ₁₆	36	65	33.5	1630	M12-M36
PC2-900-5	914.4	36.00	30	29	545	21 ⁷ / ₁₆	45	110	57.9	2490	M12-M36
PC2-900-6	914.4	36.00	36	41	560	22 ¹ / ₁₆	54	110	74.3	3760	M20-M64
PC2-900-7	914.4	36.00	42	45	575	22 ⁵ / ₈	63	150	124.1	5470	M30-M64
PC2-900-8	914.4	36.00	48	52	605	23 ¹³ / ₁₆	72	150	171.6	10910	M42-M80
PC2-900-9	914.4	36.00	56	58	610	24	84	150	176.9	10000	M42-M80
PC2-900-10	914.4	36.00	64	65	620	24 ⁷ / ₁₆	96	200	241.9	14560	M42-M80
PC2-900-11	914.4	36.00	72	69	645	25 ³ / ₈	108	200	313.2	22080	M42-M80
PC2-900-12	914.4	36.00	80	77	655	25 ¹³ / ₁₆	120	220	355.2	23470	M72-M80
PC2-900-13	914.4	36.00	80	85	650	25 ⁹ / ₁₆	120	260	413.4	28500	M72-M80
PC2-950-4	965.2	38.00	24	25	565	22 ¹ / ₄	36	90	48.6	1830	M12-M36
PC2-950-5	965.2	38.00	30	29	570	22 ⁷ / ₁₆	45	110	60.7	2440	M12-M36
PC2-950-6	965.2	38.00	36	41	585	23 ¹ / ₁₆	54	110	77.7	3660	M20-M64
PC2-950-7	965.2	38.00	42	45	605	23 ¹³ / ₁₆	63	150	130.4	5470	M30-M64
PC2-950-8	965.2	38.00	48	52	630	24 ¹³ / ₁₆	72	150	179.0	10910	M42-M80
PC2-950-9	965.2	38.00	56	58	635	25	84	150	184.3	10000	M42-M80
PC2-950-10	965.2	38.00	64	65	645	25 ³ / ₈	96	200	251.7	14130	M42-M80
PC2-950-11	965.2	38.00	72	69	675	26 ⁹ / ₁₆	108	200	327.0	20950	M42-M80
PC2-950-12	965.2	38.00	80	77	680	26 ³ / ₄	120	240	400.3	24800	M72-M80
PC2-950-13	965.2	38.00	80	85	680	26 ³ / ₄	120	280	462.9	29130	M72-M80
PC2-1000-4	1016.0	40.00	24	25	590	23 ¹ / ₄	36	90	50.8	1810	M12-M36
PC2-1000-5	1016.0	40.00	30	29	595	23 ⁷ / ₁₆	45	110	63.4	2370	M12-M36
PC2-1000-6	1016.0	40.00	36	41	610	24	54	130	95.5	3810	M20-M64
PC2-1000-7	1016.0	40.00	42	45	630	24 ¹³ / ₁₆	63	150	135.9	5470	M30-M64
PC2-1000-8	1016.0	40.00	48	52	655	25 ¹³ / ₁₆	72	150	186.3	10910	M42-M80
PC2-1000-9	1016.0	40.00	56	58	665	26 ³ / ₁₆	84	150	192.6	10000	M42-M80
PC2-1000-10	1016.0	40.00	64	65	670	26 ³ / ₈	96	200	261.5	13690	M42-M80
PC2-1000-11	1016.0	40.00	72	69	700	27 ⁹ / ₁₆	108	200	339.1	20290	M42-M80
PC2-1000-12	1016.0	40.00	80	77	705	27 ³ / ₄	120	240	414.8	24010	M72-M80
PC2-1000-13	1016.0	40.00	80	85	705	27 ³ / ₄	120	280	479.9	28200	M72-M80

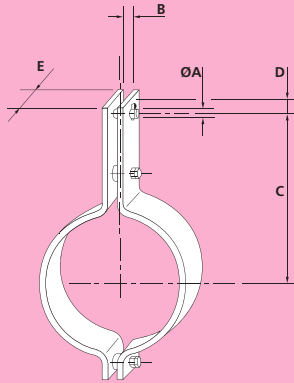
PC3 PIPE CLAMP THREE BOLT TYPE



Material: Carbon Steel to 400°C Alloy Steel above

Part Number	Pipe O/D		A	B	C		D	E	Weight	Load Capacity (kgf) at Temperature C							Compatible with Rod Sizes	
	mm	in			mm	in				mm	mm	350	400	490	530	560		580
PC3-15-0-400	21.3	0.839	12	15	100	3 ¹⁵ / ₁₆	18	35	0.6	390	390							M8-M16
PC3-15-0-490	21.3	0.839	12	15	110	4 ⁵ / ₁₆	18	40	0.8	390	390	390	390	390	390	340		M8-M16
PC3-15-0-530	21.3	0.839	12	15	110	4 ⁵ / ₁₆	18	40	0.8	390	390	390	390	390	390	340		M8-M16
PC3-15-0-560	21.3	0.839	12	15	110	4 ⁵ / ₁₆	18	40	0.8	390	390	390	390	390	390	390		M8-M16
PC3-15-0-600	21.3	0.839	12	15	110	4 ⁵ / ₁₆	18	40	0.8	390	390	390	390	390	390	390		M8-M16
PC3-20-0-400	26.7	1.051	12	15	100	3 ¹⁵ / ₁₆	18	35	0.6	390	390							M8-M16
PC3-20-0-490	26.7	1.051	12	15	110	4 ⁵ / ₁₆	18	40	0.8	390	390	390	390	390	390	340		M8-M16
PC3-20-0-530	26.7	1.051	12	15	110	4 ⁵ / ₁₆	18	40	0.8	390	390	390	390	390	390	340		M8-M16
PC3-20-0-560	26.7	1.051	12	15	110	4 ⁵ / ₁₆	18	40	0.8	390	390	390	390	390	390	390		M8-M16
PC3-20-0-600	26.7	1.051	12	15	110	4 ⁵ / ₁₆	18	40	0.8	390	390	390	390	390	390	390		M8-M16
PC3-25-0-400	33.4	1.315	12	15	100	3 ¹⁵ / ₁₆	18	35	0.6	390	390							M8-M16
PC3-25-0-490	33.4	1.315	12	15	120	4 ³ / ₄	18	40	0.9	390	390	390	390	390	380	300		M8-M16
PC3-25-0-530	33.4	1.315	12	15	120	4 ³ / ₄	18	40	0.9	390	390	390	390	390	380	300		M8-M16
PC3-25-0-560	33.4	1.315	12	15	120	4 ³ / ₄	18	40	0.9	390	390	390	390	390	390	390		M8-M16
PC3-25-0-600	33.4	1.315	12	15	120	4 ³ / ₄	18	40	0.9	390	390	390	390	390	390	390		M8-M16
PC3-32-0-400	42.2	1.661	12	15	110	4 ⁵ / ₁₆	18	35	0.6	390	390							M8-M16
PC3-32-0-490	42.2	1.661	12	15	120	4 ³ / ₄	18	40	0.9	390	390	390	390	390	300	240		M8-M16
PC3-32-0-530	42.2	1.661	12	15	120	4 ³ / ₄	18	40	0.9	390	390	390	390	390	300	240		M8-M16
PC3-32-0-560	42.2	1.661	12	15	120	4 ³ / ₄	18	40	0.9	390	390	390	390	390	390	320		M8-M16
PC3-32-0-600	42.2	1.661	12	15	120	4 ³ / ₄	18	40	0.9	390	390	390	390	390	390	320		M8-M16
PC3-40-0-400	48.3	1.902	12	15	110	4 ⁵ / ₁₆	18	35	0.7	390	390							M8-M16
PC3-40-0-490	48.3	1.902	12	15	120	4 ³ / ₄	18	40	0.9	390	390	390	390	350	250	210		M8-M16
PC3-40-0-530	48.3	1.902	12	15	120	4 ³ / ₄	18	40	0.9	390	390	390	390	350	250	210		M8-M16
PC3-40-0-560	48.3	1.902	12	15	120	4 ³ / ₄	18	40	0.9	390	390	390	390	390	360	270		M8-M16
PC3-40-0-600	48.3	1.902	12	15	120	4 ³ / ₄	18	40	0.9	390	390	390	390	390	360	270		M8-M16
PC3-50-0-400	60.3	2.375	12	15	120	4 ³ / ₄	18	35	0.7	390	390							M8-M16
PC3-50-1-400	60.3	2.375	16	17	120	4 ³ / ₄	24	40	1.0	800	740							M8-M16
PC3-50-2-400	60.3	2.375	16	17	120	4 ³ / ₄	24	40	1.0	800	740							M8-M16
PC3-50-0-490	60.3	2.375	12	15	130	5 ¹ / ₈	18	40	1.0	390	390	390	390	300	220	170		M8-M16
PC3-50-1-490	60.3	2.375	16	17	130	5 ¹ / ₈	24	40	1.0	800	800	730	510	310	220	180		M8-M16
PC3-50-2-490	60.3	2.375	16	17	130	5 ¹ / ₈	24	40	1.0	800	800	730	510	310	220	180		M8-M16
PC3-50-0-530	60.3	2.375	12	15	130	5 ¹ / ₈	18	40	1.0	390	390	390	390	300	220	170		M8-M16
PC3-50-1-530	60.3	2.375	16	17	130	5 ¹ / ₈	24	40	1.0	800	800	730	510	310	220	180		M8-M16
PC3-50-2-530	60.3	2.375	16	17	130	5 ¹ / ₈	24	50	2.1	800	800	800	800	800	800	640		M8-M16
PC3-50-0-560	60.3	2.375	12	15	130	5 ¹ / ₈	18	40	1.0	390	390	390	390	380	300	230		M8-M16
PC3-50-1-560	60.3	2.375	16	17	130	5 ¹ / ₈	24	40	1.0	800	800	740	550	390	310	240		M8-M16
PC3-50-2-560	60.3	2.375	16	17	130	5 ¹ / ₈	24	50	2.1	800	800	800	800	800	800	800		M8-M16
PC3-50-0-600	60.3	2.375	12	15	130	5 ¹ / ₈	18	40	1.0	390	390	390	390	380	300	230		M8-M16
PC3-50-1-600	60.3	2.375	16	17	130	5 ¹ / ₈	24	50	2.1	800	800	800	800	800	800	800		M8-M16
PC3-50-2-600	60.3	2.375	16	17	130	5 ¹ / ₈	24	50	2.1	800	800	800	800	800	800	800		M8-M16

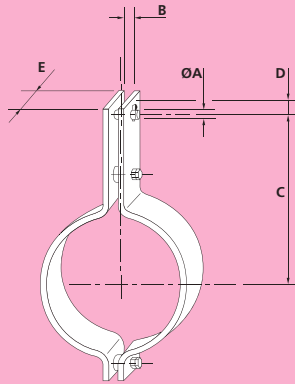
PC3 PIPE CLAMP THREE BOLT TYPE



Material: Carbon Steel to 400°C Alloy Steel above

Part Number	Pipe O/D		A	B	C		D	E	Weight	Load Capacity (kgf) at Temperature C						Compatible with Rod Sizes		
	mm	in			mm	in				mm	in	350	400	490	530		560	580
PC3-65-0-400	73.0	2.875	12	15	130	5 1/8	18	35	0.8	370	340							M8-M16
PC3-65-1-400	73.0	2.875	16	17	130	5 1/8	24	40	1.1	650	590							M8-M16
PC3-65-2-400	73.0	2.875	16	17	130	5 1/8	24	40	1.1	650	590							M8-M16
PC3-65-0-490	73.0	2.875	12	15	140	5 1/2	18	40	1.1	390	390	390	390	270	190	150		M8-M16
PC3-65-1-490	73.0	2.875	16	17	140	5 1/2	24	40	1.2	670	670	590	440	270	200	150		M8-M16
PC3-65-2-490	73.0	2.875	16	17	140	5 1/2	24	40	1.2	670	670	590	440	270	200	150		M8-M16
PC3-65-0-530	73.0	2.875	12	15	140	5 1/2	18	40	1.1	390	390	390	390	270	190	150		M8-M16
PC3-65-1-530	73.0	2.875	16	17	140	5 1/2	24	40	1.2	670	670	590	440	270	200	150		M8-M16
PC3-65-2-530	73.0	2.875	16	17	140	5 1/2	24	50	2.3	800	800	800	800	800	740	550		M8-M16
PC3-65-0-560	73.0	2.875	12	15	150	5 7/8	18	40	1.1	390	390	390	390	330	260	200		M8-M16
PC3-65-1-560	73.0	2.875	16	17	150	5 7/8	24	50	2.4	800	800	800	800	800	800	760		M8-M16
PC3-65-2-560	73.0	2.875	16	17	150	5 7/8	24	50	2.4	800	800	800	800	800	800	760		M8-M16
PC3-65-0-600	73.0	2.875	12	15	150	5 7/8	18	50	2.3	390	390	390	390	390	390	390		M8-M16
PC3-65-1-600	73.0	2.875	16	17	150	5 7/8	24	50	2.4	800	800	800	800	800	800	760		M8-M16
PC3-65-2-600	73.0	2.875	16	17	150	5 7/8	24	50	2.4	800	800	800	800	800	800	760		M8-M16
PC3-80-0-400	88.9	3.5	12	15	150	5 7/8	18	35	0.9	340	310							M8-M16
PC3-80-1-400	88.9	3.5	16	17	150	5 7/8	24	40	1.2	600	540							M8-M16
PC3-80-2-400	88.9	3.5	16	17	150	5 7/8	24	40	1.2	600	540							M8-M16
PC3-80-0-490	88.9	3.5	12	15	150	5 7/8	18	40	1.2	390	390	390	380	230	160	130		M8-M16
PC3-80-1-490	88.9	3.5	16	17	150	5 7/8	24	40	1.2	620	620	540	380	230	170	130		M8-M16
PC3-80-2-490	88.9	3.5	16	17	150	5 7/8	24	40	1.2	620	620	540	380	230	170	130		M8-M16
PC3-80-0-530	88.9	3.5	12	15	150	5 7/8	18	40	1.2	390	390	390	380	230	160	130		M8-M16
PC3-80-1-530	88.9	3.5	16	17	150	5 7/8	24	40	1.2	620	620	540	380	230	170	130		M8-M16
PC3-80-2-530	88.9	3.5	16	17	150	5 7/8	24	50	2.5	800	800	800	800	800	570	440		M8-M16
PC3-80-0-560	88.9	3.5	12	15	160	6 1/8	18	40	1.2	390	390	390	390	290	230	170		M8-M16
PC3-80-1-560	88.9	3.5	16	17	160	6 1/8	24	50	2.6	800	800	800	800	800	770	600		M8-M16
PC3-80-2-560	88.9	3.5	16	17	160	6 1/8	24	50	2.6	800	800	800	800	800	770	600		M8-M16
PC3-80-0-600	88.9	3.5	12	15	160	6 1/8	18	50	2.5	390	390	390	390	390	390	390		M8-M16
PC3-80-1-600	88.9	3.5	16	17	160	6 1/8	24	50	2.6	800	800	800	800	800	770	600		M8-M16
PC3-80-2-600	88.9	3.5	16	17	160	6 1/8	24	50	2.6	800	800	800	800	800	770	600		M8-M16
PC3-90-0-400	101.6	4	12	15	170	6 1/4	18	35	1.0	320	290							M8-M16
PC3-90-1-400	101.6	4	16	17	170	6 1/4	24	40	1.4	490	450							M8-M16
PC3-90-2-400	101.6	4	16	17	170	6 1/4	24	40	1.8	800	800							M8-M16
PC3-90-0-490	101.6	4	12	15	180	7 1/8	18	40	1.3	390	390	390	310	180	130	110		M8-M16
PC3-90-1-490	101.6	4	16	17	180	7 1/8	24	40	1.4	510	510	440	310	190	140	110		M8-M16
PC3-90-2-490	101.6	4	16	17	180	7 1/8	24	50	2.8	800	800	800	800	730	530	410		M8-M16
PC3-90-0-530	101.6	4	12	15	180	7 1/8	18	40	1.3	390	390	390	310	180	130	110		M8-M16
PC3-90-1-530	101.6	4	16	17	180	7 1/8	24	50	2.8	800	800	800	800	730	530	410		M8-M16
PC3-90-2-530	101.6	4	16	17	180	7 1/8	24	50	2.8	800	800	800	800	730	530	410		M8-M16
PC3-90-0-560	101.6	4	12	15	180	7 1/8	18	40	1.3	390	390	390	330	230	190	140		M8-M16
PC3-90-1-560	101.6	4	16	17	180	7 1/8	24	50	2.8	800	800	800	800	800	720	550		M8-M16
PC3-90-2-560	101.6	4	16	17	180	7 1/8	24	50	2.8	800	800	800	800	800	720	550		M8-M16
PC3-90-0-600	101.6	4	12	15	180	7 1/8	18	50	2.7	390	390	390	390	390	390	390		M8-M16
PC3-90-1-600	101.6	4	16	17	180	7 1/8	24	50	2.8	800	800	800	800	800	720	550		M8-M16
PC3-90-2-600	101.6	4	16	17	180	7 1/8	24	50	2.8	800	800	800	800	800	720	550		M8-M16

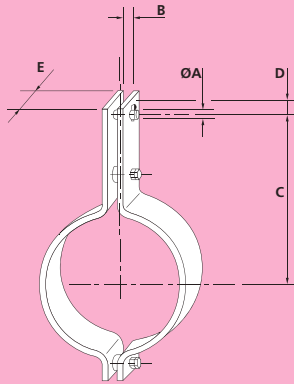
PC3 PIPE CLAMP THREE BOLT TYPE



Material: Carbon Steel to 400°C Alloy Steel above

Part Number	Pipe O/D		A	B	C		D	E	Weight	Load Capacity (kgf) at Temperature C								Compatible with Rod Sizes
	mm	in			mm	mm				mm	in	mm	mm	kgf	350	400	490	
PC3-100-0-400	114.3	4.5	12	15	180	7 ¹ / ₁₆	18	35	1.0	270	240							M8-M16
PC3-100-1-400	114.3	4.5	16	17	180	7 ¹ / ₁₆	24	40	1.5	470	430							M8-M16
PC3-100-2-400	114.3	4.5	16	17	180	7 ¹ / ₁₆	24	40	1.9	800	740							M8-M16
PC3-100-3-400	114.3	4.5	20	20	180	7 ¹ / ₁₆	30	60	4.3	1170	1170							M12-M24
PC3-100-0-490	114.3	4.5	12	15	190	7 ¹ / ₂	18	40	1.4	390	390	390	300	180	130	100		M8-M16
PC3-100-1-490	114.3	4.5	16	17	190	7 ¹ / ₂	24	40	1.5	490	490	430	300	180	130	110		M8-M16
PC3-100-2-490	114.3	4.5	16	17	190	7 ¹ / ₂	24	50	3.0	800	800	800	800	650	460	350		M8-M16
PC3-100-3-490	114.3	4.5	20	20	190	7 ¹ / ₂	30	50	3.1	1320	1320	1320	1170	740	530	400		M12-M24
PC3-100-0-530	114.3	4.5	12	15	190	7 ¹ / ₂	18	40	1.4	390	390	390	300	180	130	100		M8-M16
PC3-100-1-530	114.3	4.5	16	17	190	7 ¹ / ₂	24	50	3.0	800	800	800	800	650	460	350		M8-M16
PC3-100-2-530	114.3	4.5	16	17	190	7 ¹ / ₂	24	50	3.0	800	800	800	800	650	460	350		M8-M16
PC3-100-3-530	114.3	4.5	20	20	190	7 ¹ / ₂	30	50	3.1	1320	1320	1320	1170	740	530	400		M12-M24
PC3-100-0-560	114.3	4.5	12	15	190	7 ¹ / ₂	18	50	2.9	390	390	390	390	390	390	390		M8-M16
PC3-100-1-560	114.3	4.5	16	17	190	7 ¹ / ₂	24	50	3.0	800	800	800	800	790	630	490		M8-M16
PC3-100-2-560	114.3	4.5	16	17	190	7 ¹ / ₂	24	50	3.0	800	800	800	800	790	630	490		M8-M16
PC3-100-3-560	114.3	4.5	20	20	190	7 ¹ / ₂	30	60	3.7	1320	1320	1320	1320	1070	850	660		M12-M24
PC3-100-0-600	114.3	4.5	12	15	190	7 ¹ / ₂	18	50	2.9	390	390	390	390	390	390	390		M8-M16
PC3-100-1-600	114.3	4.5	16	17	190	7 ¹ / ₂	24	50	3.0	800	800	800	800	790	630	490		M8-M16
PC3-100-2-600	114.3	4.5	16	17	190	7 ¹ / ₂	24	60	3.6	800	800	800	800	800	750	580		M8-M16
PC3-100-3-600	114.3	4.5	20	20	190	7 ¹ / ₂	30	70	5.1	1320	1320	1320	1320	1320	1090		M12-M24	
PC3-125-0-410	141.3	5.5625	12	15	190	7 ¹ / ₂	18	35	1.1	260	230							M8-M16
PC3-125-1-400	141.3	5.5625	16	17	190	7 ¹ / ₂	24	40	2.1	680	610							M8-M16
PC3-125-2-400	141.3	5.5625	16	17	190	7 ¹ / ₂	24	40	2.1	680	610							M8-M16
PC3-125-3-400	141.3	5.5625	20	20	190	7 ¹ / ₂	30	60	4.7	1030	1030							M12-M24
PC3-125-0-490	141.3	5.5625	12	15	200	7 ⁷ / ₈	18	40	1.6	390	390	350	240	150	110	90		M8-M16
PC3-125-1-490	141.3	5.5625	16	17	200	7 ⁷ / ₈	24	50	3.3	800	800	800	800	590	420	330		M8-M16
PC3-125-2-490	141.3	5.5625	16	17	200	7 ⁷ / ₈	24	50	3.3	800	800	800	800	590	420	330		M8-M16
PC3-125-3-490	141.3	5.5625	20	20	200	7 ⁷ / ₈	30	50	3.4	1320	1320	1310	960	600	430	330		M12-M24
PC3-125-0-530	141.3	5.5625	12	15	200	7 ⁷ / ₈	18	40	1.6	390	390	350	240	150	110	90		M8-M16
PC3-125-1-530	141.3	5.5625	16	17	200	7 ⁷ / ₈	24	50	3.3	800	800	800	800	590	420	330		M8-M16
PC3-125-2-530	141.3	5.5625	16	17	200	7 ⁷ / ₈	24	50	3.3	800	800	800	800	590	420	330		M8-M16
PC3-125-3-530	141.3	5.5625	20	20	200	7 ⁷ / ₈	30	60	4.0	1320	1320	1320	1160	720	520	400		M12-M24
PC3-125-0-560	141.3	5.5625	12	15	210	8 ¹ / ₄	18	50	3.3	390	390	390	390	390	390	390		M8-M16
PC3-125-1-560	141.3	5.5625	16	17	210	8 ¹ / ₄	24	50	3.4	800	800	800	800	720	580	450		M8-M16
PC3-125-2-560	141.3	5.5625	16	17	210	8 ¹ / ₄	24	50	3.4	800	800	800	800	720	580	450		M8-M16
PC3-125-3-560	141.3	5.5625	20	20	210	8 ¹ / ₄	30	70	5.7	1320	1320	1320	1320	1160	900			M12-M24
PC3-125-0-600	141.3	5.5625	12	15	210	8 ¹ / ₄	18	50	3.3	390	390	390	390	390	390	390		M8-M16
PC3-125-1-600	141.3	5.5625	16	17	210	8 ¹ / ₄	24	50	3.4	800	800	800	800	720	580	450		M8-M16
PC3-125-2-600	141.3	5.5625	16	17	210	8 ¹ / ₄	24	60	4.0	900	800	800	800	800	690	530		M8-M16
PC3-125-3-600	141.3	5.5625	20	20	210	8 ¹ / ₄	30	80	6.5	1320	1320	1320	1320	1270	1030			M12-M24

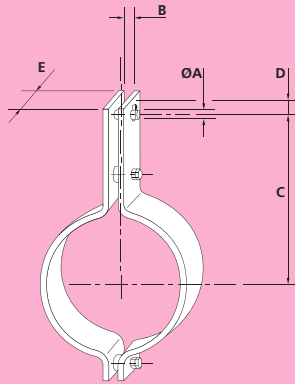
PC3 PIPE CLAMP THREE BOLT TYPE



Material: Carbon Steel to 400°C Alloy Steel above

Part Number	Pipe O.D		A	B	C		D	E	Weight	Load Capacity (kgf) at Temperature C							Compatible with Rod Sizes		
	mm	in			mm	in				mm	in	mm	mm	kgf	350	400		490	530
PC3-150-0-400	168.3	6.625	12	15	210	8 1/4	18	40	1.7	340	300							M8-M16	
PC3-150-1-400	168.3	6.625	16	17	210	8 1/4	24	40	2.4	590	530							M8-M16	
PC3-150-2-400	168.3	6.625	16	17	210	8 1/4	24	40	2.4	590	530							M8-M16	
PC3-150-3-400	168.3	6.625	20	20	210	8 1/4	30	60	5.5	1320	1320							M12-M24	
PC3-150-4-400	168.3	6.625	24	25	210	8 1/4	36	60	6.6	1830	1790							M12-M36	
PC3-150-0-490	168.3	6.625	12	15	220	8 1/2	18	40	1.8	350	350	300	220	130	90	80		M8-M16	
PC3-150-1-490	168.3	6.625	16	17	220	8 1/2	24	50	3.7	800	800	800	800	530	380	290		M8-M16	
PC3-150-2-490	168.3	6.625	16	17	220	8 1/2	24	50	3.7	800	800	800	800	530	380	290		M8-M16	
PC3-150-3-490	168.3	6.625	20	20	220	8 1/2	30	50	3.8	1300	1300	1150	850	530	380	290		M12-M24	
PC3-150-4-490	168.3	6.625	24	25	220	8 1/2	36	70	6.4	1590	1590	1590	1540	1090	780	580		M12-M36	
PC3-150-0-530	168.3	6.625	12	15	220	8 1/2	18	50	3.6	390	390	390	390	390	370	280		M8-M16	
PC3-150-1-530	168.3	6.625	16	17	220	8 1/2	24	50	3.7	800	800	800	800	530	380	290		M8-M16	
PC3-150-2-530	168.3	6.625	16	17	220	8 1/2	24	50	3.7	800	800	800	800	530	380	290		M8-M16	
PC3-150-3-530	168.3	6.625	20	20	220	8 1/2	30	60	4.5	1320	1320	1320	1020	640	460	350		M12-M24	
PC3-150-4-530	168.3	6.625	24	25	220	8 1/2	36	80	7.5	1830	1830	1830	1800	1140	810	610		M12-M36	
PC3-150-0-560	168.3	6.625	12	15	240	9 1/8	18	50	3.8	390	390	390	390	390	390	390		M8-M16	
PC3-150-1-560	168.3	6.625	16	17	240	9 1/8	24	50	3.8	800	800	800	800	640	510	390		M8-M16	
PC3-150-2-560	168.3	6.625	16	17	240	9 1/8	24	50	3.8	800	800	800	800	640	510	390		M8-M16	
PC3-150-3-560	168.3	6.625	20	20	240	9 1/8	30	70	6.5	1320	1320	1320	1320	1280	1020	790		M12-M24	
PC3-150-4-560	168.3	6.625	24	25	240	9 1/8	36	80	9.7	1830	1830	1830	1830	1830	1830	1750	1370		M12-M36
PC3-150-0-600	168.3	6.625	12	15	240	9 1/8	18	50	3.8	390	390	390	390	390	390	390		M8-M16	
PC3-150-1-600	168.3	6.625	16	17	240	9 1/8	24	50	3.8	800	800	800	800	640	510	390		M8-M16	
PC3-150-2-600	168.3	6.625	16	17	240	9 1/8	24	70	6.4	800	800	800	800	800	800	780		M8-M16	
PC3-150-3-600	168.3	6.625	20	20	240	9 1/8	30	80	9.2	1320	1320	1320	1320	1320	1320	1150		M12-M24	
PC3-150-4-600	168.3	6.625	24	25	240	9 1/8	36	100	12.0	1830	1830	1830	1830	1830	1830	1710		M12-M36	
PC3-175-0-400	193.7	7.625	12	15	250	9 1/8	18	40	2.0	330	300							M8-M16	
PC3-175-1-400	193.7	7.625	16	17	250	9 1/8	24	40	2.7	570	520							M8-M16	
PC3-175-2-400	193.7	7.625	16	17	250	9 1/8	24	45	3.7	770	770							M8-M16	
PC3-175-3-400	193.7	7.625	20	20	250	9 1/8	30	60	6.2	1320	1320							M12-M24	
PC3-175-4-400	193.7	7.625	24	25	250	9 1/8	36	80	6.3	1640	1640							M12-M36	
PC3-175-5-400	193.7	7.625	30	29	250	9 1/8	45	90	16.3	3050	3050							M12-M36	
PC3-175-0-490	193.7	7.625	12	15	260	10 1/4	18	40	2.0	340	340	300	210	130	90	70		M8-M16	
PC3-175-1-490	193.7	7.625	16	17	260	10 1/4	24	50	4.2	800	800	800	740	460	330	250		M8-M16	
PC3-175-2-490	193.7	7.625	16	17	260	10 1/4	24	50	4.2	800	800	800	740	460	330	250		M8-M16	
PC3-175-3-490	193.7	7.625	20	20	260	10 1/4	30	60	5.1	1320	1320	1200	900	560	400	310		M12-M24	
PC3-175-4-490	193.7	7.625	24	25	260	10 1/4	36	70	7.4	1830	1830	1830	1520	970	690	510		M12-M36	
PC3-175-5-490	193.7	7.625	30	29	260	10 1/4	45	80	8.7	2590	2590	2320	1760	1120	800	590		M12-M36	
PC3-175-0-530	193.7	7.625	12	15	260	10 1/4	18	50	4.1	390	390	390	390	390	390	350		M8-M16	
PC3-175-1-530	193.7	7.625	16	17	260	10 1/4	24	50	4.2	800	800	800	740	460	330	250		M8-M16	
PC3-175-2-530	193.7	7.625	16	17	260	10 1/4	24	50	4.2	800	800	800	740	460	330	250		M8-M16	
PC3-175-3-530	193.7	7.625	20	20	260	10 1/4	30	70	7.2	1320	1320	1320	1320	950	680	500		M12-M24	
PC3-175-4-530	193.7	7.625	24	25	260	10 1/4	36	80	8.4	1830	1830	1830	1730	1110	790	590		M12-M36	
PC3-175-5-530	193.7	7.625	30	29	260	10 1/4	45	80	10.8	3000	3000	3000	2830	1850	1300	940		M12-M36	
PC3-175-0-560	193.7	7.625	12	15	260	10 1/4	18	50	4.1	390	390	390	390	390	390	340		M8-M16	
PC3-175-1-560	193.7	7.625	16	17	260	10 1/4	24	50	4.2	800	800	800	770	560	450	350		M8-M16	
PC3-175-2-560	193.7	7.625	16	17	260	10 1/4	24	50	4.2	800	800	800	770	560	450	350		M8-M16	
PC3-175-3-560	193.7	7.625	20	20	260	10 1/4	30	70	7.2	1320	1320	1320	1320	1130	900	700		M12-M24	
PC3-175-4-560	193.7	7.625	24	25	260	10 1/4	36	80	10.5	1830	1830	1830	1830	1830	1680	1320		M12-M36	
PC3-175-5-560	193.7	7.625	30	29	260	10 1/4	45	100	13.4	3000	3000	3000	3000	2690	2130	1670		M12-M36	
PC3-175-0-600	193.7	7.625	12	15	260	10 1/4	18	50	4.1	390	390	390	390	390	390	340		M8-M16	
PC3-175-1-600	193.7	7.625	16	17	260	10 1/4	24	60	5.0	800	800	800	800	670	540	420		M8-M16	
PC3-175-2-600	193.7	7.625	16	17	260	10 1/4	24	70	7.0	800	800	800	800	800	800	690		M8-M16	
PC3-175-3-600	193.7	7.625	20	20	260	10 1/4	30	80	10.2	1320	1320	1320	1320	1320	1280	1110		M12-M24	
PC3-175-4-600	193.7	7.625	24	25	260	10 1/4	36	100	13.0	1830	1830	1830	1830	1830	1830	1650		M12-M36	
PC3-175-5-600	193.7	7.625	30	29	260	10 1/4	45	100	17.9	3050	3050	3050	3050	3050	3050	2880		M12-M36	

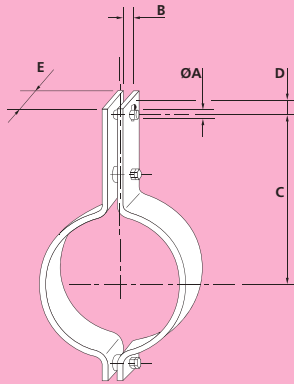
PC3 PIPE CLAMP THREE BOLT TYPE



Material: Carbon Steel to 400°C Alloy Steel above

Part Number	Pipe O/D		A	B	C		D	E	Weight	Load Capacity (kgf) at Temperature C							Compatible with Rod Sizes	
	mm	in			mm	in				mm	in	350	400	490	530	560		580
PC3-200-0-400	219.1	8.625	12	15	280	11	18	40	2.2	290	260							M8-M16
PC3-200-1-400	219.1	8.625	16	17	280	11	24	40	3.0	510	460							M8-M16
PC3-200-2-400	219.1	8.625	16	17	280	11	24	45	4.2	730	730							M8-M16
PC3-200-3-400	219.1	8.625	20	20	280	11	30	60	6.9	1320	1320							M12-M24
PC3-200-4-400	219.1	8.625	24	25	280	11	36	65	12.8	1830	1830							M12-M36
PC3-200-5-400	219.1	8.625	30	29	280	11	45	90	17.9	3050	3050							M12-M36
PC3-200-6-400	219.1	8.625	36	41	280	11	54	90	18.8	3810	3810							M20-M64
PC3-200-0-490	219.1	8.625	12	15	290	11 7/16	18	40	2.2	300	300	260	190	120	80	70		M8-M16
PC3-200-1-490	219.1	8.625	16	17	290	11 7/16	24	50	4.7	800	800	800	660	420	300	220		M8-M16
PC3-200-2-490	219.1	8.625	16	17	290	11 7/16	24	50	4.7	800	800	800	660	420	300	220		M8-M16
PC3-200-3-490	219.1	8.625	20	20	290	11 7/16	30	60	5.7	1200	1200	1060	800	500	360	270		M12-M24
PC3-200-4-490	219.1	8.625	24	25	290	11 7/16	36	70	8.2	1830	1830	1760	1360	870	620	460		M12-M36
PC3-200-5-490	219.1	8.625	30	29	290	11 7/16	45	80	11.9	2800	2800	2800	2540	1660	1170	850		M12-M36
PC3-200-6-490	219.1	8.625	36	41	290	11 7/16	54	100	15.5	3810	3810	3810	3280	2150	1510	1090		M20-M64
PC3-200-0-530	219.1	8.625	12	15	290	11 7/16	18	50	4.6	390	390	390	390	390	290	220		M8-M16
PC3-200-1-530	219.1	8.625	16	17	290	11 7/16	24	50	4.7	800	800	800	660	420	300	220		M8-M16
PC3-200-2-530	219.1	8.625	16	17	290	11 7/16	24	50	4.7	800	800	800	660	420	300	220		M8-M16
PC3-200-3-530	219.1	8.625	20	20	290	11 7/16	30	70	7.9	1240	1240	1240	1200	950	670	500		M12-M24
PC3-200-4-530	219.1	8.625	24	25	290	11 7/16	36	80	11.6	1830	1830	1830	1830	1640	1160	840		M12-M36
PC3-200-5-530	219.1	8.625	30	29	290	11 7/16	45	80	11.9	2800	2800	2800	2540	1660	1170	850		M12-M36
PC3-200-6-530	219.1	8.625	36	41	290	11 7/16	54	100	20.5	3810	3810	3810	3810	3810	2780	1990		M20-M64
PC3-200-0-560	219.1	8.625	12	15	290	11 7/16	18	50	4.6	390	390	390	390	390	390	310		M8-M16
PC3-200-1-560	219.1	8.625	16	17	290	11 7/16	24	50	4.7	800	800	800	690	500	400	310		M8-M16
PC3-200-2-560	219.1	8.625	16	17	290	11 7/16	24	60	5.6	800	800	800	800	600	480	370		M8-M16
PC3-200-3-560	219.1	8.625	20	20	290	11 7/16	30	70	7.9	1240	1240	1240	1200	1080	890	700		M12-M24
PC3-200-4-560	219.1	8.625	24	25	290	11 7/16	36	80	11.6	1830	1830	1830	1830	1830	1510	1190		M12-M36
PC3-200-5-560	219.1	8.625	30	29	290	11 7/16	45	100	14.8	2800	2800	2800	2800	2410	1910	1500		M12-M36
PC3-200-6-560	219.1	8.625	36	41	290	11 7/16	54	100	20.5	3810	3810	3810	3810	3810	3550	2820		M20-M64
PC3-200-0-600	219.1	8.625	12	15	290	11 7/16	18	50	4.6	390	390	390	390	390	390	310		M8-M16
PC3-200-1-600	219.1	8.625	16	17	290	11 7/16	24	60	5.6	800	800	800	800	600	480	370		M8-M16
PC3-200-2-600	219.1	8.625	16	17	290	11 7/16	24	70	7.8	800	800	800	800	800	800	620		M8-M16
PC3-200-3-600	219.1	8.625	20	20	290	11 7/16	30	80	11.3	1320	1320	1320	1320	1320	1230	1080		M12-M24
PC3-200-4-600	219.1	8.625	24	25	290	11 7/16	36	100	19.3	1830	1830	1830	1830	1830	1830	1830		M12-M36
PC3-200-5-600	219.1	8.625	30	29	290	11 7/16	45	100	19.7	3050	3050	3050	3050	3050	2960	2730		M12-M36
PC3-200-6-600	219.1	8.625	36	41	290	11 7/16	54	90	23.1	3810	3810	3810	3810	3810	3810	3810		M20-M64

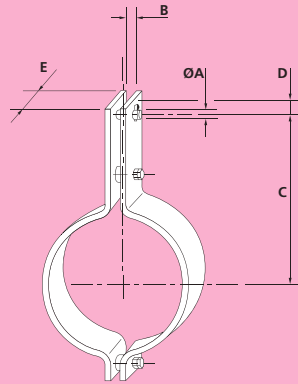
PC3 PIPE CLAMP THREE BOLT TYPE



Material: Carbon Steel to 400°C Alloy Steel above

Part Number	Pipe O/D		A	B	C		D	E	Weight	Load Capacity (kgf) at Temperature C							Compatible with Rod Sizes		
	mm	in			mm	in				mm	mm	kgf	350	400	490	530		560	580
PC3-225-0-400	244.5	9.625	12	15	290	11 ⁷ / ₁₆	18	40	2.3	290	260							M8-M16	
PC3-225-1-400	244.5	9.625	16	17	290	11 ⁷ / ₁₆	24	40	3.1	500	450							M8-M16	
PC3-225-2-400	244.5	9.625	16	17	290	11 ⁷ / ₁₆	24	45	4.4	660	660							M8-M16	
PC3-225-3-400	244.5	9.625	20	20	290	11 ⁷ / ₁₆	30	60	7.3	1320	1320							M12-M24	
PC3-225-4-400	244.5	9.625	24	25	290	11 ⁷ / ₁₆	36	65	13.2	1730	1730							M12-M36	
PC3-225-5-400	244.5	9.625	30	29	290	11 ⁷ / ₁₆	45	90	18.8	2770	2770							M12-M36	
PC3-225-6-400	244.5	9.625	36	41	290	11 ⁷ / ₁₆	54	90	19.8	3810	3810							M20-M64	
PC3-225-0-490	244.5	9.625	12	15	300	11 ¹³ / ₁₆	18	40	2.4	300	300	260	180	110	80	60		M8-M16	
PC3-225-1-490	244.5	9.625	16	17	300	11 ¹³ / ₁₆	24	50	4.9	800	800	800	630	400	280	220		M8-M16	
PC3-225-2-490	244.5	9.625	16	17	300	11 ¹³ / ₁₆	24	50	4.9	800	800	800	630	400	280	220		M8-M16	
PC3-225-3-490	244.5	9.625	20	20	300	11 ¹³ / ₁₆	30	60	6.0	1130	1130	1040	770	480	340	260		M12-M24	
PC3-225-4-490	244.5	9.625	24	25	300	11 ¹³ / ₁₆	36	80	9.9	1830	1830	1790	1350	860	610	460		M12-M36	
PC3-225-5-490	244.5	9.625	30	29	300	11 ¹³ / ₁₆	45	80	12.7	2690	2690	2690	2220	1440	1020	740		M12-M36	
PC3-225-6-490	244.5	9.625	36	41	300	11 ¹³ / ₁₆	54	100	16.4	3810	3810	3700	2870	1860	1320	960		M20-M64	
PC3-225-0-530	244.5	9.625	12	15	300	11 ¹³ / ₁₆	18	50	4.9	390	390	390	390	390	390	210		M8-M16	
PC3-225-1-530	244.5	9.625	16	17	300	11 ¹³ / ₁₆	24	50	4.9	800	800	800	630	400	280	220		M8-M16	
PC3-225-2-530	244.5	9.625	16	17	300	11 ¹³ / ₁₆	24	50	4.9	800	800	800	630	400	280	220		M8-M16	
PC3-225-3-530	244.5	9.625	20	20	300	11 ¹³ / ₁₆	30	70	8.4	1210	1210	1210	1180	810	580	430		M12-M24	
PC3-225-4-530	244.5	9.625	24	25	300	11 ¹³ / ₁₆	36	80	12.3	1830	1830	1830	1830	1430	1010	740		M12-M36	
PC3-225-5-530	244.5	9.625	30	29	300	11 ¹³ / ₁₆	45	100	15.7	2690	2690	2690	2690	1800	1270	930		M12-M36	
PC3-225-6-530	244.5	9.625	36	41	300	11 ¹³ / ₁₆	54	100	21.6	3810	3810	3810	3810	3500	2450	1740		M20-M64	
PC3-225-0-560	244.5	9.625	12	15	300	11 ¹³ / ₁₆	18	50	4.9	390	390	390	390	390	390	290		M8-M16	
PC3-225-1-560	244.5	9.625	16	17	300	11 ¹³ / ₁₆	24	50	4.9	800	800	800	660	480	380	300		M8-M16	
PC3-225-2-560	244.5	9.625	16	17	300	11 ¹³ / ₁₆	24	60	5.9	800	800	800	800	800	580	460	360		M8-M16
PC3-225-3-560	244.5	9.625	20	20	300	11 ¹³ / ₁₆	30	80	9.5	1210	1210	1210	1180	1070	880	690		M12-M24	
PC3-225-4-560	244.5	9.625	24	25	300	11 ¹³ / ₁₆	36	80	12.3	1830	1830	1830	1830	1670	1330	1040		M12-M36	
PC3-225-5-560	244.5	9.625	30	29	300	11 ¹³ / ₁₆	45	100	20.9	2960	2960	2960	2960	2960	2860	2410		M12-M36	
PC3-225-6-560	244.5	9.625	36	41	300	11 ¹³ / ₁₆	54	100	21.6	3810	3810	3810	3810	3810	3140	2490		M20-M64	
PC3-225-0-600	244.5	9.625	12	15	300	11 ¹³ / ₁₆	18	50	4.9	390	390	390	390	390	380	290		M8-M16	
PC3-225-1-600	244.5	9.625	16	17	300	11 ¹³ / ₁₆	24	70	8.2	800	800	800	800	800	760	590		M8-M16	
PC3-225-2-600	244.5	9.625	16	17	300	11 ¹³ / ₁₆	24	70	8.2	800	800	800	800	800	760	590		M8-M16	
PC3-225-3-600	244.5	9.625	20	20	300	11 ¹³ / ₁₆	30	80	12.2	1320	1320	1320	1320	1320	1310	1020		M12-M24	
PC3-225-4-600	244.5	9.625	24	25	300	11 ¹³ / ₁₆	36	100	20.5	1830	1830	1830	1830	1830	1830	1830		M12-M36	
PC3-225-5-600	244.5	9.625	30	29	300	11 ¹³ / ₁₆	45	100	20.9	2960	2960	2960	2960	2960	2860	2410		M12-M36	
PC3-225-6-600	244.5	9.625	36	41	300	11 ¹³ / ₁₆	54	100	27.0	3810	3810	3810	3810	3810	3810	3810		M20-M64	

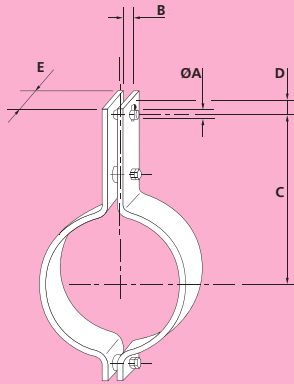
PC3 PIPE CLAMP THREE BOLT TYPE



Material: Carbon Steel to 400°C Alloy Steel above

Part Number	Pipe O.D		A	B	C		D	E	Weight	Load Capacity (kgf) at Temperature C								Compatible with Rod Sizes
	mm	in			mm	in				mm	in	350	400	490	530	580	580	
PC3-250-0-400	273	10.75	12	15	320	12 ⁵ / ₈	18	40	3.4	390	390							M8-M16
PC3-250-1-400	273	10.75	16	17	320	12 ⁵ / ₈	24	40	3.5	460	420							M8-M16
PC3-250-2-400	273	10.75	16	17	320	12 ⁵ / ₈	24	45	4.8	620	620							M8-M16
PC3-250-3-400	273	10.75	20	20	320	12 ⁵ / ₈	30	60	8.0	1320	1240							M12-M24
PC3-250-4-400	273	10.75	24	25	320	12 ⁵ / ₈	36	65	14.5	1590	1590							M12-M36
PC3-250-5-400	273	10.75	30	29	320	12 ⁵ / ₈	45	90	20.7	2670	2670							M12-M36
PC3-250-6-400	273	10.75	36	41	320	12 ⁵ / ₈	54	90	21.5	3810	3810							M20-M64
PC3-250-7-400	273	10.75	42	45	320	12 ⁵ / ₈	63	110	27.6	5470	5470							M30-M64
PC3-250-0-490	273	10.75	12	15	330	13	18	50	5.3	390	390	390	390	380	270	200		M8-M16
PC3-250-1-490	273	10.75	16	17	330	13	24	50	5.4	800	800	800	600	380	270	200		M8-M16
PC3-250-2-490	273	10.75	16	17	330	13	24	50	5.4	800	800	800	600	380	270	200		M8-M16
PC3-250-3-490	273	10.75	20	20	330	13	30	70	9.2	1120	1120	1120	1100	780	550	410		M12-M24
PC3-250-4-490	273	10.75	24	25	330	13	36	80	10.8	1830	1830	1670	1280	820	580	430		M12-M36
PC3-250-5-490	273	10.75	30	29	330	13	45	80	13.8	2480	2480	2480	2100	1380	970	700		M12-M36
PC3-250-6-490	273	10.75	36	41	330	13	54	100	23.5	3810	3810	3810	3810	3330	2320	1660		M20-M64
PC3-250-7-490	273	10.75	42	45	330	13	63	110	27.0	5470	5470	5470	5140	3480	2420	1730		M30-M64
PC3-250-0-530	273	10.75	12	15	330	13	18	50	5.3	390	390	390	390	380	270	200		M8-M16
PC3-250-1-530	273	10.75	16	17	330	13	24	50	5.4	800	800	800	600	380	270	200		M8-M16
PC3-250-2-530	273	10.75	16	17	330	13	24	50	5.4	800	800	800	600	380	270	200		M8-M16
PC3-250-3-530	273	10.75	20	20	330	13	30	70	9.2	1120	1120	1120	1100	780	550	410		M12-M24
PC3-250-4-530	273	10.75	24	25	330	13	36	80	13.5	1830	1830	1830	1830	1360	960	690		M12-M36
PC3-250-5-530	273	10.75	30	29	330	13	45	100	17.1	2480	2480	2480	1720	1210	880			M12-M36
PC3-250-6-530	273	10.75	36	41	330	13	54	100	23.5	3810	3810	3810	3810	3330	2320	1660		M20-M64
PC3-250-7-530	273	10.75	42	45	330	13	63	110	33.4	5470	5470	5470	5470	5470	4260	3070		M30-M64
PC3-250-0-560	273	10.75	12	15	330	13	18	50	5.3	390	390	390	390	390	360	280		M8-M16
PC3-250-1-560	273	10.75	16	17	330	13	24	50	5.4	800	800	800	630	460	360	280		M8-M16
PC3-250-2-560	273	10.75	16	17	330	13	24	60	6.5	800	800	800	750	550	440	340		M8-M16
PC3-250-3-560	273	10.75	20	20	330	13	30	80	13.3	1320	1320	1320	1320	1320	1240	970		M12-M24
PC3-250-4-560	273	10.75	24	25	330	13	36	100	16.8	1830	1830	1830	1830	1830	1570	1230		M12-M36
PC3-250-5-560	273	10.75	30	29	330	13	45	100	22.8	2720	2720	2720	2720	2720	2640	2290		M12-M36
PC3-250-6-560	273	10.75	36	41	330	13	54	100	23.5	3810	3810	3810	3810	3750	2960	2350		M20-M64
PC3-250-7-560	273	10.75	42	45	330	13	63	110	33.4	5470	5470	5470	5470	5260	4200			M30-M64
PC3-250-0-600	273	10.75	12	15	330	13	18	50	5.3	390	390	390	390	390	360	280		M8-M16
PC3-250-1-600	273	10.75	16	17	330	13	24	70	9.1	800	800	800	800	800	730	570		M8-M16
PC3-250-2-600	273	10.75	16	17	330	13	24	70	9.1	800	800	800	800	800	730	570		M8-M16
PC3-250-3-600	273	10.75	20	20	330	13	30	100	16.6	1320	1320	1320	1320	1320	1320	1210		M12-M24
PC3-250-4-600	273	10.75	24	25	330	13	36	100	22.4	1830	1830	1830	1830	1830	1830	1830		M12-M36
PC3-250-5-600	273	10.75	30	29	330	13	45	100	22.8	2720	2720	2720	2720	2720	2640	2290		M12-M36
PC3-250-6-600	273	10.75	36	41	330	13	54	100	29.4	3810	3810	3810	3810	3810	3810	3790		M20-M64
PC3-250-7-600	273	10.75	42	45	330	13	63	110	40.1	5470	5470	5470	5470	5470	5470			M30-M64

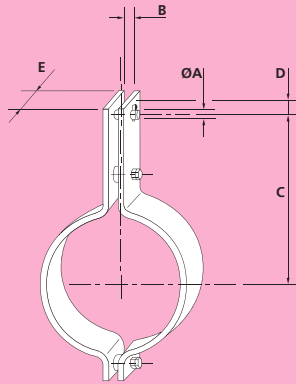
PC3 PIPE CLAMP THREE BOLT TYPE



Material: Carbon Steel to 400°C Alloy Steel above

Part Number	Pipe O/D		A		B		C		D		E		Weight	Load Capacity (kgf) at Temperature C							Compatible with Rod Sizes
	mm	in	mm	mm	mm	in	mm	mm	mm	mm	kgf	350		400	490	530	560	580	600		
PC3-300-1-400	323.9	12.75	16	17	350	13 ³ / ₄	24	45	5.5	590	590									M8-M16	
PC3-300-2-400	323.9	12.75	16	17	350	13 ³ / ₄	24	45	5.5	590	590									M8-M16	
PC3-300-3-400	323.9	12.75	20	20	350	13 ³ / ₄	30	60	8.9	1180	1130									M12-M24	
PC3-300-4-400	323.9	12.75	24	25	350	13 ³ / ₄	36	65	16.5	1830	1830									M12-M36	
PC3-300-5-400	323.9	12.75	30	29	350	13 ³ / ₄	45	90	23.0	2340	2340									M12-M36	
PC3-300-6-400	323.9	12.75	36	41	350	13 ³ / ₄	54	90	24.8	3810	3810									M20-M64	
PC3-300-7-400	323.9	12.75	42	45	360	14 ³ / ₁₆	63	110	38.1	5470	5470									M30-M64	
PC3-300-8-400	323.9	12.75	48	52	370	14 ³ / ₁₆	72	130	47.4	9820	9410									M42-M80	
PC3-300-1-490	323.9	12.75	16	17	370	14 ³ / ₁₆	24	50	6.2	740	740	660	500	320	230	170				M8-M16	
PC3-300-2-490	323.9	12.75	16	17	370	14 ³ / ₁₆	24	50	6.2	740	740	660	500	320	230	170				M8-M16	
PC3-300-3-490	323.9	12.75	20	20	370	14 ³ / ₁₆	30	70	10.6	1320	1320	1320	1020	660	470	340					M12-M24
PC3-300-4-490	323.9	12.75	24	25	370	14 ³ / ₁₆	36	80	15.2	1830	1830	1830	1830	1270	890	640					M12-M36
PC3-300-5-490	323.9	12.75	30	29	370	14 ³ / ₁₆	45	100	19.7	3050	3050	2830	2240	1480	1040	740					M12-M36
PC3-300-6-490	323.9	12.75	36	41	370	14 ³ / ₁₆	54	100	26.6	3810	3810	3810	3810	2880	2000	1440					M20-M64
PC3-300-7-490	323.9	12.75	42	45	370	14 ³ / ₁₆	63	110	30.2	5470	5470	5470	4700	3200	2220	1600					M30-M64
PC3-300-8-490	323.9	12.75	48	52	370	14 ³ / ₁₆	72	120	42.8	9770	9770	9210	7760	5520	3930	2820					M42-M80
PC3-300-1-530	323.9	12.75	16	17	370	14 ³ / ₁₆	24	50	6.2	740	740	660	500	320	230	170					M8-M16
PC3-300-2-530	323.9	12.75	16	17	370	14 ³ / ₁₆	24	60	7.4	800	800	800	600	380	270	200					M8-M16
PC3-300-3-530	323.9	12.75	20	20	370	14 ³ / ₁₆	30	70	10.6	1320	1320	1320	1020	660	470	340					M12-M24
PC3-300-4-530	323.9	12.75	24	25	370	14 ³ / ₁₆	36	80	15.2	1830	1830	1830	1830	1270	890	640					M12-M36
PC3-300-5-530	323.9	12.75	30	29	370	14 ³ / ₁₆	45	100	26.1	3050	3050	3050	3050	2810	1950	1410					M12-M36
PC3-300-6-530	323.9	12.75	36	41	370	14 ³ / ₁₆	54	100	26.6	3810	3810	3810	3810	2880	2000	1440					M20-M64
PC3-300-7-530	323.9	12.75	42	45	370	14 ³ / ₁₆	63	110	37.5	5470	5470	5470	5470	5260	3740	2680					M30-M64
PC3-300-8-530	323.9	12.75	48	52	370	14 ³ / ₁₆	72	120	42.8	9770	9770	9210	7760	5520	3930	2820					M42-M80
PC3-300-1-560	323.9	12.75	16	17	390	15 ³ / ₈	24	50	6.4	740	740	670	520	380	300	240					M8-M16
PC3-300-2-560	323.9	12.75	16	17	390	15 ³ / ₈	24	70	10.6	800	800	800	800	800	680	530					M8-M16
PC3-300-3-560	323.9	12.75	20	20	390	15 ³ / ₈	30	80	15.3	1110	1110	1110	1110	1070	1000	890					M12-M24
PC3-300-4-560	323.9	12.75	24	25	390	15 ³ / ₈	36	100	19.4	1830	1830	1830	1830	1830	1450	1140					M12-M36
PC3-300-5-560	323.9	12.75	30	29	390	15 ³ / ₈	45	100	26.3	2390	2390	2390	2390	2390	2310	2120					M12-M36
PC3-300-6-560	323.9	12.75	36	41	390	15 ³ / ₈	54	90	30.5	3810	3810	3810	3810	3810	3810	3140					M20-M64
PC3-300-7-560	323.9	12.75	42	45	390	15 ³ / ₈	63	110	38.4	5470	5470	5470	5470	5470	4570	3650					M30-M64
PC3-300-8-560	323.9	12.75	48	52	390	15 ³ / ₈	72	120	52.2	10910	10910	10910	10910	8920	7190	5710					M42-M80
PC3-300-1-600	323.9	12.75	16	17	390	15 ³ / ₈	24	70	10.6	800	800	800	800	800	680	530					M8-M16
PC3-300-2-600	323.9	12.75	16	17	390	15 ³ / ₈	24	80	12.1	800	800	800	800	800	770	600					M8-M16
PC3-300-3-600	323.9	12.75	20	20	390	15 ³ / ₈	30	100	19.3	1320	1320	1320	1320	1320	1320	1130					M12-M24
PC3-300-4-600	323.9	12.75	24	25	390	15 ³ / ₈	36	100	25.9	1830	1830	1830	1830	1830	1830	1830					M12-M36
PC3-300-5-600	323.9	12.75	30	29	390	15 ³ / ₈	45	90	30.2	3050	3050	3050	3050	3050	3050	2900					M12-M36
PC3-300-6-600	323.9	12.75	36	41	390	15 ³ / ₈	54	110	37.0	3810	3810	3810	3810	3810	3810	3810					M20-M64
PC3-300-7-600	323.9	12.75	42	45	390	15 ³ / ₈	63	110	46.1	5470	5470	5470	5470	5470	5470	5420					M30-M64
PC3-300-8-600	323.9	12.75	48	52	390	15 ³ / ₈	72	160	68.7	10910	10910	10910	10910	10910	9590	7620					M42-M80

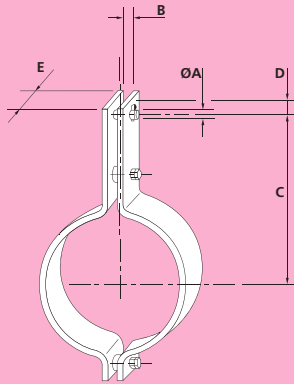
PC3 PIPE CLAMP THREE BOLT TYPE



Material: Carbon Steel to 400°C Alloy Steel above

Part Number	Pipe O/D		A	B	C		D	E	Weight	Load Capacity (kgf) at Temperature C							Compatible with Rod Sizes	
	mm	in			mm	in				mm	in	350	400	490	530	560		580
PC3-350-1-400	355.6	14	16	17	380	14 ¹⁵ / ₁₆	24	45	5.9	550	550							M8-M16
PC3-350-2-400	355.6	14	16	17	380	14 ¹⁵ / ₁₆	24	45	5.9	550	550							M8-M16
PC3-350-3-400	355.6	14	20	20	380	14 ¹⁵ / ₁₆	30	60	9.6	1100	1090							M12-M24
PC3-350-4-400	355.6	14	24	25	380	14 ¹⁵ / ₁₆	36	65	17.8	1830	1830							M12-M36
PC3-350-5-400	355.6	14	30	29	380	14 ¹⁵ / ₁₆	45	90	25.3	3050	3050							M12-M36
PC3-350-6-400	355.6	14	36	41	380	14 ¹⁵ / ₁₆	54	90	26.5	3810	3810	3810	3810					M20-M64
PC3-350-7-400	355.6	14	42	45	380	14 ¹⁵ / ₁₆	63	110	40.6	5470	5470							M30-M64
PC3-350-8-400	355.6	14	48	52	390	15 ⁷ / ₈	72	130	50.3	8900	8540							M42-M80
PC3-350-9-400	355.6	14	56	58	440	17 ⁵ / ₈	84	150	75.4	10000	10000							M42-M80
PC3-350-1-490	355.6	14	16	17	400	15 ³ / ₄	24	50	6.7	720	720	640	490	310	220	160		M8-M16
PC3-350-2-490	355.6	14	16	17	400	15 ³ / ₄	24	50	6.7	720	720	640	490	310	220	160		M8-M16
PC3-350-3-490	355.6	14	20	20	400	15 ³ / ₄	30	70	11.4	1320	1320	1270	990	640	450	330		M12-M24
PC3-350-4-490	355.6	14	24	25	400	15 ³ / ₄	36	80	16.5	1830	1830	1830	1710	1130	790	570		M12-M36
PC3-350-5-490	355.6	14	30	29	400	15 ³ / ₄	45	100	21.2	2980	2980	2910	2150	1430	1000	710		M12-M36
PC3-350-6-490	355.6	14	36	41	400	15 ³ / ₄	54	100	28.5	3810	3810	3810	3810	2760	1920	1390		M20-M64
PC3-350-7-490	355.6	14	42	45	400	15 ³ / ₄	63	110	40.4	5470	5470	5470	5470	4770	3400	2440		M30-M64
PC3-350-8-490	355.6	14	48	52	400	15 ³ / ₄	72	120	45.6	9280	9280	8750	7380	5260	3750	2690		M42-M80
PC3-350-9-490	355.6	14	56	58	410	16 ¹ / ₈	84	140	54.8	10000	10000	10000	8690	6200	4420	3170		M42-M80
PC3-350-1-530	355.6	14	16	17	400	15 ³ / ₄	24	50	6.7	720	720	640	490	310	220	160		M8-M16
PC3-350-2-530	355.6	14	16	17	400	15 ³ / ₄	24	50	6.7	720	720	640	490	310	220	160		M8-M16
PC3-350-3-530	355.6	14	20	20	400	15 ³ / ₄	30	80	13.0	1320	1320	1320	1130	790	520	380		M12-M24
PC3-350-4-530	355.6	14	24	25	400	15 ³ / ₄	36	80	16.5	1830	1830	1830	1710	1130	790	570		M12-M36
PC3-350-5-530	355.6	14	30	29	400	15 ³ / ₄	45	100	28.1	3050	3050	3050	3050	2700	1880	1360		M12-M36
PC3-350-6-530	355.6	14	36	41	400	15 ³ / ₄	54	100	28.5	3810	3810	3810	3810	2760	1920	1390		M20-M64
PC3-350-7-530	355.6	14	42	45	400	15 ³ / ₄	63	110	40.4	5470	5470	5470	5470	4770	3400	2440		M30-M64
PC3-350-8-530	355.6	14	48	52	400	15 ³ / ₄	72	130	49.2	10050	10050	9480	7990	5700	4060	2910		M42-M80
PC3-350-9-530	355.6	14	56	58	420	16 ⁹ / ₁₆	84	140	66.1	10000	10000	10000	10000	9370	6870	4860		M42-M80
PC3-350-1-560	355.6	14	16	17	420	16 ⁹ / ₁₆	24	50	6.8	720	720	650	510	370	290	230		M8-M16
PC3-350-2-560	355.6	14	16	17	420	16 ⁹ / ₁₆	24	70	11.5	800	800	800	800	740	590	460		M8-M16
PC3-350-3-560	355.6	14	20	20	420	16 ⁹ / ₁₆	30	80	16.7	1320	1320	1320	1320	1280	1020	800		M12-M24
PC3-350-4-560	355.6	14	24	25	420	16 ⁹ / ₁₆	36	100	21.0	1830	1830	1830	1830	1620	1280	1010		M12-M36
PC3-350-5-560	355.6	14	30	29	420	16 ⁹ / ₁₆	45	100	28.4	2330	2330	2330	2330	2290	1900	1500		M12-M36
PC3-350-6-560	355.6	14	36	41	420	16 ⁹ / ₁₆	54	90	32.8	3810	3810	3810	3810	3810	3550	2830		M20-M64
PC3-350-7-560	355.6	14	42	45	420	16 ⁹ / ₁₆	63	120	44.9	5470	5470	5470	5470	5470	4520	3600		M30-M64
PC3-350-8-560	355.6	14	48	52	420	16 ⁹ / ₁₆	72	120	55.7	10910	10910	10910	10770	8490	6850	5440		M42-M80
PC3-350-9-560	355.6	14	56	58	420	16 ⁹ / ₁₆	84	140	66.1	10000	10000	10000	10000	10000	8070	6410		M42-M80
PC3-350-1-600	355.6	14	16	17	420	16 ⁹ / ₁₆	24	70	11.5	800	800	800	800	740	590	460		M8-M16
PC3-350-2-600	355.6	14	16	17	420	16 ⁹ / ₁₆	24	80	16.3	800	800	800	800	800	800	800		M8-M16
PC3-350-3-600	355.6	14	20	20	420	16 ⁹ / ₁₆	30	100	27.8	1320	1320	1320	1320	1320	1320	1320		M12-M24
PC3-350-4-600	355.6	14	24	25	420	16 ⁹ / ₁₆	36	100	28.0	1830	1830	1830	1830	1830	1830	1830		M12-M36
PC3-350-5-600	355.6	14	30	29	420	16 ⁹ / ₁₆	45	90	32.1	2520	2520	2520	2520	2520	2520	2490		M12-M36
PC3-350-6-600	355.6	14	36	41	420	16 ⁹ / ₁₆	54	120	43.4	3810	3810	3810	3810	3810	3810	3780		M20-M64
PC3-350-7-600	355.6	14	42	45	420	16 ⁹ / ₁₆	63	120	53.6	5470	5470	5470	5470	5470	5470	5470		M30-M64
PC3-350-8-600	355.6	14	48	52	420	16 ⁹ / ₁₆	72	120	74.3	10910	10910	10910	10910	10910	10910	10280		M42-M80
PC3-350-9-600	355.6	14	56	58	430	16 ¹⁵ / ₁₆	84	140	88.4	10000	10000	10000	10000	10000	10000	10000		M42-M80

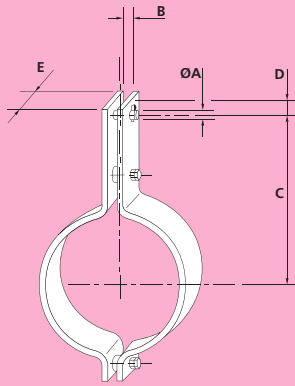
PC3 PIPE CLAMP THREE BOLT TYPE



Material: Carbon Steel to 400°C Alloy Steel above

Part Number	Pipe O/D		A	B	C		D	E	Weight	Load Capacity (kgf) at Temperature C						Compatible with Rod Sizes			
	mm	in			mm	in				mm	in	350	400	490	530		560	580	600
PC3-400-1-400	406.4	16	16	17	420	16 ⁹ / ₁₆	24	45	6.6	510	510							M8-M16	
PC3-400-2-400	406.4	16	16	17	420	16 ⁹ / ₁₆	24	60	10.6	800	800							M8-M16	
PC3-400-3-400	406.4	16	20	20	420	16 ⁹ / ₁₆	30	55	12.3	1130	1130							M12-M24	
PC3-400-4-400	406.4	16	24	25	420	16 ⁹ / ₁₆	36	65	19.7	1830	1830							M12-M36	
PC3-400-5-400	406.4	16	30	29	420	16 ⁹ / ₁₆	45	90	27.9	3000	3000							M12-M36	
PC3-400-6-400	406.4	16	36	41	420	16 ⁹ / ₁₆	54	110	35.2	3810	3810							M20-M64	
PC3-400-7-400	406.4	16	42	45	420	16 ⁹ / ₁₆	63	110	44.5	5470	5470							M30-M64	
PC3-400-8-400	406.4	16	48	52	420	16 ⁹ / ₁₆	72	130	54.4	8150	7800							M42-M80	
PC3-400-9-400	406.4	16	56	58	470	18 ¹ / ₂	84	150	81.5	10000	10000							M42-M80	
PC3-400-10-400	406.4	16	64	65	500	19 ¹ / ₁₆	96	180	133.7	14730	14730							M42-M80	
PC3-400-1-490	406.4	16	16	17	430	16 ⁹ / ₁₆	24	50	7.3	660	660	590	450	280	200	150		M8-M16	
PC3-400-2-490	406.4	16	16	17	430	16 ⁹ / ₁₆	24	50	7.3	660	660	590	450	280	200	150		M8-M16	
PC3-400-3-490	406.4	16	20	20	430	16 ⁹ / ₁₆	30	70	12.6	1200	1200	1070	830	530	380	280		M12-M24	
PC3-400-4-490	406.4	16	24	25	430	16 ⁹ / ₁₆	36	80	18.1	1830	1830	1830	1560	1030	720	520		M12-M36	
PC3-400-5-490	406.4	16	30	29	430	16 ⁹ / ₁₆	45	100	23.1	2750	2750	2490	1970	1290	910	650		M12-M36	
PC3-400-6-490	406.4	16	36	41	430	16 ⁹ / ₁₆	54	100	31.6	3810	3810	3810	3470	2360	1640	1180		M20-M64	
PC3-400-7-490	406.4	16	42	45	430	16 ⁹ / ₁₆	63	110	43.9	5470	5470	5470	5470	4330	3070	2210		M30-M64	
PC3-400-8-490	406.4	16	48	52	430	16 ⁹ / ₁₆	72	120	49.7	8110	8110	7630	6420	4540	3220	2320		M42-M80	
PC3-400-9-490	406.4	16	56	58	440	17 ⁹ / ₁₆	84	140	70.7	10000	10000	10000	10000	8510	6210	4400		M42-M80	
PC3-400-10-490	406.4	16	64	65	470	18 ¹ / ₂	96	160	86.2	15540	15540	14880	12660	9400	6860	4860		M42-M80	
PC3-400-1-530	406.4	16	16	17	430	16 ⁹ / ₁₆	24	50	7.3	660	660	590	450	280	200	150		M8-M16	
PC3-400-2-530	406.4	16	16	17	430	16 ⁹ / ₁₆	24	60	8.8	800	800	800	710	530	340	240	180		M8-M16
PC3-400-3-530	406.4	16	20	20	430	16 ⁹ / ₁₆	30	80	17.9	1320	1320	1320	1320	1010	710	510		M12-M24	
PC3-400-4-530	406.4	16	24	25	430	16 ⁹ / ₁₆	36	100	22.5	1830	1830	1830	1830	1280	900	650		M12-M36	
PC3-400-5-530	406.4	16	30	29	430	16 ⁹ / ₁₆	45	100	30.8	3050	3050	3050	3050	2300	1600	1150		M12-M36	
PC3-400-6-530	406.4	16	36	41	430	16 ⁹ / ₁₆	54	110	34.7	3810	3810	3810	3810	2590	1800	1300		M20-M64	
PC3-400-7-530	406.4	16	42	45	430	16 ⁹ / ₁₆	63	110	43.9	5470	5470	5470	5470	4330	3070	2210		M30-M64	
PC3-400-8-530	406.4	16	48	52	430	16 ⁹ / ₁₆	72	140	57.5	9460	9460	8900	7490	5300	3760	2700		M42-M80	
PC3-400-9-530	406.4	16	56	58	440	17 ⁹ / ₁₆	84	140	70.7	10000	10000	10000	10000	8510	6210	4400		M42-M80	
PC3-400-10-530	406.4	16	64	65	490	19 ⁹ / ₁₆	96	160	116.3	17480	17480	17480	17480	13980	9690	7480		M42-M80	
PC3-400-1-560	406.4	16	16	17	460	18 ¹ / ₂	24	60	9.1	800	800	800	720	560	410	320	250		M8-M16
PC3-400-2-560	406.4	16	16	17	460	18 ¹ / ₂	24	70	12.7	800	800	800	800	680	540	420		M8-M16	
PC3-400-3-560	406.4	16	20	20	460	18 ¹ / ₂	30	80	18.5	1320	1320	1320	1320	1170	930	730		M12-M24	
PC3-400-4-560	406.4	16	24	25	460	18 ¹ / ₂	36	100	30.9	1830	1830	1830	1830	1830	1830	1720		M12-M36	
PC3-400-5-560	406.4	16	30	29	460	18 ¹ / ₂	45	100	31.8	3050	3050	3050	3050	2580	2040	1620		M12-M36	
PC3-400-6-560	406.4	16	36	41	460	18 ¹ / ₂	54	90	36.1	3770	3770	3770	3770	3770	3240	2590		M20-M64	
PC3-400-7-560	406.4	16	42	45	460	18 ¹ / ₂	63	130	53.1	5470	5470	5470	5470	5470	4450	3550		M30-M64	
PC3-400-8-560	406.4	16	48	52	460	18 ¹ / ₂	72	130	66.0	10290	10290	10290	10210	8020	6460	5130		M42-M80	
PC3-400-9-560	406.4	16	56	58	460	18 ¹ / ₂	84	150	76.9	10000	10000	10000	10000	9750	7860	6250		M42-M80	
PC3-400-10-560	406.4	16	64	65	490	19 ⁹ / ₁₆	96	160	116.3	17480	17480	17480	17480	17480	15520	12250		M42-M80	
PC3-400-1-600	406.4	16	16	17	460	18 ¹ / ₂	24	70	12.7	800	800	800	800	680	540	420		M8-M16	
PC3-400-2-600	406.4	16	16	17	460	18 ¹ / ₂	24	80	18.1	800	800	800	800	800	800	740		M8-M16	
PC3-400-3-600	406.4	16	20	20	460	18 ¹ / ₂	30	100	30.7	1320	1320	1320	1320	1320	1320	1320		M12-M24	
PC3-400-4-600	406.4	16	24	25	460	18 ¹ / ₂	36	100	30.9	1830	1830	1830	1830	1830	1830	1720		M12-M36	
PC3-400-5-600	406.4	16	30	29	460	18 ¹ / ₂	45	90	35.8	3050	3050	3050	3050	3050	3050	2300		M12-M36	
PC3-400-6-600	406.4	16	36	41	460	18 ¹ / ₂	54	100	48.0	3810	3810	3810	3810	3810	3810	3810		M20-M64	
PC3-400-7-600	406.4	16	42	45	460	18 ¹ / ₂	63	140	68.5	5470	5470	5470	5470	5470	5470	5470		M30-M64	
PC3-400-8-600	406.4	16	48	52	460	18 ¹ / ₂	72	120	81.0	10910	10910	10910	10910	10910	10910	9370		M42-M80	
PC3-400-9-600	406.4	16	56	58	460	18 ¹ / ₂	84	140	95.8	10000	10000	10000	10000	10000	10000	10000		M42-M80	
PC3-400-10-600	406.4	16	64	65	490	19 ⁹ / ₁₆	96	180	130.1	17480	17480	17480	17480	17480	17480	17460	13780		M42-M80

PC3 PIPE CLAMP THREE BOLT TYPE

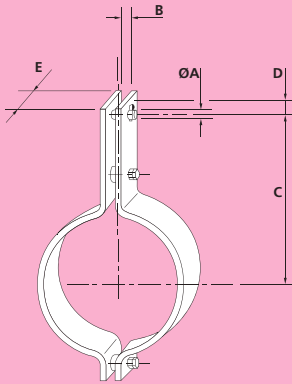


Material: Carbon Steel to 400°C Alloy Steel above

Part Number	Pipe O/D		A	B	C		D	E	Weight	Load Capacity (kgf) at Temperature C						Compatible with Rod Sizes			
	mm	in			mm	in				mm	mm	350	400	490	530		560	580	600
PC3-450-2-400	457.2	18	16	17	450	17 11/16	24	60	11.6	800	800						M8-M16		
PC3-450-3-400	457.2	18	20	20	450	17 11/16	30	55	13.4	1040	1040						M12-M24		
PC3-450-4-400	457.2	18	24	25	450	17 11/16	36	65	21.5	1830	1830						M12-M36		
PC3-450-5-400	457.2	18	30	29	450	17 11/16	45	90	30.4	2870	2870						M12-M36		
PC3-450-6-400	457.2	18	36	41	450	17 11/16	54	110	38.3	3810	3810						M20-M64		
PC3-450-7-400	457.2	18	42	45	450	17 11/16	63	110	49.5	5470	5470						M30-M64		
PC3-450-8-400	457.2	18	48	52	450	17 11/16	72	150	67.5	8220	8060						M42-M80		
PC3-450-9-400	457.2	18	56	58	490	19 5/8	84	150	86.6	10000	10000						M42-M80		
PC3-450-10-400	457.2	18	64	65	530	20 7/8	96	180	143.4	13670	13670						M42-M80		
PC3-450-11-400	457.2	18	72	69	540	21 1/4	108	180	150.0	18610	18610						M42-M80		
PC3-450-2-490	457.2	18	16	17	460	18 1/8	24	50	8.0	630	630	560	430	280	200	150	M8-M16		
PC3-450-3-490	457.2	18	20	20	460	18 1/8	30	70	13.7	1130	1130	1020	790	520	360	270	M12-M24		
PC3-450-4-490	457.2	18	24	25	460	18 1/8	36	80	19.6	1770	1770	1770	1490	990	700	490	M12-M36		
PC3-450-5-490	457.2	18	30	29	460	18 1/8	45	100	33.5	3050	3050	3050	3050	2210	1530	1110	M12-M36		
PC3-450-6-490	457.2	18	36	41	460	18 1/8	54	100	34.2	3810	3810	3810	3810	3310	2260	1570	1130	M20-M64	
PC3-450-7-490	457.2	18	42	45	460	18 1/8	63	110	48.8	5470	5470	5470	5470	5220	3740	2670	1910	M30-M64	
PC3-450-8-490	457.2	18	48	52	460	18 1/8	72	130	57.8	8210	8210	7750	6540	4690	3350	2400		M42-M80	
PC3-450-9-490	457.2	18	56	58	480	18 1/8	84	140	78.7	10000	10000	10000	10000	9870	7410	5450	3850		M42-M80
PC3-450-10-490	457.2	18	64	65	500	19 11/16	96	160	92.8	13890	13890	13350	11390	8550	6280	4440			M42-M80
PC3-450-11-490	457.2	18	72	69	540	21 1/4	108	180	147.3	23130	23130	23130	22490	18280	14050	9820			M42-M80
PC3-450-2-530	457.2	18	16	17	460	18 1/8	24	70	13.4	800	800	800	800	560	400	290			M8-M16
PC3-450-3-530	457.2	18	20	20	460	18 1/8	30	80	19.5	1320	1320	1320	1320	980	690	490			M12-M24
PC3-450-4-530	457.2	18	24	25	460	18 1/8	36	100	24.5	1770	1770	1770	1770	1240	870	620			M12-M36
PC3-450-5-530	457.2	18	30	29	460	18 1/8	45	100	33.5	3050	3050	3050	3050	2210	1530	1110			M12-M36
PC3-450-6-530	457.2	18	36	41	460	18 1/8	54	90	38.5	3810	3810	3810	3810	3360	2400	1720			M20-M64
PC3-450-7-530	457.2	18	42	45	460	18 1/8	63	120	53.0	5470	5470	5470	5470	4080	2910	2090			M30-M64
PC3-450-8-530	457.2	18	48	52	460	18 1/8	72	120	64.0	9370	9370	9370	8760	6570	4690	3410			M42-M80
PC3-450-9-530	457.2	18	56	58	480	18 1/8	84	140	78.7	10000	10000	10000	9870	7410	5450	3850			M42-M80
PC3-450-10-530	457.2	18	64	65	520	20 7/8	96	160	125.0	16240	16240	16240	16240	16240	12840	8970			M42-M80
PC3-450-11-530	457.2	18	72	69	540	21 1/4	108	180	147.3	23130	23130	23130	22490	18280	14050	9820			M42-M80
PC3-450-2-560	457.2	18	16	17	480	18 1/8	24	70	13.7	800	800	800	800	660	520	410			M8-M16
PC3-450-3-560	457.2	18	20	20	480	18 1/8	30	80	19.9	1320	1320	1320	1320	1120	880	700			M12-M24
PC3-450-4-560	457.2	18	24	25	480	18 1/8	36	100	33.2	1830	1830	1830	1830	1830	1830	1650			M12-M36
PC3-450-5-560	457.2	18	30	29	480	18 1/8	45	100	34.1	3050	3050	3050	3050	2460	1940	1550			M12-M36
PC3-450-6-560	457.2	18	36	41	480	18 1/8	54	90	39.2	3810	3810	3810	3810	3650	2920	2330			M20-M64
PC3-450-7-560	457.2	18	42	45	480	18 1/8	63	110	59.1	5470	5470	5470	5470	5470	5130	4080			M30-M64
PC3-450-8-560	457.2	18	48	52	480	18 1/8	72	130	70.4	9370	9370	9370	9370	7990	6130	4860			M42-M80
PC3-450-9-560	457.2	18	56	58	500	19 11/16	84	140	106.2	10000	10000	10000	10000	10000	10000	9730			M42-M80
PC3-450-10-560	457.2	18	64	65	520	20 7/8	96	160	125.0	16240	16240	16240	16240	16240	14160	11220			M42-M80
PC3-450-11-560	457.2	18	72	69	540	21 1/4	108	180	147.3	23130	23130	23130	22740	18890	15500	12280			M42-M80
PC3-450-2-600	457.2	18	16	17	480	18 1/8	24	80	19.5	800	800	800	800	770	680				M8-M16
PC3-450-3-600	457.2	18	20	20	480	18 1/8	30	100	33.1	1320	1320	1320	1320	1320	1320	1320			M12-M24
PC3-450-4-600	457.2	18	24	25	480	18 1/8	36	100	33.2	1830	1830	1830	1830	1830	1830	1650			M12-M36
PC3-450-5-600	457.2	18	30	29	480	18 1/8	45	90	38.4	3050	3050	3050	3050	3050	2870	2280			M12-M36
PC3-450-6-600	457.2	18	36	41	480	18 1/8	54	100	51.6	3810	3810	3810	3810	3810	3810	3810			M20-M64
PC3-450-7-600	457.2	18	42	45	480	18 1/8	63	140	73.3	5470	5470	5470	5470	5470	5470	5440			M30-M64
PC3-450-8-600	457.2	18	48	52	480	18 1/8	72	120	86.8	10410	10410	10410	10410	10410	10410	10410			M42-M80
PC3-450-9-600	457.2	18	56	58	490	19 5/8	84	140	103.4	10000	10000	10000	10000	10000	10000	10000			M42-M80
PC3-450-10-600	457.2	18	64	65	520	20 7/8	96	200	154.7	16240	16240	16240	16240	16240	16240	14020			M42-M80
PC3-450-11-600	457.2	18	72	69	550	21 5/8	108	180	184.5	24610	24610	24610	24610	24610	24610	21700			M42-M80



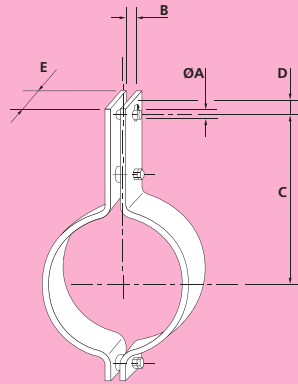
PC3 PIPE CLAMP THREE BOLT TYPE



Material: Carbon Steel to 400°C Alloy Steel above

Part Number	Pipe O/D		A	B	C		D	E	Weight	Load Capacity (kgf) at Temperature C						Compatible with Rod Sizes				
	mm	in			mm	in				mm	in	350	400	490	530		560	580	600	
PC3-500-2-400	508.0	20	16	17	470	18 1/2	24	60	12.4	800	800							M8-M16		
PC3-500-3-400	508.0	20	20	20	470	18 1/2	30	55	14.6	1200	1130							M12-M24		
PC3-500-4-400	508.0	20	24	25	470	18 1/2	36	65	23.0	1750	1750							M12-M36		
PC3-500-5-400	508.0	20	30	29	470	18 1/2	45	90	32.5	2660	2660							M12-M36		
PC3-500-6-400	508.0	20	36	41	470	18 1/2	54	110	40.8	3810	3680							M20-M64		
PC3-500-7-400	508.0	20	42	45	470	18 1/2	63	110	52.7	5470	5470							M30-M64		
PC3-500-8-400	508.0	20	48	52	470	18 1/2	72	150	71.7	7870	7580							M42-M80		
PC3-500-9-400	508.0	20	56	58	520	20 1/2	84	150	92.7	10000	10000							M42-M80		
PC3-500-10-400	508.0	20	64	65	560	22 1/8	96	180	155.9	17240	17240							M42-M80		
PC3-500-11-400	508.0	20	72	69	580	22 1/8	108	180	164.7	21590	21390							M42-M80		
PC3-500-12-400	508.0	20	80	77	590	23 1/4	120	200	186.3	24240	24020							M72-M80		
PC3-500-2-490	508.0	20	16	17	480	18 7/8	24	50	8.6	610	610	540	420	270	190	140		M8-M16		
PC3-500-3-490	508.0	20	20	20	480	18 7/8	30	80	16.8	1230	1230	1120	860	580	410	290		M12-M24		
PC3-500-4-490	508.0	20	24	25	480	18 7/8	36	80	21.0	1640	1640	1640	1450	970	680	480		M12-M36		
PC3-500-5-490	508.0	20	30	29	480	18 7/8	45	100	35.8	2960	2960	2960	2960	2140	1490	1080		M12-M36		
PC3-500-6-490	508.0	20	36	41	480	18 7/8	54	110	40.3	3810	3810	3810	3280	2260	1570	1140		M20-M64		
PC3-500-7-490	508.0	20	42	45	480	18 7/8	63	110	51.9	5470	5470	5470	4960	3590	2580	1840		M30-M64		
PC3-500-8-490	508.0	20	48	52	480	18 7/8	72	140	66.3	7940	7940	7530	6370	4620	3320	2370		M42-M80		
PC3-500-9-490	508.0	20	56	58	510	20 1/8	84	140	84.5	10000	10000	10000	8980	6810	5030	3550		M42-M80		
PC3-500-10-490	508.0	20	64	65	540	21 1/4	96	160	132.1	14900	14900	14900	14900	14900	12310	8670		M42-M80		
PC3-500-11-490	508.0	20	72	69	560	22 1/8	108	180	155.3	21190	21190	21190	21190	17410	13440	9470		M42-M80		
PC3-500-12-490	508.0	20	80	77	570	22 1/8	120	200	179.0	26440	26440	25930	23080	18920	14600	10290		M72-M80		
PC3-500-2-530	508.0	20	16	17	480	18 7/8	24	70	14.4	760	760	760	760	550	390	280		M8-M16		
PC3-500-3-530	508.0	20	20	20	480	18 7/8	30	80	20.9	1320	1320	1320	1320	960	670	470		M12-M24		
PC3-500-4-530	508.0	20	24	25	480	18 7/8	36	100	26.2	1640	1640	1640	1640	1210	840	600		M12-M36		
PC3-500-5-530	508.0	20	30	29	480	18 7/8	45	100	35.8	2960	2960	2960	2960	2140	1490	1080		M12-M36		
PC3-500-6-530	508.0	20	36	41	480	18 7/8	54	90	41.3	3810	3810	3810	3810	3070	2210	1580		M20-M64		
PC3-500-7-530	508.0	20	42	45	480	18 7/8	63	120	56.4	5470	5470	5470	5410	3920	2820	2010		M30-M64		
PC3-500-8-530	508.0	20	48	52	480	18 7/8	72	120	68.4	8900	8900	8900	7950	6030	4460	3140		M42-M80		
PC3-500-9-530	508.0	20	56	58	510	20 1/8	84	160	95.9	10000	10000	10000	10000	7760	5750	4050		M42-M80		
PC3-500-10-530	508.0	20	64	65	540	21 1/4	96	180	132.1	14900	14900	14900	14900	12310	8670			M42-M80		
PC3-500-11-530	508.0	20	72	69	560	22 1/8	108	180	155.3	21190	21190	21190	21190	17410	13440	9470		M42-M80		
PC3-500-12-530	508.0	20	80	77	570	22 1/8	120	200	179.0	26440	26440	25930	23080	18920	14600	10290		M72-M80		
PC3-500-2-560	508.0	20	16	17	510	20 1/8	24	70	14.8	760	760	760	760	640	510	400		M8-M16		
PC3-500-3-560	508.0	20	20	20	510	20 1/8	30	80	21.5	1320	1320	1320	1320	1090	860	680		M12-M24		
PC3-500-4-560	508.0	20	24	25	510	20 1/8	36	100	36.0	1830	1830	1830	1830	1830	1830	1490		M12-M36		
PC3-500-5-560	508.0	20	30	29	510	20 1/8	45	100	36.7	2960	2960	2960	2960	2370	1870	1500		M12-M36		
PC3-500-6-560	508.0	20	36	41	510	20 1/8	54	100	46.9	3810	3810	3810	3810	3690	2950	2350		M20-M64		
PC3-500-7-560	508.0	20	42	45	510	20 1/8	63	110	63.6	5470	5470	5470	5470	5470	4700	3730		M30-M64		
PC3-500-8-560	508.0	20	48	52	510	20 1/8	72	140	81.3	8900	8900	8900	8900	8900	7470	6040	4790		M42-M80	
PC3-500-9-560	508.0	20	56	58	520	20 1/2	84	140	112.5	10000	10000	10000	10000	10000	10000	9310		M42-M80		
PC3-500-10-560	508.0	20	64	65	540	21 1/4	96	160	132.1	14900	14900	14900	14900	14900	13500	10730		M42-M80		
PC3-500-11-560	508.0	20	72	69	560	22 1/8	108	190	163.5	21190	21190	21190	21190	18920	15560	12370		M42-M80		
PC3-500-12-560	508.0	20	80	77	570	22 1/8	120	240	212.4	29180	29180	29180	28000	23380	19220	15280		M72-M80		
PC3-500-2-600	508.0	20	16	17	510	20 1/8	24	80	21.1	800	800	800	800	800	800	790	680		M8-M16	
PC3-500-3-600	508.0	20	20	20	510	20 1/8	30	100	35.9	1320	1320	1320	1320	1320	1320	1320			M12-M24	
PC3-500-4-600	508.0	20	24	25	510	20 1/8	36	110	39.6	1830	1830	1830	1830	1830	1830	1830			M12-M36	
PC3-500-5-600	508.0	20	30	29	510	20 1/8	45	100	45.9	3050	3050	3050	3050	3050	3050	3050	2440		M12-M36	
PC3-500-6-600	508.0	20	36	41	510	20 1/8	54	110	61.7	3810	3810	3810	3810	3810	3810	3810	3810		M20-M64	
PC3-500-7-600	508.0	20	42	45	510	20 1/8	63	160	91.5	5470	5470	5470	5470	5470	5470	5470	5430		M30-M64	
PC3-500-8-600	508.0	20	48	52	510	20 1/8	72	180	132.3	8900	8900	8900	8900	8900	8900	8900	8930		M42-M80	
PC3-500-9-600	508.0	20	56	58	520	20 1/2	84	140	110.6	9760	9760	9760	9760	9760	9760	9760	9670		M42-M80	
PC3-500-10-600	508.0	20	64	65	540	21 1/4	96	200	163.6	14900	14900	14900	14900	14900	14900	14900	13410		M42-M80	
PC3-500-11-600	508.0	20	72	69	580	22 1/8	108	180	196.7	23020	23020	23020	23020	23020	23020	20110			M42-M80	
PC3-500-12-600	508.0	20	80	77	580	22 1/8	120	200	220.2	23080	23080	23080	23080	23080	23080	23080	23080			M72-M80

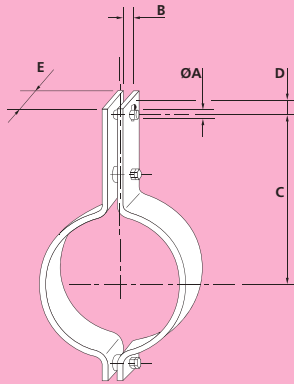
PC3 PIPE CLAMP THREE BOLT TYPE



Material: Carbon Steel to 400°C Alloy Steel above

Part Number	Pipe O/D		A	B	C		D	E	Weight	Load Capacity (kgf) at Temperature C						Compatible with Rod Sizes			
	mm	in			mm	mm				mm	in	mm	mm	kgf	350		400	490	630
PC3-550-3-400	558.8	22	20	20	20	500	19 11/16	30	55	15.7	1130	1060						M12-M24	
PC3-550-4-400	558.8	22	24	25	500	19 11/16	36	65	24.6	1650	1650							M12-M36	
PC3-550-5-400	558.8	22	30	29	500	19 11/16	45	90	34.8	2510	2510							M12-M36	
PC3-550-6-400	558.8	22	36	41	500	19 11/16	54	110	54.3	3810	3810							M20-M64	
PC3-550-7-400	558.8	22	42	45	500	19 11/16	63	130	65.9	5470	5470							M30-M64	
PC3-550-8-400	558.8	22	48	52	520	20 7/8	72	150	94.7	10160	9870							M42-M80	
PC3-550-9-400	558.8	22	56	58	550	21 5/8	84	150	98.5	10000	9950							M42-M80	
PC3-550-10-400	558.8	22	64	65	590	23 1/4	96	180	165.0	16090	16090							M42-M80	
PC3-550-11-400	558.8	22	72	69	610	24	108	180	173.9	20280	20090							M42-M80	
PC3-550-12-400	558.8	22	80	77	620	24 7/16	120	220	214.8	23470	23470							M72-M80	
PC3-550-13-400	558.8	22	80	85	640	25 1/8	120	200	252.3	30630	30630							M72-M80	
PC3-550-3-490	558.8	22	20	20	510	20 1/16	30	80	18.0	1170	1170	1050	820	540	380	270		M12-M24	
PC3-550-4-490	558.8	22	24	25	510	20 1/16	36	100	28.5	1830	1830	1830	1560	1040	730	520		M12-M36	
PC3-550-5-490	558.8	22	30	29	510	20 1/16	45	100	38.4	2790	2790	2790	2790	2000	1380	1000		M12-M36	
PC3-550-6-490	558.8	22	36	41	510	20 1/16	54	110	43.1	3810	3810	3690	3070	2100	1460	1060		M20-M64	
PC3-550-7-490	558.8	22	42	45	510	20 1/16	63	110	55.5	5470	5470	5470	4650	3340	2400	1710		M30-M64	
PC3-550-8-490	558.8	22	48	52	510	20 1/16	72	120	73.0	8340	8340	8340	7460	5620	4140	2920		M42-M80	
PC3-550-9-490	558.8	22	56	58	530	20 7/8	84	140	89.2	10000	10000	9850	8420	6340	4670	3290		M42-M80	
PC3-550-10-490	558.8	22	64	65	580	22 1/8	96	160	144.1	19620	19620	19210	17050	13900	10700	7500		M42-M80	
PC3-550-11-490	558.8	22	72	69	590	23 1/4	108	180	165.0	20230	20230	20230	19270	15700	12090	8470		M42-M80	
PC3-550-12-490	558.8	22	80	77	600	23 5/8	120	200	189.8	24110	24110	23610	20960	17080	13150	9210		M72-M80	
PC3-550-13-490	558.8	22	80	85	630	24 13/16	120	200	244.6	30830	30830	30830	30830	29060	23400	17390		M72-M80	
PC3-550-3-530	558.8	22	20	20	510	20 1/16	30	80	22.5	1320	1320	1320	1320	890	620	440		M12-M24	
PC3-550-4-530	558.8	22	24	25	510	20 1/16	36	100	38.0	1830	1830	1830	1830	1830	1830	1830	1000		M12-M36
PC3-550-5-530	558.8	22	30	29	510	20 1/16	45	100	38.4	2790	2790	2790	2790	2000	1380	1000		M12-M36	
PC3-550-6-530	558.8	22	36	41	510	20 1/16	54	90	44.2	3810	3810	3810	3810	2860	2050	1470		M20-M64	
PC3-550-7-530	558.8	22	42	45	510	20 1/16	63	130	65.1	5470	5470	5470	5470	3950	2830	2020		M30-M64	
PC3-550-8-530	558.8	22	48	52	510	20 1/16	72	120	73.0	8340	8340	8340	8340	7460	5620	4140	2920		M42-M80
PC3-550-9-530	558.8	22	56	58	550	21 5/8	84	140	120.1	10000	10000	10000	10000	10000	9600	6730		M42-M80	
PC3-550-10-530	558.8	22	64	65	570	22 7/16	96	160	140.8	14260	14260	14260	14260	14260	11060	7750		M42-M80	
PC3-550-11-530	558.8	22	72	69	590	23 1/4	108	180	165.0	20230	20230	20230	19270	15700	12090	8470		M42-M80	
PC3-550-12-530	558.8	22	80	77	600	23 5/8	120	200	207.6	26520	26520	25970	23050	18790	14460	10140		M72-M80	
PC3-550-13-530	558.8	22	80	85	630	24 13/16	120	200	244.6	30830	30830	30830	30830	29060	23400	17390		M72-M80	
PC3-550-3-560	558.8	22	20	20	540	21 1/4	30	80	23.0	1320	1320	1320	1320	1020	810	640		M12-M24	
PC3-550-4-560	558.8	22	24	25	540	21 1/4	36	100	38.6	1770	1770	1770	1770	1770	1740	1390		M12-M36	
PC3-550-5-560	558.8	22	30	29	540	21 1/4	45	110	43.2	2790	2790	2790	2790	2440	1930	1540		M12-M36	
PC3-550-6-560	558.8	22	36	41	540	21 1/4	54	110	55.0	3810	3810	3810	3810	3790	3030	2420		M20-M64	
PC3-550-7-560	558.8	22	42	45	540	21 1/4	63	110	67.9	5470	5470	5470	5470	5430	4390	3490		M30-M64	
PC3-550-8-560	558.8	22	48	52	540	21 1/4	72	150	92.7	8340	8340	8340	8340	7480	6400	4800		M42-M80	
PC3-550-9-560	558.8	22	56	58	550	21 5/8	84	140	120.1	10000	10000	10000	10000	10000	10000	8980		M42-M80	
PC3-550-10-560	558.8	22	64	65	570	22 7/16	96	160	140.8	14260	14260	14260	14260	14260	12170	9650		M42-M80	
PC3-550-11-560	558.8	22	72	69	590	23 1/4	108	200	182.4	20230	20230	20230	20230	20230	18010	14790		M42-M80	
PC3-550-12-560	558.8	22	80	77	620	24 7/16	120	200	238.5	29380	29380	29380	29380	29380	25210	20440		M72-M80	
PC3-550-13-560	558.8	22	80	85	630	24 13/16	120	200	244.6	30830	30830	30830	30830	29410	24760	20070		M72-M80	
PC3-550-3-600	558.8	22	20	20	540	21 1/4	30	100	38.4	1320	1320	1320	1320	1320	1320	1320		M12-M24	
PC3-550-4-600	558.8	22	24	25	540	21 1/4	36	90	43.5	1830	1830	1830	1830	1830	1830	1830		M12-M36	
PC3-550-5-600	558.8	22	30	29	540	21 1/4	45	100	49.1	3000	3000	3000	3000	3000	2870	2290		M12-M36	
PC3-550-6-600	558.8	22	36	41	540	21 1/4	54	120	71.8	3810	3810	3810	3810	3810	3810	3810		M20-M64	
PC3-550-7-600	558.8	22	42	45	540	21 1/4	63	120	98.5	5470	5470	5470	5470	5470	5470	5470		M30-M64	
PC3-550-8-600	558.8	22	48	52	540	21 1/4	72	130	107.5	9210	9210	9210	9210	9210	9210	9210		M42-M80	
PC3-550-9-600	558.8	22	56	58	590	23 1/4	84	170	144.8	10000	10000	10000	10000	10000	10000	10000		M42-M80	
PC3-550-10-600	558.8	22	64	65	590	23 1/4	96	180	199.3	15150	15150	15150	15150	15150	15150	15150		M42-M80	
PC3-550-11-600	558.8	22	72	69	610	24	108	180	208.0	21450	21450	21450	21450	21450	21450	21450		M42-M80	
PC3-550-12-600	558.8	22	80	77	620	24 7/16	120	230	272.5	29380	29380	29380	29380	29380	29380	29380		M72-M80	
PC3-550-13-600	558.8	22	80	85	620	24 7/16	120	280	328.5	30030	30030	30030	30030	30030	30030	28840		M72-M80	

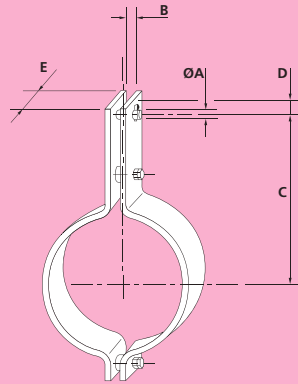
PC3 PIPE CLAMP THREE BOLT TYPE



Material: Carbon Steel to 400°C Alloy Steel above

Part Number	Pipe O/D		A	B	C		D	E	Weight	Load Capacity (kgf) at Temperature C						Compatible with Rod Sizes			
	mm	in			mm	in				mm	mm	350	400	490	530		560	580	600
PC3-600-3-400	609.6	24	20	20	520	20 ¹ / ₂	30	65	26.1	1320	1320							M12-M24	
PC3-600-4-400	609.6	24	24	24	520	20 ¹ / ₂	36	65	26.3	1620	1620							M12-M36	
PC3-600-5-400	609.6	24	30	29	520	20 ¹ / ₂	45	90	36.9	2360	2360							M12-M36	
PC3-600-6-400	609.6	24	36	41	520	20 ¹ / ₂	54	110	57.7	3810	3810							M20-M64	
PC3-600-7-400	609.6	24	42	45	520	20 ¹ / ₂	63	130	69.9	5470	5470							M30-M64	
PC3-600-8-400	609.6	24	48	52	550	21 ⁹ / ₁₆	72	150	100.9	9320	9080							M42-M80	
PC3-600-9-400	609.6	24	56	58	600	23 ⁹ / ₁₆	84	150	140.6	10000	10000							M42-M80	
PC3-600-10-400	609.6	24	64	65	610	24	96	180	173.2	15020	15020							M42-M80	
PC3-600-11-400	609.6	24	72	69	640	25 ⁹ / ₁₆	108	180	183.8	18700	18540							M42-M80	
PC3-600-12-400	609.6	24	80	77	670	26 ⁹ / ₁₆	120	200	265.9	31290	31150							M72-M80	
PC3-600-13-400	609.6	24	80	85	670	26 ⁹ / ₁₆	120	200	265.8	30830	30630							M72-M80	
PC3-600-3-490	609.6	24	20	20	540	21 ¹ / ₄	30	80	19.3	1130	1130	1020	810	530	370	270		M12-M24	
PC3-600-4-490	609.6	24	24	25	540	21 ¹ / ₄	36	100	30.5	1830	1830	1830	1530	1020	710	510		M12-M36	
PC3-600-5-490	609.6	24	30	29	540	21 ¹ / ₄	45	100	41.2	2730	2730	2730	2650	1830	1280	930		M12-M36	
PC3-600-6-490	609.6	24	36	41	540	21 ¹ / ₄	54	90	47.1	3810	3810	3810	3810	2790	2010	1440		M20-M64	
PC3-600-7-490	609.6	24	42	45	540	21 ¹ / ₄	63	120	64.2	5470	5470	5470	4880	3550	2560	1830		M30-M64	
PC3-600-8-490	609.6	24	48	52	540	21 ¹ / ₄	72	120	79.4	7970	7970	7690	6600	5020	3720	2620		M42-M80	
PC3-600-9-490	609.6	24	56	58	560	22 ¹ / ₁₆	84	150	101.1	10000	10000	10000	8650	6580	4880	3430		M42-M80	
PC3-600-10-490	609.6	24	64	65	610	24	96	160	152.3	18660	18660	18310	16320	13410	10370	7330		M42-M80	
PC3-600-11-490	609.6	24	72	69	620	24 ¹ / ₁₆	108	180	174.3	18880	18880	18880	16430	15160	11720	8280		M42-M80	
PC3-600-12-490	609.6	24	80	77	630	24 ⁹ / ₁₆	120	210	209.6	24030	24030	23570	21010	17280	13360	9440		M72-M80	
PC3-600-13-490	609.6	24	80	85	660	26	120	200	258.1	30830	30830	30830	30830	27050	22000	16440		M72-M80	
PC3-600-3-530	609.6	24	20	20	540	21 ¹ / ₄	30	80	24.1	1320	1320	1320	1210	810	570	400		M12-M24	
PC3-600-4-530	609.6	24	24	25	540	21 ¹ / ₄	36	100	40.8	1830	1830	1830	1830	1820	1270	920		M12-M36	
PC3-600-5-530	609.6	24	30	29	540	21 ¹ / ₄	45	100	41.2	2730	2730	2730	2650	1830	1280	930		M12-M36	
PC3-600-6-530	609.6	24	36	41	540	21 ¹ / ₄	54	90	47.1	3810	3810	3810	3810	2790	2010	1440		M20-M64	
PC3-600-7-530	609.6	24	42	45	540	21 ¹ / ₄	63	110	70.9	5470	5470	5470	5470	4750	3520	2480		M30-M64	
PC3-600-8-530	609.6	24	48	52	540	21 ¹ / ₄	72	130	84.0	7810	7810	7810	7810	7770	5910	4380		M42-M80	
PC3-600-9-530	609.6	24	56	58	580	22 ⁹ / ₁₆	84	140	127.3	10000	10000	10000	10000	9320	6590	4880		M42-M80	
PC3-600-10-530	609.6	24	64	65	610	24	96	160	152.3	18660	18660	18310	16320	13410	10370	7330		M42-M80	
PC3-600-11-530	609.6	24	72	69	620	24 ¹ / ₁₆	108	180	174.3	18880	18880	18880	18430	15160	11720	8280		M42-M80	
PC3-600-12-530	609.6	24	80	77	630	24 ⁹ / ₁₆	120	240	237.8	25890	25890	25890	24020	19740	15260	10790		M72-M80	
PC3-600-13-530	609.6	24	80	85	660	26	120	200	258.1	30830	30830	30830	30830	27050	22000	16440		M72-M80	
PC3-600-3-560	609.6	24	20	20	560	22 ¹ / ₁₆	30	100	30.6	1320	1320	1320	1320	1150	910	720		M12-M24	
PC3-600-4-560	609.6	24	24	25	560	22 ¹ / ₁₆	36	100	40.9	1660	1660	1660	1660	1660	1650	1360		M12-M36	
PC3-600-5-560	609.6	24	30	29	560	22 ¹ / ₁₆	45	90	47.0	2920	2920	2920	2920	2920	2380	1890		M12-M36	
PC3-600-6-560	609.6	24	36	41	560	22 ¹ / ₁₆	54	110	58.2	3810	3810	3810	3810	3810	3680	2950		M20-M64	
PC3-600-7-560	609.6	24	42	45	560	22 ¹ / ₁₆	63	120	78.3	5470	5470	5470	5470	5470	4450	3530		M30-M64	
PC3-600-8-560	609.6	24	48	52	560	22 ¹ / ₁₆	72	160	104.2	7810	7810	7810	7810	7810	7810	6250	4950		M42-M80
PC3-600-9-560	609.6	24	56	58	580	22 ⁹ / ₁₆	84	140	127.3	10000	10000	10000	10000	10000	10000	8120		M42-M80	
PC3-600-10-560	609.6	24	64	65	610	24	96	160	152.3	18660	18660	18310	16500	13800	11350	9030		M42-M80	
PC3-600-11-560	609.6	24	72	69	620	24 ¹ / ₁₆	108	210	201.9	18880	18880	18880	18880	18190	14960	11910		M42-M80	
PC3-600-12-560	609.6	24	80	77	650	25 ⁹ / ₁₆	120	200	252.0	27920	27920	27920	27920	27880	23610	19170		M72-M80	
PC3-600-13-560	609.6	24	80	85	660	26	120	210	270.3	30830	30830	30830	30830	28750	24340	19770		M72-M80	
PC3-600-3-600	609.6	24	20	20	560	22 ¹ / ₁₆	30	100	40.8	1320	1320	1320	1320	1320	1320	1320		M12-M24	
PC3-600-4-600	609.6	24	24	25	560	22 ¹ / ₁₆	36	90	46.1	1780	1780	1780	1780	1780	1780	1780		M12-M36	
PC3-600-5-600	609.6	24	30	29	560	22 ¹ / ₁₆	45	110	57.3	2920	2920	2920	2920	2920	2920	2900		M12-M36	
PC3-600-6-600	609.6	24	36	41	560	22 ¹ / ₁₆	54	120	76.0	3810	3810	3810	3810	3810	3810	3810		M20-M64	
PC3-600-7-600	609.6	24	42	45	560	22 ¹ / ₁₆	63	120	104.4	5470	5470	5470	5470	5470	5470	5470		M30-M64	
PC3-600-8-600	609.6	24	48	52	560	22 ¹ / ₁₆	72	130	113.5	8620	8620	8620	8620	8620	8620	7780		M42-M80	
PC3-600-9-600	609.6	24	56	58	580	22 ⁹ / ₁₆	84	170	153.8	10900	10900	10900	10900	10900	10900	10900		M42-M80	
PC3-600-10-600	609.6	24	64	65	630	24 ⁹ / ₁₆	96	180	215.8	20230	20230	20230	20230	20230	20230	17540		M42-M80	
PC3-600-11-600	609.6	24	72	69	640	25 ⁹ / ₁₆	108	190	232.0	20430	20430	20430	20430	20430	20430	18590		M42-M80	
PC3-600-12-600	609.6	24	80	77	650	25 ⁹ / ₁₆	120	250	312.0	27920	27920	27920	27920	27920	27920	23960		M72-M80	
PC3-600-13-600	609.6	24	80	85	660	26	120	300	379.8	30830	30830	30830	30830	30830	30830	28240		M72-M80	

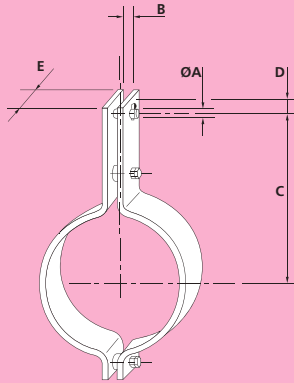
PC3 PIPE CLAMP THREE BOLT TYPE



Material: Carbon Steel to 400°C Alloy Steel above

Part Number	Pipe O/D		A	B	C		D	E	Weight	Load Capacity (kgf) at Temperature C						Compatible with Rod Sizes			
	mm	in			mm	in				mm	in	350	400	490	530		560	580	600
PC3-650-3-400	660.4	26	20	20	560	22 1/16	30	65	28.0	1320	1320							M12-M24	
PC3-650-4-400	660.4	26	24	25	560	22 1/16	36	65	28.6	1830	1820							M12-M36	
PC3-650-5-400	660.4	26	30	29	560	22 1/16	45	90	39.7	2340	2340							M12-M36	
PC3-650-6-400	660.4	26	36	41	560	22 1/16	54	110	61.7	3810	3810							M20-M64	
PC3-650-7-400	660.4	26	42	45	560	22 1/16	63	150	85.7	5470	5470							M30-M64	
PC3-650-8-400	660.4	26	48	52	570	22 1/16	72	150	106.0	8870	8620							M42-M80	
PC3-650-9-400	660.4	26	56	58	620	24 1/16	84	150	147.4	10000	10000							M42-M80	
PC3-650-10-400	660.4	26	64	65	640	25 1/16	96	180	183.0	14530	14530							M42-M80	
PC3-650-11-400	660.4	26	72	69	660	26	108	200	211.9	19740	19550							M42-M80	
PC3-650-12-400	660.4	26	80	77	700	27 3/16	120	200	278.6	29700	29560							M72-M80	
PC3-650-13-400	660.4	26	80	85	700	27 3/16	120	200	278.4	29940	29600							M72-M80	
PC3-650-3-490	660.4	26	20	20	590	23 1/4	30	80	26.1	1320	1320	1320	1140	760	530	380		M12-M24	
PC3-650-4-490	660.4	26	24	25	590	23 1/4	36	100	33.0	1830	1830	1800	1440	960	670	480		M12-M36	
PC3-650-5-490	660.4	26	30	29	590	23 1/4	45	100	44.4	2600	2600	2600	2520	1730	1200	870		M12-M36	
PC3-650-6-490	660.4	26	36	41	590	23 1/4	54	90	50.8	3810	3810	3810	3640	2630	1890	1350		M20-M64	
PC3-650-7-490	660.4	26	42	45	590	23 1/4	63	130	74.9	5470	5470	5470	4780	3450	2480	1770		M30-M64	
PC3-650-8-490	660.4	26	48	52	590	23 1/4	72	130	92.0	8220	8220	8220	7910	6770	5120	3780	2660		M42-M80
PC3-650-9-490	660.4	26	56	58	590	23 1/4	84	160	114.1	10000	10000	9810	8400	6340	4680	3300		M42-M80	
PC3-650-10-490	660.4	26	64	65	640	25 1/16	96	160	161.1	17180	17180	16840	14960	12230	9430	6630		M42-M80	
PC3-650-11-490	660.4	26	72	69	650	25 1/16	108	180	186.9	18830	18830	18450	16400	13400	10330	7260		M42-M80	
PC3-650-12-490	660.4	26	80	77	650	25 1/16	120	220	228.8	23920	23920	23440	20830	17030	13130	9230		M72-M80	
PC3-650-13-490	660.4	26	80	85	690	27 3/16	120	200	270.7	30830	30830	30830	29420	25570	20660	15380		M72-M80	
PC3-650-3-530	660.4	26	20	20	590	23 1/4	30	80	26.1	1320	1320	1320	1140	760	530	380		M12-M24	
PC3-650-4-530	660.4	26	24	25	590	23 1/4	36	100	43.5	1580	1580	1580	1580	1580	1270	920		M12-M36	
PC3-650-5-530	660.4	26	30	29	590	23 1/4	45	100	44.4	2600	2600	2600	2520	1730	1200	870		M12-M36	
PC3-650-6-530	660.4	26	36	41	590	23 1/4	54	100	56.3	3810	3810	3810	3810	3810	2920	2100	1500		M20-M64
PC3-650-7-530	660.4	26	42	45	590	23 1/4	63	110	76.2	5470	5470	5470	5470	4470	3300	2330		M30-M64	
PC3-650-8-530	660.4	26	48	52	590	23 1/4	72	140	97.3	7630	7630	7630	7630	7670	5740	4240	2990		M42-M80
PC3-650-9-530	660.4	26	56	58	610	24	84	140	135.0	10000	10000	10000	10000	10000	8460	5950		M42-M80	
PC3-650-10-530	660.4	26	64	65	640	25 1/16	96	160	161.1	17180	17180	16840	14960	12230	9430	6630		M42-M80	
PC3-650-11-530	660.4	26	72	69	650	25 1/16	108	200	206.6	20920	20920	20500	18220	14890	11480	8070		M42-M80	
PC3-650-12-530	660.4	26	80	77	670	26 3/8	120	200	263.2	26340	26340	26340	26340	26070	21070	15690		M72-M80	
PC3-650-13-530	660.4	26	80	85	690	27 3/16	120	200	270.7	30830	30830	30830	29420	25570	20660	15380		M72-M80	
PC3-650-3-560	660.4	26	20	20	610	24	30	100	33.0	1320	1320	1320	1320	1090	860	680		M12-M24	
PC3-650-4-560	660.4	26	24	25	610	24	36	100	44.2	1580	1580	1580	1580	1580	1280	950		M12-M36	
PC3-650-5-560	660.4	26	30	29	610	24	45	90	50.7	2780	2780	2780	2780	2780	2240	1790		M12-M36	
PC3-650-6-560	660.4	26	36	41	610	24	54	120	68.2	3810	3810	3810	3810	3810	3790	3040		M20-M64	
PC3-650-7-560	660.4	26	42	45	610	24	63	130	90.9	5470	5470	5470	5470	5470	4540	3600		M30-M64	
PC3-650-8-560	660.4	26	48	52	610	24	72	120	113.0	8380	8380	8380	8380	8380	8210	6520		M42-M80	
PC3-650-9-560	660.4	26	56	58	610	24	84	140	135.0	10000	10000	10000	10000	10000	9300	7380		M42-M80	
PC3-650-10-560	660.4	26	64	65	640	25 1/16	96	170	170.7	18090	18090	17890	16080	13400	11010	8740		M42-M80	
PC3-650-11-560	660.4	26	72	69	670	26 3/8	108	180	234.7	25850	25850	25850	25850	23580	19890	16130		M42-M80	
PC3-650-12-560	660.4	26	80	77	670	26 3/8	120	200	263.2	26340	26340	26340	26340	26340	22260	18050		M72-M80	
PC3-650-13-560	660.4	26	80	85	690	27 3/16	120	220	296.3	30830	30830	30830	30830	28470	24020	19480		M72-M80	
PC3-650-3-600	660.4	26	20	20	610	24	30	100	44.0	1320	1320	1320	1320	1320	1320	1270		M12-M24	
PC3-650-4-600	660.4	26	24	25	610	24	36	90	49.8	1700	1700	1700	1700	1700	1700	1700		M12-M36	
PC3-650-5-600	660.4	26	30	29	610	24	45	120	67.3	2780	2780	2780	2780	2780	2780	2380		M12-M36	
PC3-650-6-600	660.4	26	36	41	610	24	54	130	88.8	3810	3810	3810	3810	3810	3810	3750		M20-M64	
PC3-650-7-600	660.4	26	42	45	610	24	63	120	112.0	5470	5470	5470	5470	5470	5470	5470		M30-M64	
PC3-650-8-600	660.4	26	48	52	610	24	72	140	131.3	8380	8380	8380	8380	8380	8380	7800		M42-M80	
PC3-650-9-600	660.4	26	56	58	610	24	84	190	181.5	10000	10000	10000	10000	10000	10000	10000		M42-M80	
PC3-650-10-600	660.4	26	64	65	650	25 1/16	96	180	225.8	19130	19130	19130	19130	19130	19130	16540		M42-M80	
PC3-650-11-600	660.4	26	72	69	660	26	108	200	254.8	19310	19310	19310	19310	19310	19310	18440		M42-M80	
PC3-650-12-600	660.4	26	80	77	670	26 3/8	120	280	338.5	26340	26340	26340	26340	26340	26340	23470		M72-M80	
PC3-650-13-600	660.4	26	80	85	690	27 3/16	120	320	424.3	30830	30830	30830	30830	30830	30830	28330		M72-M80	

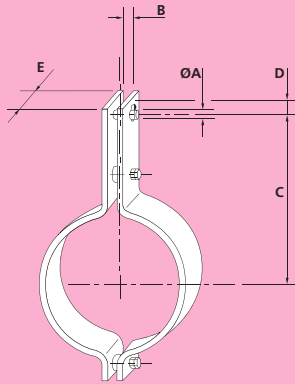
PC3 PIPE CLAMP THREE BOLT TYPE



Material: Carbon Steel to 400°C Alloy Steel above

Part Number	Pipe O/D		A	B	C		D	E	Weight	Load Capacity (kgf) at Temperature C						Compatible with Rod Sizes		
	mm	in			mm	in				mm	mm	350	400	490	530		560	580
PC3-700-3-400	711.2	28	20	20	590	23 ¹ / ₄	30	65	29.7	1320	1320							M12-M24
PC3-700-4-400	711.2	28	24	25	590	23 ¹ / ₄	36	65	30.2	1830	1740							M12-M36
PC3-700-5-400	711.2	28	30	29	590	23 ¹ / ₄	45	90	42.8	2420	2300							M12-M36
PC3-700-6-400	711.2	28	36	41	590	23 ¹ / ₄	54	110	65.3	3810	3810							M20-M64
PC3-700-7-400	711.2	28	42	45	590	23 ¹ / ₄	63	150	90.6	5470	5470							M30-M64
PC3-700-8-400	711.2	28	48	52	600	23 ³ / ₈	72	150	111.8	8470	8220							M42-M80
PC3-700-9-400	711.2	28	56	58	650	25 ³ / ₈	84	150	157.4	10000	10000							M42-M80
PC3-700-10-400	711.2	28	64	65	670	26 ³ / ₈	96	180	192.2	13810	13810							M42-M80
PC3-700-11-400	711.2	28	72	69	690	27 ³ / ₈	108	200	222.1	18830	18650							M42-M80
PC3-700-12-400	711.2	28	80	77	730	28 ³ / ₈	120	200	292.1	27670	27530							M72-M80
PC3-700-13-400	711.2	28	80	85	740	28 ³ / ₈	120	220	327.3	30000	29950							M72-M80
PC3-700-3-490	711.2	28	20	20	610	24	30	80	27.5	1320	1320	1320	1090	720	500	360		M12-M24
PC3-700-4-490	711.2	28	24	25	610	24	36	100	34.8	1750	1750	1600	1270	850	590	420		M12-M36
PC3-700-5-490	711.2	28	30	29	610	24	45	100	46.7	2490	2490	2490	2390	1630	1130	820		M12-M36
PC3-700-6-490	711.2	28	36	41	610	24	54	90	53.5	3810	3810	3810	3290	2360	1680	1210		M20-M64
PC3-700-7-490	711.2	28	42	45	610	24	63	130	78.6	5470	5470	5390	4550	3260	2330	1670		M30-M64
PC3-700-8-490	711.2	28	48	52	610	24	72	130	96.4	7850	7850	7550	6440	4830	3550	2510		M42-M80
PC3-700-9-490	711.2	28	56	58	630	24 ¹ / ₂	84	140	141.2	10000	10000	10000	10000	10000	7980	5580		M42-M80
PC3-700-10-490	711.2	28	64	65	660	26	96	160	168.2	16410	16410	16060	14230	11560	8890	6210		M42-M80
PC3-700-11-490	711.2	28	72	69	680	26 ³ / ₄	108	190	206.4	18970	18970	18560	16450	13370	10270	7180		M42-M80
PC3-700-12-490	711.2	28	80	77	680	26 ³ / ₄	120	240	261.5	23700	23700	23630	20940	17020	13080	9140		M72-M80
PC3-700-13-490	711.2	28	80	85	720	28 ³ / ₈	120	200	284.2	30120	30120	29980	27280	23670	19000	14090		M72-M80
PC3-700-3-530	711.2	28	20	20	610	24	30	80	27.5	1320	1320	1320	1090	720	500	360		M12-M24
PC3-700-4-530	711.2	28	24	25	610	24	36	100	46.3	1830	1830	1830	1830	1620	1130	810		M12-M36
PC3-700-5-530	711.2	28	30	29	610	24	45	100	46.7	2490	2490	2490	2390	1630	1130	820		M12-M36
PC3-700-6-530	711.2	28	36	41	610	24	54	100	59.3	3810	3810	3810	3650	2620	1870	1340		M20-M64
PC3-700-7-530	711.2	28	42	45	610	24	63	110	80.0	5470	5470	5470	5470	4230	3110	2200		M30-M64
PC3-700-8-530	711.2	28	48	52	610	24	72	150	110.7	9060	9060	8710	7430	5580	4100	2900		M42-M80
PC3-700-9-530	711.2	28	56	58	630	24 ¹ / ₂	84	140	141.2	10000	10000	10000	10000	10000	7980	5580		M42-M80
PC3-700-10-530	711.2	28	64	65	660	26	96	160	168.2	16410	16410	16060	14230	11560	8890	6210		M42-M80
PC3-700-11-530	711.2	28	72	69	680	26 ³ / ₄	108	210	221.7	20960	20960	20510	18180	14770	11350	7940		M42-M80
PC3-700-12-530	711.2	28	80	77	700	27 ³ / ₈	120	200	275.9	24990	24990	24990	24990	24770	19890	14750		M72-M80
PC3-700-13-530	711.2	28	80	85	720	28 ³ / ₈	120	210	297.7	30830	30830	30830	28640	24850	19950	14790		M72-M80
PC3-700-3-560	711.2	28	20	20	640	25 ³ / ₈	30	100	35.0	1320	1320	1320	1320	1030	820	640		M12-M24
PC3-700-4-560	711.2	28	24	25	640	25 ³ / ₈	36	100	47.2	1830	1830	1830	1830	1800	1420	1140		M12-M36
PC3-700-5-560	711.2	28	30	29	640	25 ³ / ₈	45	90	53.6	2660	2660	2660	2660	2660	2120	1690		M12-M36
PC3-700-6-560	711.2	28	36	41	640	25 ³ / ₈	54	100	72.5	3810	3810	3810	3810	3810	3140	2730		M20-M64
PC3-700-7-560	711.2	28	42	45	640	25 ³ / ₈	63	140	103.1	5470	5470	5470	5470	5470	4630	3680		M30-M64
PC3-700-8-560	711.2	28	48	52	640	25 ³ / ₈	72	120	120.8	10910	10910	10910	10910	9140	7510	5940		M42-M80
PC3-700-9-560	711.2	28	56	58	640	25 ³ / ₈	84	140	142.1	10000	10000	10000	10000	10000	8110	6980		M42-M80
PC3-700-10-560	711.2	28	64	65	660	26	96	180	188.4	17200	17200	17200	16190	13440	10320	8740		M42-M80
PC3-700-11-560	711.2	28	72	69	700	27 ³ / ₈	108	180	247.0	25030	25030	25030	25020	21810	18320	14840		M42-M80
PC3-700-12-560	711.2	28	80	77	700	27 ³ / ₈	120	200	275.9	24990	24990	24990	24990	24990	21070	17070		M72-M80
PC3-700-13-560	711.2	28	80	85	720	28 ³ / ₈	120	240	338.1	30830	30830	30830	30830	28750	24160	19570		M72-M80
PC3-700-3-600	711.2	28	20	20	640	25 ³ / ₈	30	100	46.6	1320	1320	1320	1320	1320	1320	1210		M12-M24
PC3-700-4-600	711.2	28	24	25	640	25 ³ / ₈	36	90	52.7	1630	1630	1630	1630	1630	1630	1620		M12-M36
PC3-700-5-600	711.2	28	30	29	640	25 ³ / ₈	45	100	71.4	2830	2830	2830	2830	2830	2830	2830		M12-M36
PC3-700-6-600	711.2	28	36	41	640	25 ³ / ₈	54	140	101.0	3810	3810	3810	3810	3810	3810	3810		M20-M64
PC3-700-7-600	711.2	28	42	45	640	25 ³ / ₈	63	120	118.2	5470	5470	5470	5470	5470	5470	5470		M30-M64
PC3-700-8-600	711.2	28	48	52	640	25 ³ / ₈	72	150	148.2	7980	7980	7980	7980	7980	7980	7700		M42-M80
PC3-700-9-600	711.2	28	56	58	640	25 ³ / ₈	84	200	201.0	10900	10900	10900	10900	10900	10900	10900		M42-M80
PC3-700-10-600	711.2	28	64	65	680	26 ³ / ₄	96	180	238.0	18540	18540	18540	18540	18540	18540	15200		M42-M80
PC3-700-11-600	711.2	28	72	69	690	27 ³ / ₈	108	220	294.5	18710	18710	18710	18710	18710	18710	18640		M42-M80
PC3-700-12-600	711.2	28	80	77	700	27 ³ / ₈	120	270	368.3	24990	24990	24990	24990	24990	24990	23040		M72-M80
PC3-700-13-600	711.2	28	80	85	720	28 ³ / ₈	120	350	486.3	30830	30830	30830	30830	30830	30830	28530		M72-M80

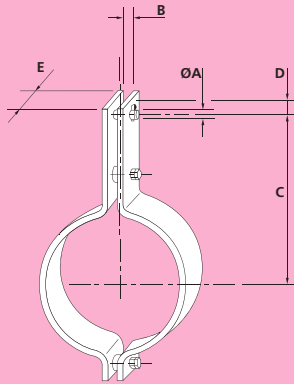
PC3 PIPE CLAMP THREE BOLT TYPE



Material: Carbon Steel to 400°C Alloy Steel above

Part Number	Pipe O/D		A		B		C		D		E		Weight	Load Capacity (kgf) at Temperature C							Compatible with Rod Sizes
	mm	in	mm	mm	mm	in	mm	mm	mm	mm	kgf	350		400	490	530	560	580	600		
PC3-750-4-400	762	30	24	25	640	25 ³ / ₁₆	36	65	32.4	1780	1690									M12-M36	
PC3-750-5-400	762	30	30	29	640	25 ³ / ₁₆	45	110	55.6	2870	2730									M12-M36	
PC3-750-6-400	762	30	36	41	640	25 ³ / ₁₆	54	110	69.7	3810	3810									M20-M64	
PC3-750-7-400	762	30	42	45	640	25 ³ / ₁₆	63	150	96.7	5470	5470									M30-M64	
PC3-750-8-400	762	30	48	52	640	25 ³ / ₁₆	72	150	118.5	8160	7940									M42-M80	
PC3-750-9-400	762	30	56	58	680	26 ³ / ₁₆	84	150	165.7	10000	10000									M42-M80	
PC3-750-10-400	762	30	64	65	710	27 ¹ / ₁₆	96	180	207.1	15770	15630									M42-M80	
PC3-750-11-400	762	30	72	69	720	28 ³ / ₁₆	108	220	255.3	19030	19030									M42-M80	
PC3-750-12-400	762	30	80	77	750	29 ¹ / ₂	120	200	303.4	28550	26430									M72-M80	
PC3-750-13-400	762	30	80	85	750	29 ¹ / ₂	120	220	331.8	28280	28280									M72-M80	
PC3-750-4-490	762	30	24	25	660	26	36	100	49.6	1830	1830	1830	1830	1610	1120	810				M12-M36	
PC3-750-5-490	762	30	30	29	660	26	45	100	50.0	2370	2370	2370	2340	1620	1120	820				M12-M36	
PC3-750-6-490	762	30	36	41	660	26	54	90	57.2	3810	3810	3790	3210	2320	1670	1190				M20-M64	
PC3-750-7-490	762	30	42	45	660	26	63	110	85.4	5470	5470	5470	5470	4150	3070	2160				M30-M64	
PC3-750-8-490	762	30	48	52	660	26	72	140	110.5	8160	8160	7860	6740	5110	3780	2660				M42-M80	
PC3-750-9-490	762	30	56	58	660	26	84	140	148.5	10000	10000	10000	10000	10000	7850	5530				M42-M80	
PC3-750-10-490	762	30	64	65	690	27 ¹ / ₁₆	96	160	176.6	15800	15800	15490	13790	11300	8730	6150					M42-M80
PC3-750-11-490	762	30	72	69	700	27 ¹ / ₁₆	108	200	226.0	19200	19200	18830	16760	13740	10610	7480					M42-M80
PC3-750-12-490	762	30	80	77	750	29 ¹ / ₂	120	200	298.2	28010	28010	27940	25480	22170	17970	13400					M72-M80
PC3-750-13-490	762	30	80	85	740	29 ¹ / ₂	120	200	295.6	28930	28930	28850	26310	22890	18560	13840					M72-M80
PC3-750-4-530	762	30	24	25	660	26	36	100	49.6	1830	1830	1830	1830	1610	1120	810				M12-M36	
PC3-750-5-530	762	30	30	29	660	26	45	100	50.0	2370	2370	2370	2340	1620	1120	820				M12-M36	
PC3-750-6-530	762	30	36	41	660	26	54	110	69.6	3810	3810	3810	3810	2840	2040	1460					M20-M64
PC3-750-7-530	762	30	42	45	660	26	63	110	85.4	5470	5470	5470	5470	4150	3070	2160					M30-M64
PC3-750-8-530	762	30	48	52	660	26	72	160	125.7	9320	9320	8980	7700	5840	4320	3040					M42-M80
PC3-750-9-530	762	30	56	58	660	26	84	140	148.5	10000	10000	10000	10000	10000	7850	5530					M42-M80
PC3-750-10-530	762	30	64	65	690	27 ¹ / ₁₆	96	160	176.6	15800	15800	15490	13790	11300	8730	6150					M42-M80
PC3-750-11-530	762	30	72	69	700	27 ¹ / ₁₆	108	220	247.6	21120	21120	20710	18440	15110	11670	8220					M42-M80
PC3-750-12-530	762	30	80	77	750	29 ¹ / ₂	120	200	298.2	28010	28010	27940	25480	22170	17970	13400					M72-M80
PC3-750-13-530	762	30	80	85	740	29 ¹ / ₂	120	220	323.6	30830	30830	30830	28940	25180	20410	15220					M72-M80
PC3-750-4-560	762	30	24	25	690	27 ¹ / ₁₆	36	100	50.5	1830	1830	1830	1830	1780	1400	1120					M12-M36
PC3-750-5-560	762	30	30	29	690	27 ¹ / ₁₆	45	90	57.3	2530	2530	2530	2530	2530	2090	1670					M12-M36
PC3-750-6-560	762	30	36	41	690	27 ¹ / ₁₆	54	100	77.4	3810	3810	3810	3810	3810	3380	2680					M20-M64
PC3-750-7-560	762	30	42	45	690	27 ¹ / ₁₆	63	140	110.0	5470	5470	5470	5470	5470	4540	3600					M30-M64
PC3-750-8-560	762	30	48	52	690	27 ¹ / ₁₆	72	120	128.6	10910	10910	10910	10690	8920	7340	5830					M42-M80
PC3-750-9-560	762	30	56	58	690	27 ¹ / ₁₆	84	140	151.2	10000	10000	10000	10000	10000	8610	6840					M42-M80
PC3-750-10-560	762	30	64	65	690	27 ¹ / ₁₆	96	190	208.4	16320	16320	16320	16320	13820	11370	9030					M42-M80
PC3-750-11-560	762	30	72	69	720	28 ³ / ₁₆	108	180	257.2	23740	23740	23740	23740	21120	17850	14490					M42-M80
PC3-750-12-560	762	30	80	77	730	28 ³ / ₁₆	120	200	289.6	24140	24140	24140	24140	23630	19970	16210					M72-M80
PC3-750-13-560	762	30	80	85	740	29 ¹ / ₂	120	250	365.7	30830	30830	30830	30830	28960	24480	19870					M72-M80
PC3-750-4-600	762	30	24	25	690	27 ¹ / ₁₆	36	90	56.5	1610	1610	1610	1610	1610	1610	1610					M12-M36
PC3-750-5-600	762	30	30	29	690	27 ¹ / ₁₆	45	100	76.3	2690	2690	2690	2690	2690	2690	2690					M12-M36
PC3-750-6-600	762	30	36	41	690	27 ¹ / ₁₆	54	140	107.8	3810	3810	3810	3810	3810	3810	3760					M20-M64
PC3-750-7-600	762	30	42	45	690	27 ¹ / ₁₆	63	120	125.9	5470	5470	5470	5470	5470	5470	5470					M30-M64
PC3-750-8-600	762	30	48	52	690	27 ¹ / ₁₆	72	150	157.9	7580	7580	7580	7580	7580	7580	7560					M42-M80
PC3-750-9-600	762	30	56	58	690	27 ¹ / ₁₆	84	200	214.0	10000	10000	10000	10000	10000	10000	9770					M42-M80
PC3-750-10-600	762	30	64	65	710	27 ¹ / ₁₆	96	180	249.7	17590	17590	17590	17590	17590	15990	14850					M42-M80
PC3-750-11-600	762	30	72	69	720	28 ³ / ₁₆	108	230	326.0	23740	23740	23740	23740	23740	22810	18510					M42-M80
PC3-750-12-600	762	30	80	77	730	28 ³ / ₁₆	120	290	414.5	24140	24140	24140	24140	24140	24140	23500					M72-M80

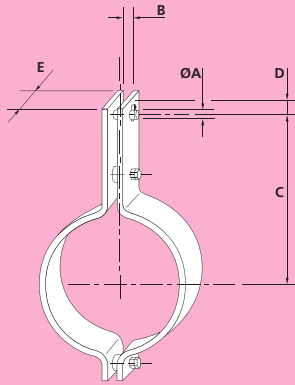
PC3 PIPE CLAMP THREE BOLT TYPE



Material: Carbon Steel to 400°C Alloy Steel above

Part Number	Pipe O/D		A	B	C		D	E	Weight	Load Capacity (kgf) at Temperature C						Compatible with Rod Sizes			
	mm	in			mm	in				mm	mm	350	400	490	530		560	580	600
PC3-800-4-400	812.8	32	24	25	660	26	36	65	33.9	1730	1650							M12-M36	
PC3-800-5-400	812.8	32	30	29	660	26	45	110	58.2	2790	2660							M12-M36	
PC3-800-6-400	812.8	32	36	41	660	26	54	110	72.9	3650	3650							M20-M64	
PC3-800-7-400	812.8	32	42	45	660	26	63	150	101.1	5470	5470							M30-M64	
PC3-800-8-400	812.8	32	48	52	660	26	72	150	124.1	7610	7420							M42-M80	
PC3-800-9-400	812.8	32	56	58	710	27 ^{9/16}	84	150	173.7	10000	10000							M42-M80	
PC3-800-10-400	812.8	32	64	65	740	29 ^{1/8}	96	180	216.5	15200	15070							M42-M80	
PC3-800-11-400	812.8	32	72	69	740	29 ^{1/8}	108	220	265.4	18120	18120							M42-M80	
PC3-800-12-400	812.8	32	80	77	780	30 ^{11/16}	120	200	317.3	24970	24870							M72-M80	
PC3-800-13-400	812.8	32	80	85	790	31 ^{1/8}	120	240	385.3	29520	29400							M72-M80	
PC3-800-4-490	812.8	32	24	25	690	27 ^{9/16}	36	100	52.2	1830	1830	1830	1830	1600	1120	810		M12-M36	
PC3-800-5-490	812.8	32	30	29	690	27 ^{9/16}	45	100	53.1	2760	2760	2580	2160	1510	1060	770		M12-M36	
PC3-800-6-490	812.8	32	36	41	690	27 ^{9/16}	54	90	60.1	3710	3710	3700	3140	2300	1670	1180		M20-M64	
PC3-800-7-490	812.8	32	42	45	690	27 ^{9/16}	63	110	89.7	5470	5470	5470	5350	4100	3050	2140		M30-M64	
PC3-800-8-490	812.8	32	48	52	690	27 ^{9/16}	72	150	124.4	8130	8130	7850	6760	5180	3850	2710		M42-M80	
PC3-800-9-490	812.8	32	56	58	690	27 ^{9/16}	84	140	156.4	10000	10000	10000	10000	9640	7470	5310		M42-M80	
PC3-800-10-490	812.8	32	64	65	720	28 ^{9/8}	96	160	185.4	14780	14780	14520	12980	10730	8320	5910		M42-M80	
PC3-800-11-490	812.8	32	72	69	730	28 ^{9/8}	108	210	248.4	18880	18880	18550	16580	13710	10630	7550		M42-M80	
PC3-800-12-490	812.8	32	80	77	770	30 ^{9/16}	120	200	309.7	26990	26990	26980	24660	21510	17600	13200		M72-M80	
PC3-800-13-490	812.8	32	80	85	770	30 ^{9/16}	120	210	324.1	28530	28530	28520	26070	22740	18610	13960		M72-M80	
PC3-800-4-530	812.8	32	24	25	690	27 ^{9/16}	36	100	52.2	1830	1830	1830	1830	1600	1120	810		M12-M36	
PC3-800-5-530	812.8	32	30	29	690	27 ^{9/16}	45	110	58.4	3030	3030	2840	2380	1660	1170	840		M12-M36	
PC3-800-6-530	812.8	32	36	41	690	27 ^{9/16}	54	110	73.2	3710	3710	3710	3710	2810	2040	1450		M20-M64	
PC3-800-7-530	812.8	32	42	45	690	27 ^{9/16}	63	110	89.7	5470	5470	5470	5470	5350	4100	3050	2140		M30-M64
PC3-800-8-530	812.8	32	48	52	690	27 ^{9/16}	72	120	133.0	10910	10910	10910	10910	9940	8210	6370	4520		M42-M80
PC3-800-9-530	812.8	32	56	58	690	27 ^{9/16}	84	140	156.4	10000	10000	10000	10000	9640	7470	5310		M42-M80	
PC3-800-10-530	812.8	32	64	65	720	28 ^{9/8}	96	170	196.6	15700	15700	15430	13790	11400	8940	6280		M42-M80	
PC3-800-11-530	812.8	32	72	69	750	29 ^{1/2}	108	180	269.7	23030	23030	23030	22620	19730	16150	12110		M42-M80	
PC3-800-12-530	812.8	32	80	77	770	30 ^{9/16}	120	200	309.7	26990	26990	26980	24660	21510	17600	13200		M72-M80	
PC3-800-13-530	812.8	32	80	85	770	30 ^{9/16}	120	230	353.6	30830	30830	30830	30830	28490	24900	20380		M72-M80	
PC3-800-4-560	812.8	32	24	25	710	27 ^{9/16}	36	100	52.8	1830	1830	1830	1830	1750	1390	1110		M12-M36	
PC3-800-5-560	812.8	32	30	29	710	27 ^{9/16}	45	90	60.1	2510	2510	2510	2510	2440	1960	1560		M12-M36	
PC3-800-6-560	812.8	32	36	41	710	27 ^{9/16}	54	100	80.9	3810	3810	3810	3810	3810	3360	2640		M20-M64	
PC3-800-7-560	812.8	32	42	45	710	27 ^{9/16}	63	140	114.8	5470	5470	5470	5470	5470	4470	3540		M30-M64	
PC3-800-8-560	812.8	32	48	52	710	27 ^{9/16}	72	120	134.5	10910	10910	10910	10050	8430	6940	5540		M42-M80	
PC3-800-9-560	812.8	32	56	58	710	27 ^{9/16}	84	140	158.1	10000	10000	10000	10000	9890	8150	6500		M42-M80	
PC3-800-10-560	812.8	32	64	65	720	28 ^{9/8}	96	200	230.0	15890	15890	15890	15890	13770	11340	9040		M42-M80	
PC3-800-11-560	812.8	32	72	69	750	29 ^{1/2}	108	180	269.7	23030	23030	23030	22770	19970	16980	13810		M42-M80	
PC3-800-12-560	812.8	32	80	77	770	30 ^{9/16}	120	220	339.3	29690	29690	29670	27300	23950	20360	16550		M72-M80	
PC3-800-13-560	812.8	32	80	85	770	30 ^{9/16}	120	260	397.8	30830	30830	30830	30830	28490	24220	19700		M72-M80	
PC3-800-4-600	812.8	32	24	25	710	27 ^{9/16}	36	100	66.2	1830	1830	1830	1830	1830	1830	1720		M12-M36	
PC3-800-5-600	812.8	32	30	29	710	27 ^{9/16}	45	100	80.0	2650	2650	2650	2650	2650	2650	2610		M12-M36	
PC3-800-6-600	812.8	32	36	41	710	27 ^{9/16}	54	140	112.7	3810	3810	3810	3810	3810	3810	3700		M20-M64	
PC3-800-7-600	812.8	32	42	45	710	27 ^{9/16}	63	120	131.9	5470	5470	5470	5470	5470	5470	5470		M30-M64	
PC3-800-8-600	812.8	32	48	52	710	27 ^{9/16}	72	160	176.1	7410	7410	7410	7410	7410	7410	7410		M42-M80	
PC3-800-9-600	812.8	32	56	58	710	27 ^{9/16}	84	210	234.9	10000	10000	10000	10000	10000	10000	9750		M42-M80	
PC3-800-10-600	812.8	32	64	65	740	29 ^{1/8}	96	180	262.0	17090	17090	17090	17090	17090	17090	14140		M42-M80	
PC3-800-11-600	812.8	32	72	69	750	29 ^{1/2}	108	240	356.3	23030	23030	23030	23030	23030	22640	18410		M42-M80	
PC3-800-12-600	812.8	32	80	77	770	30 ^{9/16}	120	310	472.2	32900	32900	32900	32900	32900	32900	28680	23330		M72-M80

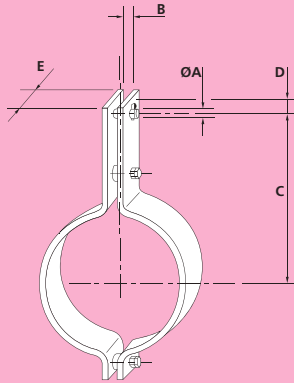
PC3 PIPE CLAMP THREE BOLT TYPE



Material: Carbon Steel to 400°C Alloy Steel above

Part Number	Pipe O/D		A	B	C		D	E	Weight	Load Capacity (kgf) at Temperature C						Compatible with Rod Sizes		
	mm	in			mm	in				mm	in	350	400	490	530		560	580
PC3-850-4-400	863.6	34	24	25	710	27 ¹⁵ / ₁₆	36	65	36.0	1670	1590							M12-M36
PC3-850-5-400	863.6	34	30	29	710	27 ¹⁵ / ₁₆	45	110	61.7	2890	2560							M12-M36
PC3-850-6-400	863.6	34	36	41	710	27 ¹⁵ / ₁₆	54	110	78.8	3810	3720							M20-M64
PC3-850-7-400	863.6	34	42	45	710	27 ¹⁵ / ₁₆	63	150	128.6	5470	5470							M30-M64
PC3-850-8-400	863.6	34	48	52	710	27 ¹⁵ / ₁₆	72	150	174.4	8920	8920							M42-M80
PC3-850-9-400	863.6	34	56	58	730	28 ⁹ / ₁₆	84	150	180.4	10000	10000							M42-M80
PC3-850-10-400	863.6	34	64	65	770	30 ⁵ / ₁₆	96	180	226.4	14240	14120							M42-M80
PC3-850-11-400	863.6	34	72	69	800	31 ¹ / ₂	108	200	324.9	23870	23760							M42-M80
PC3-850-12-400	863.6	34	80	77	810	31 ¹ / ₂	120	200	330.0	24030	23930							M72-M80
PC3-850-13-400	863.6	34	80	85	820	32 ⁵ / ₁₆	120	240	400.6	28390	28270							M72-M80
PC3-850-4-490	863.6	34	24	25	740	29 ¹ / ₈	36	100	55.5	1830	1830	1830	1830	1520	1060	770		M12-M36
PC3-850-5-490	863.6	34	30	29	740	29 ¹ / ₈	45	100	56.4	2660	2660	2480	2080	1440	1000	730		M12-M36
PC3-850-6-490	863.6	34	36	41	740	29 ¹ / ₈	54	100	71.7	3810	3810	3760	3180	2310	1670	1190		M20-M64
PC3-850-7-490	863.6	34	42	45	740	29 ¹ / ₈	63	110	95.3	5470	5470	5470	4920	3740	2770	1950		M30-M64
PC3-850-8-490	863.6	34	48	52	740	29 ¹ / ₈	72	150	131.6	7840	7840	7560	6490	4940	3660	2580		M42-M80
PC3-850-9-490	863.6	34	56	58	740	29 ¹ / ₈	84	140	165.3	10000	10000	10000	10000	9200	7110	5030		M42-M80
PC3-850-10-490	863.6	34	64	65	740	29 ¹ / ₈	96	160	192.7	14240	14240	13970	12450	10240	7920	5590		M42-M80
PC3-850-11-490	863.6	34	72	69	760	29 ¹ / ₈	108	220	271.1	19050	19050	18690	16660	13700	10590	7480		M42-M80
PC3-850-12-490	863.6	34	80	77	800	31 ¹ / ₂	120	200	322.4	25990	25990	25940	23680	20610	16770	12530		M72-M80
PC3-850-13-490	863.6	34	80	85	800	31 ¹ / ₂	120	220	352.8	28770	28770	28720	26210	22820	18560	13870		M72-M80
PC3-850-4-530	863.6	34	24	25	740	29 ¹ / ₈	36	100	55.5	1830	1830	1830	1830	1520	1060	770		M12-M36
PC3-850-5-530	863.6	34	30	29	740	29 ¹ / ₈	45	110	61.9	2930	2930	2730	2290	1580	1110	800		M12-M36
PC3-850-6-530	863.6	34	36	41	740	29 ¹ / ₈	54	120	85.7	3810	3810	3810	3810	2780	2000	1430		M20-M64
PC3-850-7-530	863.6	34	42	45	740	29 ¹ / ₈	63	120	103.7	5470	5470	5470	5360	4080	3020	2130		M30-M64
PC3-850-8-530	863.6	34	48	52	740	29 ¹ / ₈	72	120	140.7	10630	10630	10630	9540	7840	6060	4280		M42-M80
PC3-850-9-530	863.6	34	56	58	740	29 ¹ / ₈	84	140	165.3	10000	10000	10000	10000	9200	7110	5030		M42-M80
PC3-850-10-530	863.6	34	64	65	740	29 ¹ / ₈	96	180	215.9	15280	15280	15280	14010	11520	8900	6290		M42-M80
PC3-850-11-530	863.6	34	72	69	780	30 ¹¹ / ₁₆	108	180	281.1	22120	22120	22120	21730	18920	15390	11500		M42-M80
PC3-850-12-530	863.6	34	80	77	800	31 ¹ / ₂	120	200	322.4	25990	25990	25940	23680	20610	16770	12530		M72-M80
PC3-850-13-530	863.6	34	80	85	800	31 ¹ / ₂	120	240	383.6	30830	30830	30830	28600	24900	20250	15130		M72-M80
PC3-850-4-560	863.6	34	24	25	760	29 ¹ / ₈	36	100	56.1	1830	1830	1830	1830	1680	1330	1060		M12-M36
PC3-850-5-560	863.6	34	30	29	760	29 ¹ / ₈	45	90	63.7	2420	2420	2420	2420	2330	1870	1490		M12-M36
PC3-850-6-560	863.6	34	36	41	760	29 ¹ / ₈	54	100	85.7	3790	3790	3790	3790	3790	3180	2520		M20-M64
PC3-850-7-560	863.6	34	42	45	760	29 ¹ / ₈	63	150	130.5	5470	5470	5470	5470	5410	4380	3470		M30-M64
PC3-850-8-560	863.6	34	48	52	760	29 ¹ / ₈	72	120	142.3	10630	10630	10630	9640	8070	6640	5280		M42-M80
PC3-850-9-560	863.6	34	56	58	760	29 ¹ / ₈	84	150	178.7	10000	10000	10000	10000	10000	8340	6640		M42-M80
PC3-850-10-560	863.6	34	64	65	760	29 ¹ / ₈	96	210	253.3	15280	15280	15280	15280	13820	11370	9050		M42-M80
PC3-850-11-560	863.6	34	72	69	780	30 ¹¹ / ₁₆	108	180	281.1	22120	22120	22120	21880	19150	16220	13170		M42-M80
PC3-850-12-560	863.6	34	80	77	800	31 ¹ / ₂	120	230	368.7	29890	29890	29890	27420	24000	20320	16500		M72-M80
PC3-850-13-560	863.6	34	80	85	800	31 ¹ / ₂	120	270	429.7	30830	30830	30830	30830	28350	24010	19500		M72-M80
PC3-850-4-600	863.6	34	24	25	760	29 ¹ / ₈	36	100	70.3	1830	1830	1830	1830	1830	1640	1420		M12-M36
PC3-850-5-600	863.6	34	30	29	760	29 ¹ / ₈	45	100	84.8	2560	2560	2560	2560	2560	2560	2490		M12-M36
PC3-850-6-600	863.6	34	36	41	760	29 ¹ / ₈	54	150	127.9	3790	3790	3790	3790	3790	3790	3790		M20-M64
PC3-850-7-600	863.6	34	42	45	760	29 ¹ / ₈	63	120	139.6	5470	5470	5470	5470	5470	5470	5440		M30-M64
PC3-850-8-600	863.6	34	48	52	760	29 ¹ / ₈	72	170	200.1	10630	10630	10630	10630	10630	9400	7480		M42-M80
PC3-850-9-600	863.6	34	56	58	760	29 ¹ / ₈	84	220	260.0	10000	10000	10000	10000	10000	10000	9740		M42-M80
PC3-850-10-600	863.6	34	64	65	760	29 ¹ / ₈	96	180	272.2	16420	16420	16420	16420	16420	16420	15300		M42-M80
PC3-850-11-600	863.6	34	72	69	780	30 ¹¹ / ₁₆	108	250	386.7	22120	22120	22120	22120	22120	22120	18300		M42-M80
PC3-850-12-600	863.6	34	80	77	800	31 ¹ / ₂	120	330	522.8	31580	31580	31580	31580	31580	29150	23680		M72-M80

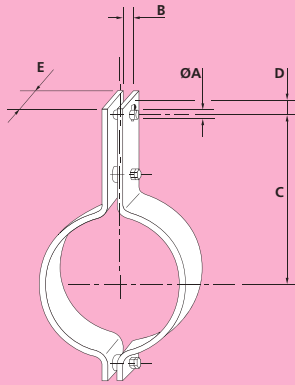
PC3 PIPE CLAMP THREE BOLT TYPE



Material: Carbon Steel to 400°C Alloy Steel above

Part Number	Pipe O/D		A	B	C		D	E	Weight	Load Capacity (kgf) at Temperature C						Compatible with Rod Sizes		
	mm	in			mm	in				mm	mm	kgf	350	400	490		530	560
PC3-900-4-400	914.4	36	24	25	740	29 1/8	36	90	52.0	1830	1830							M12-M36
PC3-900-5-400	914.4	36	30	29	740	29 1/8	45	110	64.8	2490	2380							M12-M36
PC3-900-6-400	914.4	36	36	41	740	29 1/8	54	130	97.0	3810	3810							M20-M64
PC3-900-7-400	914.4	36	42	45	740	29 1/8	63	150	136.3	5470	5470							M30-M64
PC3-900-8-400	914.4	36	48	52	740	29 1/8	72	150	182.2	8560	8560							M42-M80
PC3-900-9-400	914.4	36	56	58	760	29 1/8	84	150	188.3	10000	10000							M42-M80
PC3-900-10-400	914.4	36	64	65	790	31 1/8	96	180	234.7	13800	13690							M42-M80
PC3-900-11-400	914.4	36	72	69	830	32 1/8	108	200	338.8	22580	22490							M42-M80
PC3-900-12-400	914.4	36	80	77	830	32 1/8	120	200	341.5	23260	23170							M72-M80
PC3-900-13-400	914.4	36	80	85	850	33 7/8	120	260	450.2	29100	28990							M72-M80
PC3-900-4-490	914.4	36	24	25	760	29 1/8	36	100	58.0	1830	1830	1830	1830	1430	1000	720		M12-M36
PC3-900-5-490	914.4	36	30	29	760	29 1/8	45	100	58.7	2600	2600	2440	2050	1430	1010	730		M12-M36
PC3-900-6-490	914.4	36	36	41	760	29 1/8	54	110	82.1	3810	3810	3810	3280	2410	1750	1240		M20-M64
PC3-900-7-490	914.4	36	42	45	760	29 1/8	63	110	99.1	5470	5470	5470	4820	3700	2760	1940		M30-M64
PC3-900-8-490	914.4	36	48	52	760	29 1/8	72	160	145.7	8130	8130	7860	6780	5210	3880	2730		M42-M80
PC3-900-9-490	914.4	36	56	58	760	29 1/8	84	140	173.8	10000	10000	10000	10000	8770	6810	4850		M42-M80
PC3-900-10-490	914.4	36	64	65	770	30 5/8	96	160	201.1	13820	13820	13590	12170	10090	7830	5580		M42-M80
PC3-900-11-490	914.4	36	72	69	780	30 1/8	108	220	281.3	18480	18480	18170	16260	13480	10470	7460		M42-M80
PC3-900-12-490	914.4	36	80	77	830	32 1/8	120	200	336.3	24550	24550	24550	22660	19610	16100	12100		M72-M80
PC3-900-13-490	914.4	36	80	85	820	32 1/8	120	230	381.4	29140	29140	29140	26670	23280	19110	14360		M72-M80
PC3-900-4-530	914.4	36	24	25	760	29 1/8	36	100	58.0	1830	1830	1830	1830	1430	1000	720		M12-M36
PC3-900-5-530	914.4	36	30	29	760	29 1/8	45	90	66.2	3050	3050	3050	2770	2040	1480	1050		M12-M36
PC3-900-6-530	914.4	36	36	41	760	29 1/8	54	100	89.5	3810	3810	3810	3810	3350	2500	1750		M20-M64
PC3-900-7-530	914.4	36	42	45	760	29 1/8	63	130	116.7	5470	5470	5470	5470	4380	3260	2290		M30-M64
PC3-900-8-530	914.4	36	48	52	760	29 1/8	72	120	146.3	10190	10190	10190	9330	7390	6010	4280		M42-M80
PC3-900-9-530	914.4	36	56	58	760	29 1/8	84	140	171.8	10000	10000	10000	10000	9070	7040	5020		M42-M80
PC3-900-10-530	914.4	36	64	65	770	30 5/8	96	180	225.4	14640	14640	14640	13690	11350	8910	6270		M42-M80
PC3-900-11-530	914.4	36	72	69	800	31 1/2	108	180	291.5	21200	21200	21200	21170	18480	15170	11400		M42-M80
PC3-900-12-530	914.4	36	80	77	830	32 1/8	120	210	352.4	25780	25780	25780	23590	20590	16800	12700		M72-M80
PC3-900-13-530	914.4	36	80	85	820	32 1/8	120	250	413.3	30690	30690	30680	28980	25300	20770	15610		M72-M80
PC3-900-4-560	914.4	36	24	25	790	31 1/8	36	110	64.8	1830	1830	1830	1830	1720	1370	1090		M12-M36
PC3-900-5-560	914.4	36	30	29	790	31 1/8	45	90	66.7	2320	2320	2320	2320	2310	1850	1480		M12-M36
PC3-900-6-560	914.4	36	36	41	790	31 1/8	54	100	89.9	3740	3740	3740	3740	3700	3000	2380		M20-M64
PC3-900-7-560	914.4	36	42	45	790	31 1/8	63	160	145.4	5470	5470	5470	5470	5470	4610	3660		M30-M64
PC3-900-8-560	914.4	36	48	52	790	31 1/8	72	120	148.5	10190	10190	10190	9430	7930	6540	5220		M42-M80
PC3-900-9-560	914.4	36	56	58	790	31 1/8	84	150	186.5	10000	10000	10000	10000	9970	8210	6560		M42-M80
PC3-900-10-560	914.4	36	64	65	790	31 1/8	96	210	264.4	14640	14640	14640	14640	13580	11190	8930		M42-M80
PC3-900-11-560	914.4	36	72	69	800	31 1/2	108	180	291.5	21200	21200	21200	21200	18700	15930	12960		M42-M80
PC3-900-12-560	914.4	36	80	77	830	32 1/8	120	240	400.7	29460	29460	29460	27130	23820	20280	16510		M72-M80
PC3-900-13-560	914.4	36	80	85	820	32 1/8	120	280	461.1	30680	30680	30680	30680	28680	24430	19880		M72-M80
PC3-900-4-600	914.4	36	24	25	790	31 1/8	36	100	73.6	1830	1830	1830	1830	1830	1430	1100		M12-M36
PC3-900-5-600	914.4	36	30	29	790	31 1/8	45	100	88.8	2460	2460	2460	2460	2460	2460	2460		M12-M36
PC3-900-6-600	914.4	36	36	41	790	31 1/8	54	160	143.0	3740	3740	3740	3740	3740	3740	3740		M20-M64
PC3-900-7-600	914.4	36	42	45	790	31 1/8	63	120	145.9	5470	5470	5470	5470	5470	5470	5380		M30-M64
PC3-900-8-600	914.4	36	48	52	790	31 1/8	72	180	221.0	10190	10190	10190	10190	10190	9800	7830		M42-M80
PC3-900-9-600	914.4	36	56	58	790	31 1/8	84	180	278.8	10000	10000	10000	10000	10000	10000	10000		M42-M80
PC3-900-10-600	914.4	36	64	65	790	31 1/8	96	190	299.3	15740	15740	15740	15740	15740	15740	14030		M42-M80
PC3-900-11-600	914.4	36	72	69	800	31 1/2	108	250	401.0	21200	21200	21200	21200	21200	21200	18000		M42-M80
PC3-900-12-600	914.4	36	80	77	830	32 1/8	120	340	561.7	30780	30780	30780	30780	30780	28730	23380		M72-M80

PC3 PIPE CLAMP THREE BOLT TYPE



Material: Carbon Steel to 400°C Alloy Steel above 400°C

Part Number	Pipe O/D		A		B		C		D		E		Weight	Load Capacity (kgf) at Temperature C							Compatible with Rod Sizes
	mm	in	mm	mm	mm	in	mm	mm	mm	mm	kgf	350		400	490	530	560	580	600		
PC3-950-4-400	965.2	38	24	25	770	30 ⁵ / ₁₆	36	90	54.5	1830	1830									M12-M36	
PC3-950-5-400	965.2	38	30	29	770	30 ⁵ / ₁₆	45	110	67.8	2440	2340									M12-M36	
PC3-950-6-400	965.2	38	36	41	770	30 ⁵ / ₁₆	54	130	101.3	3810	3810									M20-M64	
PC3-950-7-400	965.2	38	42	45	770	30 ⁵ / ₁₆	63	150	142.6	5470	5470									M30-M64	
PC3-950-8-400	965.2	38	48	52	770	30 ⁵ / ₁₆	72	150	190.6	8410	8410									M42-M80	
PC3-950-9-400	965.2	38	56	58	790	31 ¹ / ₈	84	150	196.7	10000	10000									M42-M80	
PC3-950-10-400	965.2	38	64	65	820	32 ⁵ / ₁₆	96	200	270.1	14900	14780									M42-M80	
PC3-950-11-400	965.2	38	72	69	850	33 ⁷ / ₁₆	108	200	350.3	21900	21830									M42-M80	
PC3-950-12-400	965.2	38	80	77	860	33 ⁷ / ₁₆	120	220	389.2	24170	24170									M72-M80	
PC3-950-13-400	965.2	38	80	85	870	34 ¹ / ₄	120	280	499.3	30380	30280									M72-M80	
PC3-950-4-490	965.2	38	24	25	790	31 ¹ / ₈	36	100	60.6	1830	1830	1830	1830	1430	1020	730				M12-M36	
PC3-950-5-490	965.2	38	30	29	790	31 ¹ / ₈	45	110	67.6	2650	2650	2490	2100	1490	1060	760				M12-M36	
PC3-950-6-490	965.2	38	36	41	790	31 ¹ / ₈	54	110	85.7	3810	3810	3790	3220	2400	1760	1240				M20-M64	
PC3-950-7-490	965.2	38	42	45	790	31 ¹ / ₈	63	110	103.5	5470	5470	5470	4740	3680	2760	1930				M30-M64	
PC3-950-8-490	965.2	38	48	52	790	31 ¹ / ₈	72	160	152.1	7930	7930	7680	6660	5180	3880	2720				M42-M80	
PC3-950-9-490	965.2	38	56	58	790	31 ¹ / ₈	84	140	181.7	10000	10000	10000	10000	8400	6560	4710				M42-M80	
PC3-950-10-490	965.2	38	64	65	790	31 ¹ / ₈	96	170	221.0	14070	14070	14070	12660	10610	8270	5940				M42-M80	
PC3-950-11-490	965.2	38	72	69	830	32 ¹¹ / ₁₆	108	180	303.9	20740	20740	20740	20120	17620	14620	11050				M42-M80	
PC3-950-12-490	965.2	38	80	77	850	33 ⁷ / ₁₆	120	200	347.7	23830	23830	23830	21920	19190	15930	12040				M72-M80	
PC3-950-13-490	965.2	38	80	85	850	33 ⁷ / ₁₆	120	240	414.0	28770	28770	28770	26470	23170	19230	14540				M72-M80	
PC3-950-4-530	965.2	38	24	25	790	31 ¹ / ₈	36	100	60.6	1830	1830	1830	1830	1430	1020	730				M12-M36	
PC3-950-5-530	965.2	38	30	29	790	31 ¹ / ₈	45	90	69.2	3050	3050	3050	2730	2030	1490	1050				M12-M36	
PC3-950-6-530	965.2	38	36	41	790	31 ¹ / ₈	54	100	93.5	3810	3810	3810	3810	3340	2500	1750				M20-M64	
PC3-950-7-530	965.2	38	42	45	790	31 ¹ / ₈	63	130	121.9	5470	5470	5470	5470	4350	3270	2290				M30-M64	
PC3-950-8-530	965.2	38	48	52	790	31 ¹ / ₈	72	120	153.0	9970	9970	9830	8930	7400	5780	4150				M42-M80	
PC3-950-9-530	965.2	38	56	58	790	31 ¹ / ₈	84	140	179.2	9910	9910	9910	9910	9910	8990	7010				M42-M80	
PC3-950-10-530	965.2	38	64	65	790	31 ¹ / ₈	96	190	233.6	14070	14070	14070	13400	11230	8760	6290				M42-M80	
PC3-950-11-530	965.2	38	72	69	830	32 ¹¹ / ₁₆	108	180	303.9	20740	20740	20740	20120	17620	14620	11050				M42-M80	
PC3-950-12-530	965.2	38	80	77	850	33 ⁷ / ₁₆	120	220	381.1	26210	26210	26210	24110	21110	17520	13240				M72-M80	
PC3-950-13-530	965.2	38	80	85	850	33 ⁷ / ₁₆	120	260	447.2	29960	29960	29960	28670	25100	20830	15750				M72-M80	
PC3-950-4-560	965.2	38	24	25	820	32 ⁵ / ₁₆	36	110	67.7	1830	1830	1830	1830	1710	1370	1090				M12-M36	
PC3-950-5-560	965.2	38	30	29	820	32 ⁵ / ₁₆	45	100	78.0	3050	3050	3050	3050	2420	1950	1550				M12-M36	
PC3-950-6-560	965.2	38	36	41	820	32 ⁵ / ₁₆	54	110	104.2	3810	3810	3810	3810	3810	3140	2480				M20-M64	
PC3-950-7-560	965.2	38	42	45	820	32 ⁵ / ₁₆	63	160	151.8	5470	5470	5470	5470	5470	4580	3630				M30-M64	
PC3-950-8-560	965.2	38	48	52	820	32 ⁵ / ₁₆	72	120	155.2	9970	9970	9830	8930	7560	6250	5010				M42-M80	
PC3-950-9-560	965.2	38	56	58	820	32 ⁵ / ₁₆	84	150	194.5	9910	9910	9910	9910	9910	9840	8130	6510			M42-M80	
PC3-950-10-560	965.2	38	64	65	820	32 ⁵ / ₁₆	96	210	275.4	14070	14070	14070	14070	13390	11060	8860				M42-M80	
PC3-950-11-560	965.2	38	72	69	830	32 ¹¹ / ₁₆	108	190	320.3	20740	20740	20740	20740	18820	16130	13160				M42-M80	
PC3-950-12-560	965.2	38	80	77	850	33 ⁷ / ₁₆	120	240	414.5	28600	28600	28600	26450	23310	19980	16300				M72-M80	
PC3-950-13-560	965.2	38	80	85	850	33 ⁷ / ₁₆	120	290	497.1	29960	29960	29960	29960	28340	24290	19810				M72-M80	
PC3-950-4-600	965.2	38	24	25	820	32 ⁵ / ₁₆	36	100	76.9	1830	1830	1830	1830	1830	1830	1620				M12-M36	
PC3-950-5-600	965.2	38	30	29	820	32 ⁵ / ₁₆	45	100	92.8	2360	2360	2360	2360	2360	2360	2360				M12-M36	
PC3-950-6-600	965.2	38	36	41	820	32 ⁵ / ₁₆	54	120	151.7	3810	3810	3810	3810	3810	3810	3810				M20-M64	
PC3-950-7-600	965.2	38	42	45	820	32 ⁵ / ₁₆	63	130	165.1	5470	5470	5470	5470	5470	5470	5470				M30-M64	
PC3-950-8-600	965.2	38	48	52	820	32 ⁵ / ₁₆	72	180	231.1	10020	10020	10020	10020	10020	9370	7510				M42-M80	
PC3-950-9-600	965.2	38	56	58	820	32 ⁵ / ₁₆	84	180	291.2	10000	10000	10000	10000	10000	10000	10000				M42-M80	
PC3-950-10-600	965.2	38	64	65	820	32 ⁵ / ₁₆	96	190	312.5	15410	15410	15410	15410	15410	15410	15410				M42-M80	
PC3-950-11-600	965.2	38	72	69	830	32 ¹¹ / ₁₆	108	260	434.6	20740	20740	20740	20740	20740	20740	18010				M42-M80	
PC3-950-12-600	965.2	38	80	77	850	33 ⁷ / ₁₆	120	340	581.2	29550	29550	29550	29550	29550	28300	23080				M72-M80	

1

2

3

4

5

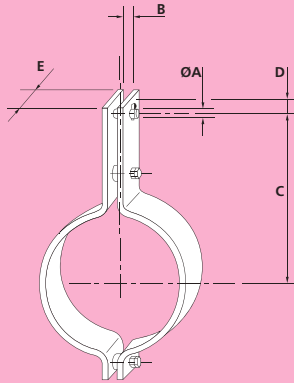
6

7

8

9

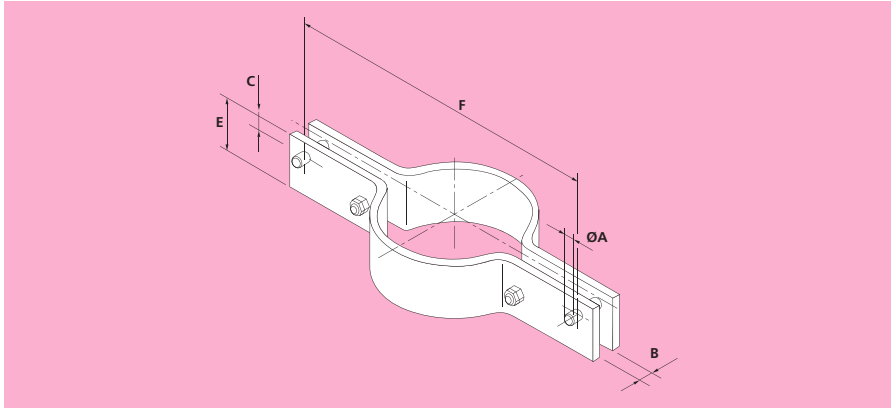
PC3 PIPE CLAMP THREE BOLT TYPE



Material: Carbon Steel to 400°C Alloy Steel above

Part Number	Pipe O/D		A	B	C		D	E	Weight	Load Capacity (kgf) at Temperature C							Compatible with Rod Sizes		
	mm	in			mm	in				mm	mm	350	400	490	530	560		580	600
PC3-1000-4-400	1016	40	24	25	790	311/8	36	90	56.6	1810	1810								M12-M36
PC3-1000-5-400	1016	40	30	29	790	311/8	45	110	87.6	3050	3050								M12-M36
PC3-1000-6-400	1016	40	36	41	790	311/8	54	130	105.0	3810	3810								M20-M64
PC3-1000-7-400	1016	40	42	45	790	311/8	63	150	147.7	5470	5470								M30-M64
PC3-1000-8-400	1016	40	48	52	790	311/8	72	150	197.4	8150	8150								M42-M80
PC3-1000-9-400	1016	40	56	58	810	317/8	84	150	203.5	10000	10000								M42-M80
PC3-1000-10-400	1016	40	64	65	840	331/8	96	200	279.3	14440	14320								M42-M80
PC3-1000-11-400	1016	40	72	69	880	345/8	108	200	363.1	21220	21140								M42-M80
PC3-1000-12-400	1016	40	80	77	890	351/8	120	220	403.4	23370	23370								M72-M80
PC3-1000-13-400	1016	40	80	85	900	357/8	120	280	517.4	29410	29300								M72-M80
PC3-1000-4-490	1016	40	24	25	820	325/8	36	100	63.2	1830	1830	1830	1830	1370	960	690			M12-M36
PC3-1000-5-490	1016	40	30	29	820	325/8	45	110	70.5	2570	2570	2410	2030	1430	1010	730			M12-M36
PC3-1000-6-490	1016	40	36	41	820	325/8	54	110	89.3	3810	3810	3660	3110	2300	1670	1190			M20-M64
PC3-1000-7-490	1016	40	42	45	820	325/8	63	120	117.4	5470	5470	5470	4990	3850	2870	2010			M30-M64
PC3-1000-8-490	1016	40	48	52	820	325/8	72	160	158.3	7690	7690	7440	6420	4950	3700	2590			M42-M80
PC3-1000-9-490	1016	40	56	58	820	325/8	84	140	186.8	9810	9810	9810	9810	8320	6470	4620			M42-M80
PC3-1000-10-490	1016	40	64	65	820	325/8	96	180	243.6	13910	13910	13910	12530	10410	8100	5780			M42-M80
PC3-1000-11-490	1016	40	72	69	860	337/8	108	180	315.5	20070	20070	20070	19430	16980	13980	10520			M42-M80
PC3-1000-12-490	1016	40	80	77	880	345/8	120	200	360.6	23090	23090	23090	21160	18490	15230	11460			M72-M80
PC3-1000-13-490	1016	40	80	85	880	345/8	120	250	446.7	28960	28960	28960	26610	23250	19520	14410			M72-M80
PC3-1000-4-530	1016	40	24	25	820	325/8	36	100	63.2	1830	1830	1830	1830	1370	960	690			M12-M36
PC3-1000-5-530	1016	40	30	29	820	325/8	45	90	72.1	3050	3050	3050	2640	1950	1420	1010			M12-M36
PC3-1000-6-530	1016	40	36	41	820	325/8	54	100	97.4	3810	3810	3810	3810	3190	2380	1670			M20-M64
PC3-1000-7-530	1016	40	42	45	820	325/8	63	130	127.0	5470	5470	5470	5400	4170	3100	2180			M30-M64
PC3-1000-8-530	1016	40	48	52	820	325/8	72	120	159.2	9670	9670	9520	8530	7090	5520	3940			M42-M80
PC3-1000-9-530	1016	40	56	58	820	325/8	84	140	186.8	9810	9810	9810	9810	8320	6470	4620			M42-M80
PC3-1000-10-530	1016	40	64	65	820	325/8	96	200	269.9	13910	13910	13910	13170	11570	9000	6420			M42-M80
PC3-1000-11-530	1016	40	72	69	860	337/8	108	180	315.5	20070	20070	20070	19430	16980	13980	10520			M42-M80
PC3-1000-12-530	1016	40	80	77	880	345/8	120	220	395.3	25400	25400	25400	23280	20340	16750	12610			M72-M80
PC3-1000-13-530	1016	40	80	85	880	345/8	120	270	481.3	28960	28960	28960	28740	25110	20680	15560			M72-M80
PC3-1000-4-560	1016	40	24	25	840	331/8	36	110	70.2	1830	1830	1830	1830	1650	1310	1040			M12-M36
PC3-1000-5-560	1016	40	30	29	840	331/8	45	100	80.8	3050	3050	3050	2960	2320	1870	1480			M12-M36
PC3-1000-6-560	1016	40	36	41	840	331/8	54	110	108.0	3810	3810	3810	3810	3700	3010	2380			M20-M64
PC3-1000-7-560	1016	40	42	45	840	331/8	63	160	157.3	5470	5470	5470	5470	5410	4390	3480			M30-M64
PC3-1000-8-560	1016	40	48	52	840	331/8	72	130	173.8	9710	9710	9710	9340	7870	6490	5190			M42-M80
PC3-1000-9-560	1016	40	56	58	840	331/8	84	160	214.9	9810	9810	9810	9810	9740	8030	6420			M42-M80
PC3-1000-10-560	1016	40	64	65	840	331/8	96	180	306.7	14910	14910	14910	14910	14910	14910	12240			M42-M80
PC3-1000-11-560	1016	40	72	69	860	337/8	108	190	332.5	20070	20070	20070	20070	18140	15480	12600			M42-M80
PC3-1000-12-560	1016	40	80	77	880	345/8	120	250	447.3	28580	28580	28580	26610	23390	19960	16250			M72-M80
PC3-1000-13-560	1016	40	80	85	880	345/8	120	300	533.1	28960	28960	28960	28960	28240	24090	19620			M72-M80
PC3-1000-4-600	1016	40	24	25	840	331/8	36	110	87.7	1830	1830	1830	1830	1830	1830	1710			M12-M36
PC3-1000-5-600	1016	40	30	29	840	331/8	45	100	96.2	2290	2290	2290	2290	2290	2290	2290			M12-M36
PC3-1000-6-600	1016	40	36	41	840	331/8	54	120	157.2	3810	3810	3810	3810	3810	3810	3810			M20-M64
PC3-1000-7-600	1016	40	42	45	840	331/8	63	140	184.1	5470	5470	5470	5470	5470	5470	5470			M30-M64
PC3-1000-8-600	1016	40	48	52	840	331/8	72	190	252.4	9710	9710	9710	9710	9710	9710	9710			M42-M80
PC3-1000-9-600	1016	40	56	58	840	331/8	84	180	301.4	10000	10000	10000	10000	10000	10000	10000			M42-M80
PC3-1000-10-600	1016	40	64	65	840	331/8	96	200	340.0	14910	14910	14910	14910	14910	14910	13600			M42-M80
PC3-1000-11-600	1016	40	72	69	860	337/8	108	280	485.4	20070	20070	20070	20070	20070	20070	18570			M42-M80

RC4 PRESSED RISER CLAMP FOUR BOLT TYPE



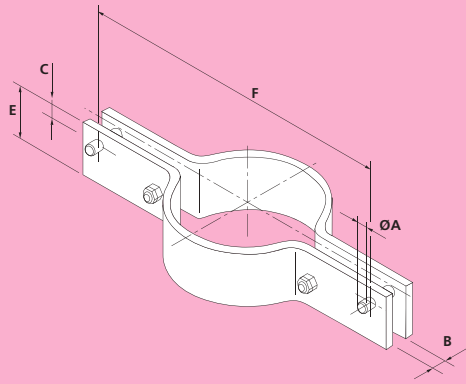
Material: Carbon Steel to 400°C Alloy Steel above 400°C

Order by Part No. and Rod Centres "F"

Part Number	Pipe O/D		A	B	C		E		F		Weight kgf		Load Capacity (kgf) at Temperature C							Compatible with Rod Sizes			
	mm	in			mm	in	Min.	Max.	Min.	Max.	Min.	Max.	350	400	450	530	560	580	600				
RC4-15-0-400	21.3	0.84	12	15	18	1 1/16	50	90	200	800	2.0	18.0	510	470									M8-M16
RC4-15-0-490	21.3	0.84	12	15	18	1 1/16	50	90	200	800	2.0	18.0	520	520	460	340	210	150	120				M8-M16
RC4-15-0-530	21.3	0.84	12	15	18	1 1/16	70	120	200	800	2.8	24.0	720	720	640	490	300	220	160				M8-M16
RC4-15-0-560	21.3	0.84	12	15	18	1 1/16	70	90	200	800	3.3	24.0	780	780	780	670	490	390	310				M8-M16
RC4-15-0-600	21.3	0.84	12	15	18	1 1/16	70	130	200	800	4.1	34.6	780	780	780	780	750	590	470				M8-M16
RC4-20-0-400	26.7	1.05	12	15	18	1 1/16	50	90	200	800	2.0	18.0	510	470									M8-M16
RC4-20-0-490	26.7	1.05	12	15	18	1 1/16	50	90	200	800	2.0	18.0	530	530	470	340	210	150	120				M8-M16
RC4-20-0-530	26.7	1.05	12	15	18	1 1/16	70	120	200	800	2.8	24.0	720	720	640	490	300	220	170				M8-M16
RC4-20-0-560	26.7	1.05	12	15	18	1 1/16	70	90	200	800	3.3	24.0	780	780	780	670	490	390	310				M8-M16
RC4-20-0-600	26.7	1.05	12	15	18	1 1/16	70	130	200	800	4.1	34.6	780	780	780	780	750	590	460				M8-M16
RC4-25-0-400	33.4	1.31	12	15	18	1 1/16	50	90	200	800	2.1	18.1	510	480									M8-M16
RC4-25-0-490	33.4	1.31	12	15	18	1 1/16	50	90	200	800	2.1	18.1	530	530	480	360	220	160	120				M8-M16
RC4-25-0-530	33.4	1.31	12	15	18	1 1/16	70	120	200	800	2.8	24.1	730	730	650	500	320	230	170				M8-M16
RC4-25-0-560	33.4	1.31	12	15	18	1 1/16	60	90	200	800	2.9	24.1	780	780	780	660	480	380	300				M8-M16
RC4-25-0-600	33.4	1.31	12	15	18	1 1/16	90	130	200	800	4.3	34.7	780	780	780	780	750	600	470				M8-M16
RC4-32-0-400	42.2	1.66	12	15	18	1 1/16	50	90	200	800	2.1	18.1	520	480									M12-M24
RC4-32-0-490	42.2	1.66	12	15	18	1 1/16	50	90	200	800	2.1	18.1	530	530	480	360	220	160	120				M12-M24
RC4-32-0-530	42.2	1.66	12	15	18	1 1/16	70	120	200	800	2.9	24.1	730	730	650	500	320	230	170				M12-M24
RC4-32-0-560	42.2	1.66	12	15	18	1 1/16	80	90	200	800	3.3	24.1	780	780	780	640	460	370	280				M12-M24
RC4-32-0-600	42.2	1.66	12	15	18	1 1/16	90	130	200	800	4.4	34.8	780	780	780	780	760	600	470				M12-M24
RC4-40-0-400	48.3	1.90	12	15	18	1 1/16	60	90	250	800	3.0	18.2	520	470									M8-M16
RC4-40-0-490	48.3	1.90	12	15	18	1 1/16	60	90	250	800	3.0	18.2	540	540	470	340	210	150	120				M8-M16
RC4-40-0-530	48.3	1.90	12	15	18	1 1/16	80	120	250	800	3.9	24.2	740	740	640	470	290	210	160				M8-M16
RC4-40-0-560	48.3	1.90	12	15	18	1 1/16	80	90	250	800	4.7	24.2	780	780	780	680	500	400	310				M8-M16
RC4-40-0-600	48.3	1.90	12	15	18	1 1/16	80	130	250	800	5.8	34.9	780	780	780	780	760	610	480				M8-M16
RC4-50-0-400	60.3	2.38	12	15	18	1 1/16	60	120	250	1000	3.0	30.0	530	480									M8-M16
RC4-50-1-400	60.3	2.38	16	17	24	1 5/16	70	100	250	1000	4.4	33.8	800	750									M8-M16
RC4-50-2-400	60.3	2.38	16	17	24	1 5/16	90	140	250	1000	5.7	47.3	1170	1090									M12-M24
RC4-50-0-490	60.3	2.38	12	15	18	1 1/16	60	120	250	1000	3.0	30.0	550	550	480	350	210	150	120				M8-M16
RC4-50-1-490	60.3	2.38	16	17	24	1 5/16	70	100	250	1000	4.4	33.8	830	830	750	600	380	270	200				M8-M16
RC4-50-2-490	60.3	2.38	16	17	24	1 5/16	90	140	250	1000	5.6	47.2	1210	1210	1090	800	500	360	270				M12-M24
RC4-50-0-530	60.3	2.38	12	15	18	1 1/16	80	80	250	1000	4.0	26.6	640	640	580	460	290	210	150				M8-M16
RC4-50-1-530	60.3	2.38	16	17	24	1 5/16	90	120	250	1000	5.6	40.5	1020	1020	930	740	490	340	240				M8-M16
RC4-50-2-530	60.3	2.38	16	17	24	1 5/16	80	110	250	1000	6.2	46.3	1390	1390	1290	1070	730	510	370				M12-M24
RC4-50-0-560	60.3	2.38	12	15	18	1 1/16	70	110	250	1000	4.2	36.6	780	780	780	640	460	370	280				M8-M16
RC4-50-1-560	60.3	2.38	16	17	24	1 5/16	70	160	250	1000	5.5	53.9	1390	1390	1280	1020	740	590	460				M8-M16
RC4-50-2-560	60.3	2.38	16	17	24	1 5/16	100	140	250	1000	7.8	59.0	1600	1600	1600	1430	1070	850	680				M12-M24
RC4-50-0-600	60.3	2.38	12	15	18	1 1/16	80	160	250	1000	5.9	53.1	780	780	780	780	770	610	480				M8-M16
RC4-50-1-600	60.3	2.38	16	17	24	1 5/16	110	150	250	1000	8.5	63.2	1600	1600	1600	1550	1160	920	730				M8-M16
RC4-50-2-600	60.3	2.38	16	17	24	1 5/16	110	150	300	1000	13	75.7	1600	1600	1600	1600	1600	1380	1100				M12-M24



RC4 PRESSED RISER CLAMP FOUR BOLT TYPE

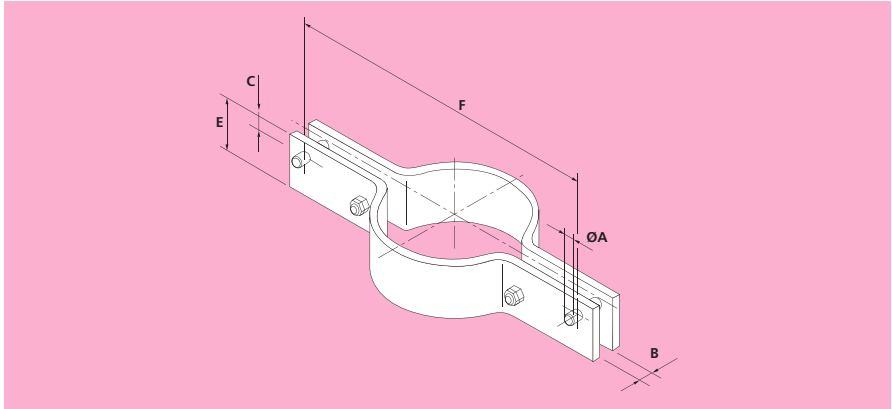


Material: Carbon Steel to 400°C Alloy Steel above 400°C

Order by Part No. and Rod Centres "R"

Part Number	Pipe O/D		A		B		C			E			F		Weight kgf		Load Capacity (kgf) at Temperature C					Compatible with Rod Sizes
	mm	in	mm	mm	mm	in	Min.	Max.	Min.	Max.	Min.	Max.	Min.	Max.	350	400	490	530	560	580	600	
RC4-65-0-400	73.0	2.88	12	15	18	11/16	60	120	250	1000	3.2	30.3	520	490								M8-M16
RC4-65-1-400	73.0	2.88	16	17	24	15/16	80	100	300	1000	6.0	34.1	770	730								M8-M16
RC4-65-2-400	73.0	2.88	16	17	24	15/16	70	140	300	1000	6.5	47.6	1120	1060								M8-M16
RC4-65-0-490	73.0	2.88	12	15	18	11/16	60	120	250	1000	3.1	30.2	530	530			490	390	260	180	130	M8-M16
RC4-65-1-490	73.0	2.88	16	17	24	15/16	80	100	250	1000	4.3	30.4	790	790			720	550	350	250	190	M8-M16
RC4-65-2-490	73.0	2.88	16	17	24	15/16	70	140	300	1000	6.5	47.6	1150	1150			1070	870	580	400	290	M8-M16
RC4-65-0-530	73.0	2.88	12	15	18	11/16	70	80	250	1000	3.6	26.8	610	610			570	470	310	220	160	M8-M16
RC4-65-1-530	73.0	2.88	16	17	24	15/16	60	120	300	1000	5.5	40.8	950	950			900	730	480	340	240	M8-M16
RC4-65-2-530	73.0	2.88	16	17	24	15/16	90	110	300	1000	8.2	46.6	1390	1390			1320	1110	760	530	380	M8-M16
RC4-65-0-560	73.0	2.88	12	15	18	11/16	70	100	250	1000	4.3	33.5	780	780			730	620	460	360	290	M8-M16
RC4-65-1-560	73.0	2.88	16	17	24	15/16	80	150	300	1000	7.4	51.0	1240	1240			1160	970	730	580	460	M8-M16
RC4-65-2-560	73.0	2.88	16	17	24	15/16	110	140	300	1000	10.0	59.3	1600	1600			1600	1470	1090	860	680	M8-M16
RC4-65-0-600	73.0	2.88	12	15	18	11/16	80	160	300	1000	7.0	53.5	780	780			780	780	760	600	480	M8-M16
RC4-65-1-600	73.0	2.88	16	17	24	15/16	120	140	300	1000	11	59.3	1600	1600			1600	1480	1140	910	720	M8-M16
RC4-65-2-600	73.0	2.88	16	17	24	15/16	100	200	300	1000	12	84.6	1600	1600			1600	1600	1600	1350	1070	M8-M16
RC4-80-0-400	88.9	3.5	12	15	18	11/16	70	120	300	1000	4.3	30.4	510	470								M12-M24
RC4-80-1-400	88.9	3.5	16	17	24	15/16	80	110	300	1000	6.0	37.6	840	790								M8-M16
RC4-80-2-400	88.9	3.5	16	17	24	15/16	90	150	350	1000	9.5	51.3	1180	1110								M12-M36
RC4-80-0-490	88.9	3.5	12	15	18	11/16	70	120	300	1000	4.2	30.4	520	520			470	360	230	160	120	M12-M24
RC4-80-1-490	88.9	3.5	16	17	24	15/16	80	110	300	1000	6.0	37.6	870	870			790	620	390	280	210	M12-M36
RC4-80-2-490	88.9	3.5	16	17	24	15/16	70	150	300	1000	6.6	51.2	1220	1220			1110	860	560	390	290	M8-M16
RC4-80-0-530	88.9	3.5	12	15	18	11/16	70	90	300	1000	5.0	30.3	680	680			630	510	340	240	170	M12-M24
RC4-80-1-530	88.9	3.5	16	17	24	15/16	80	130	300	1000	5.7	44.4	1040	1040			930	720	470	330	240	M12-M36
RC4-80-2-530	88.9	3.5	16	17	24	15/16	90	120	300	1000	8.4	51.1	1500	1500			1400	1140	740	520	380	M8-M16
RC4-80-0-560	88.9	3.5	12	15	18	11/16	80	110	300	1000	5.7	37.0	710	710			790	620	390	280	210	M12-M24
RC4-80-1-560	88.9	3.5	16	17	24	15/16	80	160	300	1000	7.5	54.6	1300	1300			1200	980	730	580	460	M12-M36
RC4-80-2-560	88.9	3.5	16	17	24	15/16	110	140	300	1000	10	59.6	1600	1600			1600	1410	1060	840	670	M8-M16
RC4-90-0-600	88.9	3.5	12	15	18	11/16	80	110	300	1000	7.1	46.2	780	780			780	780	760	600	470	M12-M24
RC4-90-1-600	88.9	3.5	16	17	24	15/16	120	150	300	1000	11	63.8	1600	1600			1600	1520	1150	910	720	M12-M36
RC4-90-2-600	88.9	3.5	16	17	24	15/16	100	150	300	1000	12	78.4	1600	1600			1600	1600	1600	1410	1120	M8-M16
RC4-90-0-400	101.6	4	12	15	18	11/16	70	120	300	1000	4.3	30.6	500	470								M8-M16
RC4-90-1-400	101.6	4	16	17	24	15/16	70	110	300	1000	5.4	37.8	820	760								M8-M16
RC4-90-2-400	101.6	4	16	17	24	15/16	80	150	350	1000	8.6	51.5	1160	1080								M8-M16
RC4-90-0-490	101.6	4	12	15	18	11/16	70	120	300	1000	4.3	30.5	520	520			470	360	230	160	120	M8-M16
RC4-90-1-490	101.6	4	16	17	24	15/16	70	110	300	1000	5.4	37.8	850	850			750	560	350	250	190	M8-M16
RC4-90-2-490	101.6	4	16	17	24	15/16	70	150	300	1000	6.6	51.4	1200	1200			1100	880	580	410	290	M8-M16
RC4-90-0-530	101.6	4	12	15	18	11/16	60	90	300	1000	4.4	30.5	600	600			600	470	300	210	160	M8-M16
RC4-90-1-530	101.6	4	16	17	24	15/16	90	130	300	1000	6.9	44.6	1030	1030			940	740	470	330	250	M8-M16
RC4-90-2-530	101.6	4	16	17	24	15/16	90	120	300	1000	8.5	51.3	1480	1480			1370	1150	760	540	400	M8-M16
RC4-90-0-560	101.6	4	12	15	18	11/16	80	110	300	1000	5.9	37.3	780	780			780	640	470	370	290	M8-M16
RC4-90-1-560	101.6	4	16	17	24	15/16	80	110	300	1000	7.6	47.1	1340	1340			1250	1050	790	620	490	M8-M16
RC4-90-2-560	101.6	4	16	17	24	15/16	110	150	300	1000	10	64.1	1580	1580			1580	1490	1120	880	690	M8-M16
RC4-90-0-600	101.6	4	12	15	18	11/16	80	110	300	1000	7.2	46.4	780	780			780	780	780	620	490	M8-M16
RC4-90-1-600	101.6	4	16	17	24	15/16	120	160	300	1000	11	68.4	1580	1580			1580	1560	1200	950	760	M8-M16
RC4-90-2-600	101.6	4	16	17	24	15/16	120	150	350	1000	16	76.7	1600	1600			1600	1600	1580	1370	1090	M8-M16

RC4 PRESSED RISER CLAMP FOUR BOLT TYPE



Material: Carbon Steel to 400°C Alloy Steel above 400°C

Order by Part No. and Rod Centres "F"

Part Number	Pipe O/D		A	B	C		E		F		Weight kgf		Load Capacity (kgf) at Temperature C							Compatible with Rod Sizes	
	mm	in			mm	in	Min.	Max.	Min.	Max.	Min.	Max.	350	400	400	530	560	580	600		
RC4-100-0-400	114.3	4.5	12	15	18	1 1/16	60	90	300	1200	3.8	36.3	530	480							M12-M24
RC4-100-1-400	114.3	4.5	16	17	24	1 5/16	80	130	350	1200	7.1	53.1	800	740							M12-M36
RC4-100-2-400	114.3	4.5	16	17	24	1 5/16	80	120	350	1200	8.7	61.2	1160	1110							M12-M36
RC4-100-3-400	114.3	4.5	20	20	30	1 3/8	100	150	400	1200	16.5	92.6	2170	2090							M8-M16
RC4-100-0-490	114.3	4.5	12	15	18	1 1/16	60	90	300	1200	3.8	36.3	540	540	480	360	220	160	120		M12-M24
RC4-100-1-490	114.3	4.5	16	17	24	1 5/16	80	130	350	1200	7.0	53.0	830	830	740	560	350	250	190		M12-M36
RC4-100-2-490	114.3	4.5	16	17	24	1 5/16	80	120	350	1200	8.6	61.1	1190	1190	1120	890	580	410	300		M12-M36
RC4-100-3-490	114.3	4.5	20	20	30	1 3/8	100	150	400	1200	16.3	92.5	2240	2240	2130	1740	1170	820	580		M8-M16
RC4-100-0-530	114.3	4.5	12	15	18	1 1/16	80	100	300	1200	5.0	40.4	620	620	570	460	300	220	150		M12-M24
RC4-100-1-530	114.3	4.5	16	17	24	1 5/16	70	150	350	1200	7.6	61.1	970	970	890	720	480	340	240		M12-M36
RC4-100-2-530	114.3	4.5	16	17	24	1 5/16	100	140	350	1200	10.7	71.2	1330	1330	1330	1110	740	520	380		M12-M36
RC4-100-3-530	114.3	4.5	20	20	30	1 3/8	120	170	400	1200	19.5	104.7	2570	2570	2450	2070	1430	1000	710		M8-M16
RC4-100-0-560	114.3	4.5	12	15	18	1 1/16	70	130	300	1200	5.2	52.4	780	780	760	630	470	370	290		M12-M24
RC4-100-1-560	114.3	4.5	16	17	24	1 5/16	90	130	350	1200	9.7	66.1	1310	1310	1230	1040	770	610	480		M12-M36
RC4-100-2-560	114.3	4.5	16	17	24	1 5/16	70	180	350	1200	10.0	91.4	1360	1360	1360	1360	1060	840	670		M12-M36
RC4-100-3-560	114.3	4.5	20	20	30	1 3/8	150	210	400	1200	24.2	129.2	2630	2630	2630	2630	2060	1630	1290		M8-M16
RC4-100-0-600	114.3	4.5	12	15	18	1 1/16	90	130	350	1200	9.3	65.4	780	780	780	780	770	610	480		M12-M24
RC4-100-1-600	114.3	4.5	16	17	24	1 5/16	80	190	350	1200	11.4	96.5	1360	1360	1360	1360	1190	940	750		M12-M36
RC4-100-2-600	114.3	4.5	16	17	24	1 5/16	110	180	350	1200	15.6	109.6	1600	1600	1600	1600	1600	1380	1100		M12-M36
RC4-100-3-600	114.3	4.5	20	20	30	1 3/8	150	220	400	1200	30.0	157.6	2630	2630	2630	2630	2630	2550	2020		M8-M16
RC4-125-0-400	141.3	5.56	12	15	18	1 1/16	70	90	350	1200	5.1	36.7	530	500							M8-M16
RC4-125-1-400	141.3	5.56	16	17	24	1 5/16	90	130	400	1200	9.0	53.8	800	750							M8-M16
RC4-125-2-400	141.3	5.56	16	17	24	1 5/16	90	120	400	1200	11.3	61.8	1150	1090							M12-M24
RC4-125-3-400	141.3	5.56	20	20	30	1 3/8	110	150	450	1200	20.5	93.7	2130	2050							M8-M16
RC4-125-0-490	141.3	5.56	12	15	18	1 1/16	70	90	350	1200	5.1	36.7	550	550	500	370	230	160	130		M8-M16
RC4-125-1-490	141.3	5.56	16	17	24	1 5/16	80	130	400	1200	7.2	53.5	830	830	760	610	390	280	200		M8-M16
RC4-125-2-490	141.3	5.56	16	17	24	1 5/16	90	120	400	1200	11.1	61.7	1180	1180	1100	900	580	410	300		M12-M24
RC4-125-3-490	141.3	5.56	20	20	30	1 3/8	110	150	450	1200	20.2	93.4	2200	2200	2080	1740	1160	810	580		M12-M36
RC4-125-0-530	141.3	5.56	12	15	18	1 1/16	70	110	350	1200	6.1	44.8	690	690	630	500	340	230	170		M8-M16
RC4-125-1-530	141.3	5.56	16	17	24	1 5/16	70	160	350	1200	7.8	65.8	1030	1030	950	760	510	350	250		M8-M16
RC4-125-2-530	141.3	5.56	16	17	24	1 5/16	110	140	400	1200	13.5	71.9	1400	1400	1310	1090	720	510	380		M12-M24
RC4-125-3-530	141.3	5.56	20	20	30	1 3/8	130	170	450	1200	23.7	105.8	2530	2530	2400	2030	1400	980	690		M12-M36
RC4-125-0-560	141.3	5.56	12	15	18	1 1/16	80	140	350	1200	6.9	57.0	780	780	780	650	470	370	290		M8-M16
RC4-125-1-560	141.3	5.56	16	17	24	1 5/16	80	130	350	1200	8.9	66.7	1030	1030	1030	1020	740	590	460		M8-M16
RC4-125-2-560	141.3	5.56	16	17	24	1 5/16	80	180	400	1200	13.0	92.3	1600	1600	1600	1460	1090	860	690		M12-M24
RC4-125-3-560	141.3	5.56	20	20	30	1 3/8	110	220	450	1200	25.0	136.7	2630	2630	2630	2630	2030	1680	1340		M12-M36
RC4-125-0-600	141.3	5.56	12	15	18	1 1/16	80	130	350	1200	8.6	66.0	780	780	780	780	740	590	460		M8-M16
RC4-125-1-600	141.3	5.56	16	17	24	1 5/16	90	190	400	1200	14.6	97.4	1600	1600	1600	1540	1160	920	730		M8-M16
RC4-125-2-600	141.3	5.56	16	17	24	1 5/16	120	180	400	1200	19.3	110.6	1600	1600	1600	1600	1600	1340	1070		M12-M24
RC4-125-3-600	141.3	5.56	20	20	30	1 3/8	160	230	450	1200	36.1	166.3	2630	2630	2630	2630	2630	2580	2050		M12-M36

1

2

3

4

5

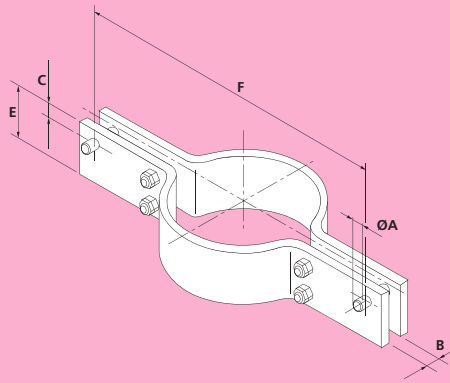
6

7

8

9

RC6 PRESSED RISER CLAMP SIX BOLT TYPE

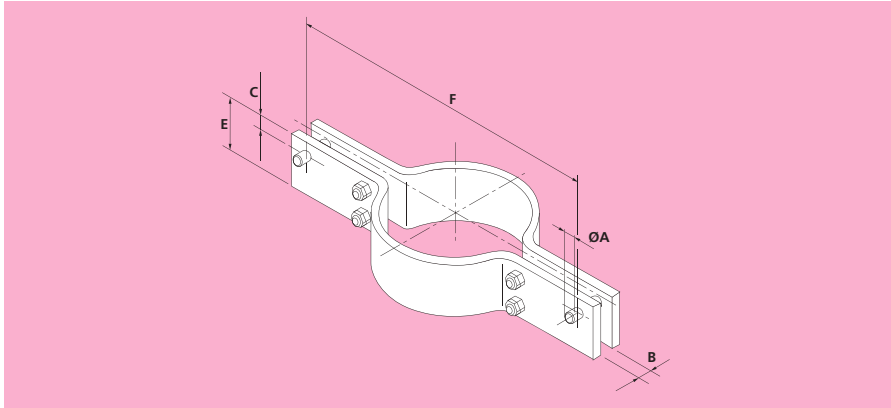


Material: Carbon Steel to 400°C Alloy Steel above 400°C

Order by Part No. and Rod Centres "F"

Part Number	Pipe O/D		A		B		C		E		F		Weight kgf		Load Capacity (kgf) at Temperature C							Compatible with Rod Sizes
	mm	in	mm	mm	mm	in	Min.	Max.	Min.	Max.	Min.	Max.	350	400	490	530	560	580	600			
RC6-150-0-400	168.3	6.63	12	15	18	11/16	80	90	350	1200	6.0	37.1	540	500							M8-M16	
RC6-150-1-400	168.3	6.63	16	17	24	15/16	80	130	400	1200	8.1	54.1	810	750							M8-M16	
RC6-150-2-400	168.3	6.63	16	17	24	15/16	100	120	400	1200	12.7	62.4	1150	1100							M8-M16	
RC6-150-3-400	168.3	6.63	20	20	30	13/16	100	150	450	1200	18.7	94.1	2130	2050							M12-M24	
RC6-150-4-400	168.3	6.63	24	25	36	17/16	150	230	450	1200	28.6	145.7	3430	3310							M12-M36	
RC6-150-0-490	168.3	6.63	12	15	18	11/16	80	90	350	1200	6.0	37.1	550	550	510	410	280	190	140		M8-M16	
RC6-150-1-490	168.3	6.63	16	17	24	15/16	80	130	400	1200	8.1	54.1	830	830	750	560	360	250	190		M8-M16	
RC6-150-2-490	168.3	6.63	16	17	24	15/16	80	120	400	1200	10.1	62.2	1180	1180	1110	890	580	410	300		M8-M16	
RC6-150-3-490	168.3	6.63	20	20	30	13/16	100	150	450	1200	18.7	94.1	2190	2190	2090	1740	1170	810	580		M12-M24	
RC6-150-4-490	168.3	6.63	24	25	36	17/16	150	220	450	1200	28.6	139.2	3370	3370	3200	2710	1820	1270	900		M12-M36	
RC6-150-0-530	168.3	6.63	12	15	18	11/16	80	100	350	1200	6.0	41.2	620	620	570	460	290	210	150		M8-M16	
RC6-150-1-530	168.3	6.63	16	17	24	15/16	80	150	400	1200	10.1	62.4	970	970	890	720	480	340	240		M8-M16	
RC6-150-2-530	168.3	6.63	16	17	24	15/16	100	140	400	1200	12.5	72.6	1410	1410	1310	1100	740	520	380		M8-M16	
RC6-150-3-530	168.3	6.63	20	20	30	13/16	120	170	450	1200	22.2	106.5	2520	2520	2400	2030	1430	1000	710		M12-M24	
RC6-150-4-530	168.3	6.63	24	25	36	17/16	120	190	450	1200	28.4	140.0	3660	3660	3660	3240	2370	1660	1200		M12-M36	
RC6-150-0-560	168.3	6.63	12	15	18	11/16	80	130	350	1200	7.1	53.5	780	780	770	630	470	370	290		M8-M16	
RC6-150-1-560	168.3	6.63	16	17	24	15/16	90	130	400	1200	11.3	67.4	1300	1300	1220	1030	770	610	480		M8-M16	
RC6-150-2-560	168.3	6.63	16	17	24	15/16	80	180	400	1200	13.3	93.2	1600	1600	1600	1470	1110	880	700		M8-M16	
RC6-150-3-560	168.3	6.63	20	20	30	13/16	150	220	450	1200	27.7	137.6	2630	2630	2630	2630	2060	1630	1290		M12-M24	
RC6-150-4-560	168.3	6.63	24	25	36	17/16	150	230	450	1200	35.4	169.3	3660	3660	3660	3660	3230	2620	2080		M12-M36	
RC6-150-0-600	168.3	6.63	12	15	18	11/16	90	130	400	1200	11.0	66.6	780	780	780	780	770	610	480		M8-M16	
RC6-150-1-600	168.3	6.63	16	17	24	15/16	80	190	400	1200	13.3	98.4	1600	1600	1600	1560	1180	930	740		M8-M16	
RC6-150-2-600	168.3	6.63	16	17	24	15/16	110	180	400	1200	18.1	111.5	1800	1600	1600	1600	1360	1080			M8-M16	
RC6-150-3-600	168.3	6.63	20	20	30	13/16	150	230	450	1200	34.3	167.6	2630	2630	2630	2630	2630	2600	2060		M12-M24	
RC6-150-4-600	168.3	6.63	24	25	36	17/16	180	260	500	1200	54.6	218.2	3660	3660	3660	3660	3660	3660	3300		M12-M36	

RC6 PRESSED RISER CLAMP SIX BOLT TYPE

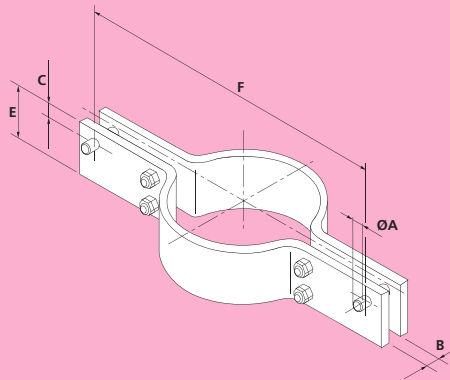


Material: Carbon Steel to 400°C Alloy Steel above 400°C

Order by Part No. and Rod Centres "F"

Part Number	Pipe O/D		A		B		C		E		F		Weight kgf		Load Capacity (kgf) at Temperature C							Compatible with Rod Sizes
	mm	in	mm	mm	mm	in	Min.	Max.	Min.	Max.	Min.	Max.	350	400	400	530	560	580	600			
RC6-175-0-400	193.7	7.63	12	15	18	11/16	80	90	400	1200	6.8	37.4	540	510							M8-M16	
RC6-175-1-400	193.7	7.63	16	17	24	15/16	80	130	400	1200	8.4	54.6	820	770							M8-M16	
RC6-175-2-400	193.7	7.63	16	17	24	15/16	100	120	450	1200	14.2	62.9	1160	1110							M8-M16	
RC6-175-3-400	193.7	7.63	20	20	30	13/16	120	150	500	1200	25.0	95.2	2140	2070							M12-M24	
RC6-175-4-400	193.7	7.63	24	25	36	17/16	160	220	500	1200	33.8	140.6	3280	3170							M12-M36	
RC6-175-5-400	193.7	7.63	30	29	45	13/4	170	230	550	1200	49.5	174.0	4720	4610							M12-M36	
RC6-175-0-490	193.7	7.63	12	15	18	11/16	80	90	400	1200	6.8	37.4	560	560	510	420	260	190	140		M8-M16	
RC6-175-1-490	193.7	7.63	16	17	24	15/16	80	130	400	1200	8.4	54.6	840	840	770	610	390	280	200		M8-M16	
RC6-175-2-490	193.7	7.63	16	17	24	15/16	80	120	400	1200	10.3	62.8	1200	1200	1120	940	620	440	320		M8-M16	
RC6-175-3-490	193.7	7.63	20	20	30	13/16	100	150	450	1200	19.1	95.0	2210	2210	2110	1790	1260	880	630		M12-M24	
RC6-175-4-490	193.7	7.63	24	25	36	17/16	160	220	500	1200	33.6	140.4	3380	3380	3230	2690	1810	1260	900		M12-M36	
RC6-175-5-490	193.7	7.63	30	29	45	13/4	150	230	500	1200	40.6	173.8	4870	4870	4700	4040	2820	1980	1430		M12-M36	
RC6-175-0-530	193.7	7.63	12	15	18	11/16	80	100	400	1200	8.1	41.6	630	630	580	470	320	220	160		M8-M16	
RC6-175-1-530	193.7	7.63	16	17	24	15/16	80	150	400	1200	10.3	63.0	980	980	900	740	500	350	250		M8-M16	
RC6-175-2-530	193.7	7.63	16	17	24	15/16	90	140	400	1200	11.6	73.2	1420	1420	1330	1090	710	500	360		M8-M16	
RC6-175-3-530	193.7	7.63	20	20	30	13/16	110	170	450	1200	21.0	107.6	2540	2540	2420	2050	1400	980	700		M12-M24	
RC6-175-4-530	193.7	7.63	24	25	36	17/16	130	190	500	1200	33.9	141.3	3660	3660	3660	3260	2400	1690	1220		M12-M36	
RC6-175-5-530	193.7	7.63	30	29	45	13/4	170	260	500	1200	45.9	196.3	5560	5560	5370	4630	3240	2270	1640		M12-M36	
RC6-175-0-560	193.7	7.63	12	15	18	11/16	80	130	400	1200	8.1	54.0	780	780	780	630	460	370	290		M8-M16	
RC6-175-1-560	193.7	7.63	16	17	24	15/16	80	120	400	1200	10.3	62.8	1200	1200	1130	950	720	570	450		M8-M16	
RC6-175-2-560	193.7	7.63	16	17	24	15/16	90	170	400	1200	15.4	88.8	1600	1600	1600	1400	1060	840	670		M8-M16	
RC6-175-3-560	193.7	7.63	20	20	30	13/16	140	210	450	1200	26.4	132.7	2630	2630	2630	2620	2040	1630	1300		M12-M24	
RC6-175-4-560	193.7	7.63	24	25	36	17/16	160	230	500	1200	41.6	170.8	3660	3660	3660	3660	3260	2640	2100		M12-M36	
RC6-175-5-560	193.7	7.63	30	29	45	13/4	150	240	500	1200	48.3	206.7	6060	6060	6060	5760	4590	3690	2930		M12-M36	
RC6-175-0-600	193.7	7.63	12	15	18	11/16	90	130	400	1200	11.2	67.3	780	780	780	780	780	630	500		M8-M16	
RC6-175-1-600	193.7	7.63	16	17	24	15/16	90	190	450	1200	16.7	98.3	1600	1600	1600	1580	1200	950	760		M8-M16	
RC6-175-2-600	193.7	7.63	16	17	24	15/16	120	180	450	1200	22.1	112.6	1600	1600	1600	1600	1600	1380	1090		M8-M16	
RC6-175-3-600	193.7	7.63	20	20	30	13/16	140	230	450	1200	32.7	169.1	2630	2630	2630	2630	2630	2630	2080		M12-M24	
RC6-175-4-600	193.7	7.63	24	25	36	17/16	170	250	500	1200	52.5	211.7	3660	3660	3660	3660	3660	3660	3180		M12-M36	
RC6-175-5-600	193.7	7.63	30	29	45	13/4	230	320	500	1100	73.4	255.1	6090	6090	6090	6090	6090	5860	4630		M12-M36	

RC6 PRESSED RISER CLAMP SIX BOLT TYPE

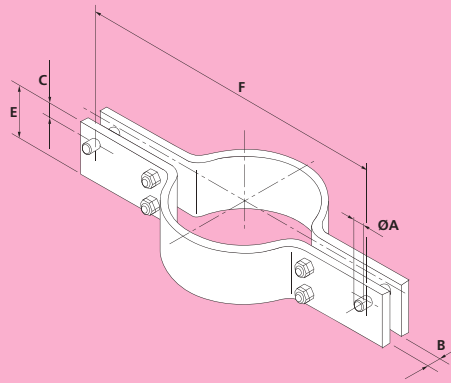


Material: Carbon Steel to 400°C Alloy Steel above 400°C

Order by Part No. and Rod Centres "F"

Part Number	Pipe O/D		A		B		C		E		F		Weight kgf		Load Capacity (kgf) at Temperature C						Compatible with Rod Sizes
	mm	in	mm	mm	mm	in	Min.	Max.	Min.	Max.	Min.	Max.	350	400	490	530	560	580	600		
RC6-200-0-400	219.1	8.63	12	15	18	11/16	80	110	400	1500	7.0	56.5	530	500							M8-M16
RC6-200-1-400	219.1	8.63	16	17	24	15/16	90	160	450	1500	10.5	83.0	790	750							M8-M16
RC6-200-2-400	219.1	8.63	16	17	24	15/16	100	150	450	1500	14.5	97.0	1150	1100							M8-M16
RC6-200-3-400	219.1	8.63	20	20	30	13/16	120	190	500	1500	25.5	148.4	2160	2080							M12-M24
RC6-200-4-400	219.1	8.63	24	25	36	17/16	150	210	500	1500	32.4	192.7	3290	3220							M12-M36
RC6-200-5-400	219.1	8.63	30	29	45	19/16	160	230	550	1500	47.8	243.7	4770	4720							M12-M36
RC6-200-6-400	219.1	8.63	36	41	54	21/8	200	320	600	1400	77.2	322.0	7520	7430							M20-M64
RC6-200-0-490	219.1	8.63	12	15	18	11/16	80	110	400	1500	7.0	56.5	540	540	500	410	280	190	140		M8-M16
RC6-200-1-490	219.1	8.63	16	17	24	15/16	90	160	450	1500	10.5	82.9	820	820	750	620	400	280	210		M8-M16
RC6-200-2-490	219.1	8.63	16	17	24	15/16	80	150	450	1500	11.5	96.9	1190	1190	1100	860	560	400	290		M8-M16
RC6-200-3-490	219.1	8.63	20	20	30	13/16	100	190	500	1500	21.1	148.2	2220	2220	2100	1720	1160	810	580		M12-M24
RC6-200-4-490	219.1	8.63	24	25	36	17/16	150	210	500	1500	32.2	192.1	3390	3390	3280	2690	1810	1260	900		M12-M36
RC6-200-5-490	219.1	8.63	30	29	45	19/16	160	220	550	1500	47.2	232.6	4680	4680	4570	4010	2820	1990	1430		M12-M36
RC6-200-6-490	219.1	8.63	36	41	54	21/8	200	310	600	1400	76.9	311.6	7490	7490	7300	6430	4810	3500	2480		M20-M64
RC6-200-0-530	219.1	8.63	12	15	18	11/16	80	130	450	1500	9.1	66.8	650	650	600	490	330	230	170		M8-M16
RC6-200-1-530	219.1	8.63	16	17	24	15/16	80	120	450	1500	11.5	77.6	930	930	870	730	510	360	260		M8-M16
RC6-200-2-530	219.1	8.63	16	17	24	15/16	100	170	450	1500	14.4	109.8	1360	1360	1280	1070	720	510	370		M8-M16
RC6-200-3-530	219.1	8.63	20	20	30	13/16	120	220	500	1500	25.2	171.5	2600	2600	2490	2100	1420	990	710		M12-M24
RC6-200-4-530	219.1	8.63	24	25	36	17/16	130	240	550	1500	37.1	219.4	3660	3660	3660	3180	2240	1580	1140		M12-M36
RC6-200-5-530	219.1	8.63	30	29	45	19/16	180	250	550	1500	53.0	264.4	5390	5390	5260	4560	3210	2260	1630		M12-M36
RC6-200-6-530	219.1	8.63	36	41	54	21/8	230	310	600	1250	88.0	282.4	7620	7620	7620	7340	5600	4070	2890		M20-M64
RC6-200-0-560	219.1	8.63	12	15	18	11/16	90	160	450	1500	10.2	82.2	780	780	780	630	470	370	290		M8-M16
RC6-200-1-560	219.1	8.63	16	17	24	15/16	90	150	450	1500	12.9	96.9	1190	1190	1120	950	720	570	460		M8-M16
RC6-200-2-560	219.1	8.63	16	17	24	15/16	80	150	450	1500	15.2	116.0	1310	1310	1310	1310	1090	880	700		M8-M16
RC6-200-3-560	219.1	8.63	20	20	30	13/16	150	190	500	1500	31.3	172.5	2510	2510	2510	2510	2040	1610	1280		M12-M24
RC6-200-4-560	219.1	8.63	24	25	36	17/16	170	210	550	1500	48.3	219.0	3660	3660	3660	3660	3160	2590	2040		M12-M36
RC6-200-5-560	219.1	8.63	30	29	45	19/16	160	300	550	1500	56.1	316.8	5480	5480	5480	5480	4580	3690	2930		M12-M36
RC6-200-6-560	219.1	8.63	36	41	54	21/8	200	320	600	1100	89.1	261.2	7620	7620	7620	7620	7310	5930	4700		M20-M64
RC6-200-0-600	219.1	8.63	12	15	18	11/16	90	160	450	1500	12.6	102.4	780	780	780	780	750	590	460		M8-M16
RC6-200-1-600	219.1	8.63	16	17	24	15/16	80	160	450	1500	15.2	123.7	1310	1310	1310	1310	1180	930	740		M8-M16
RC6-200-2-600	219.1	8.63	16	17	24	15/16	110	220	450	1500	20.8	170.0	1600	1600	1600	1600	1600	1340	1060		M8-M16
RC6-200-3-600	219.1	8.63	20	20	30	13/16	150	210	500	1500	38.9	217.4	2630	2630	2630	2630	2630	2570	2030		M12-M24
RC6-200-4-600	219.1	8.63	24	25	36	17/16	180	320	550	1500	60.9	333.4	3660	3660	3660	3660	3660	3660	3240		M12-M36
RC6-200-5-600	219.1	8.63	30	29	45	19/16	240	320	550	1100	83.6	257.3	6090	6090	6090	6090	6090	5750	4570		M12-M36
RC6-200-6-600	219.1	8.63	36	41	54	21/8	230	310	600	750	115.8	184.6	7620	7620	7620	7620	7620	7620	7460		M20-M64

RC6 PRESSED RISER CLAMP SIX BOLT TYPE

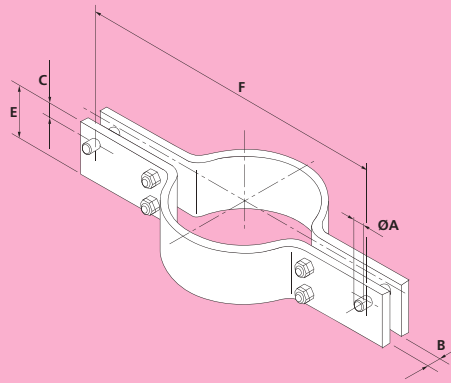


Material: Carbon Steel to 400°C Alloy Steel above 400°C

Order by Part No. and Rod Centres "F"

Part Number	Pipe O/D		A		B		C		E		F		Weight kgf		Load Capacity (kgf) at Temperature C						Compatible with Rod Sizes
	mm	in	mm	mm	mm	in	Min.	Max.	Min.	Max.	Min.	Max.	350	400	490	530	560	580	600		
RC6-250-0-400	273	10.75	12	15	18	11/16	80	100	450	1500	8.0	52.3	490	460							M8-M16
RC6-250-1-400	273	10.75	16	17	24	15/16	100	150	500	1500	16.4	79.2	760	720							M8-M16
RC6-250-2-400	273	10.75	16	17	24	15/16	100	150	500	1500	16.4	98.7	1190	1130							M8-M16
RC6-250-3-400	273	10.75	20	20	30	13/16	120	190	550	1500	28.4	156.8	2210	2130							M12-M24
RC6-250-4-400	273	10.75	24	25	36	17/16	150	210	600	1500	47.8	195.7	3360	3280							M12-M36
RC6-250-5-400	273	10.75	30	29	45	19/16	180	220	650	1500	62.5	236.7	4610	4560							M12-M36
RC6-250-6-400	273	10.75	36	41	54	21/8	220	320	700	1400	98.6	327.6	7620	7430							M20-M64
RC6-250-7-400	273	10.75	42	45	63	21/2	240	320	700	1050	127.7	262.2	10930	10930							M30-M64
RC6-250-0-490	273	10.75	12	15	18	11/16	80	100	450	1500	8.0	52.3	500	500	470	380	260	180	130		M8-M16
RC6-250-1-490	273	10.75	16	17	24	15/16	90	150	500	1500	11.8	79.1	790	790	730	590	380	270	200		M8-M16
RC6-250-2-490	273	10.75	16	17	24	15/16	100	140	500	1500	16.4	92.1	1130	1130	1060	890	630	440	320		M8-M16
RC6-250-3-490	273	10.75	20	20	30	13/16	100	180	550	1500	23.6	142.7	2140	2140	2030	1660	1120	780	560		M12-M24
RC6-250-4-490	273	10.75	24	25	36	17/16	150	200	550	1500	35.8	186.1	3280	3280	3170	2600	1760	1230	880		M12-M36
RC6-250-5-490	273	10.75	30	29	45	19/16	160	280	600	1500	52.3	263.5	4740	4740	4580	3900	2740	1940	1390		M12-M36
RC6-250-6-490	273	10.75	36	41	54	21/8	200	320	650	1450	84.0	336.5	7530	7530	7340	6440	4760	3460	2460		M20-M64
RC6-250-7-490	273	10.75	42	45	63	21/2	230	310	700	1050	121.7	253.2	10930	10930	10750	9310	7180	5360	3760		M30-M64
RC6-250-0-530	273	10.75	12	15	18	11/16	80	120	500	1500	10.3	62.8	620	620	570	470	310	220	160		M8-M16
RC6-250-1-530	273	10.75	16	17	24	15/16	80	120	500	1500	13.0	78.9	960	960	900	750	530	370	270		M8-M16
RC6-250-2-530	273	10.75	16	17	24	15/16	100	170	500	1500	16.2	111.8	1270	1270	1270	1060	700	490	350		M8-M16
RC6-250-3-530	273	10.75	20	20	30	13/16	120	210	550	1500	28.2	166.4	2540	2540	2420	2040	1380	960	690		M12-M24
RC6-250-4-530	273	10.75	24	25	36	17/16	140	230	600	1500	44.4	213.8	3660	3660	3620	3190	2370	1670	1200		M12-M36
RC6-250-5-530	273	10.75	30	29	45	19/16	190	250	600	1500	61.8	268.3	5470	5470	5340	4700	3310	2340	1680		M12-M36
RC6-250-6-530	273	10.75	36	41	54	21/8	230	320	650	1300	96.3	306.7	7620	7620	7620	7400	5540	4030	2860		M20-M64
RC6-250-7-530	273	10.75	42	45	63	21/2	270	310	700	950	142.3	233.7	10930	10930	10930	10850	8550	6380	4480		M30-M64
RC6-250-0-560	273	10.75	12	15	18	11/16	80	160	500	1500	12.7	83.6	780	780	780	650	480	380	300		M8-M16
RC6-250-1-560	273	10.75	16	17	24	15/16	100	150	500	1500	16.2	98.5	1220	1220	1150	980	740	590	470		M8-M16
RC6-250-2-560	273	10.75	16	17	24	15/16	100	150	550	1500	23.1	118.0	1600	1600	1600	1440	1120	900	720		M8-M16
RC6-250-3-560	273	10.75	20	20	30	13/16	160	190	550	1500	37.4	175.2	2630	2630	2630	2610	2090	1680	1330		M12-M24
RC6-250-4-560	273	10.75	24	25	36	17/16	170	280	600	1500	53.5	259.9	3660	3660	3660	3660	3210	2550	2040		M12-M36
RC6-250-5-560	273	10.75	30	29	45	19/16	190	290	650	1500	78.0	311.1	6090	6090	6090	5580	4600	3760	2970		M12-M36
RC6-250-6-560	273	10.75	36	41	54	21/8	210	310	650	1100	102.1	257.8	7620	7620	7620	7390	6050	4780	3600		M20-M64
RC6-250-7-560	273	10.75	42	45	63	21/2	240	320	700	850	144.0	221.1	10930	10930	10930	10930	10710	8770	6920		M30-M64
RC6-250-0-600	273	10.75	12	15	18	11/16	100	150	500	1500	15.8	97.7	780	780	780	780	740	590	470		M8-M16
RC6-250-1-600	273	10.75	16	17	24	15/16	90	160	500	1500	19.2	125.7	1150	1150	1150	1150	1130	970	770		M8-M16
RC6-250-2-600	273	10.75	16	17	24	15/16	120	220	500	1500	25.6	172.8	1530	1530	1530	1530	1510	1380	1090		M8-M16
RC6-250-3-600	273	10.75	20	20	30	13/16	160	280	550	1500	46.4	203.0	2630	2630	2630	2630	2630	2590	2050		M12-M24
RC6-250-4-600	273	10.75	24	25	36	17/16	180	310	600	1500	67.4	328.0	3660	3660	3660	3660	3660	3660	3180		M12-M36
RC6-250-5-600	273	10.75	30	29	45	19/16	200	320	650	1150	95.1	272.7	6090	6090	6090	6090	6090	5830	4620		M12-M36
RC6-250-6-600	273	10.75	36	41	54	21/8	260	310	700	800	151.2	199.3	7620	7620	7620	7620	7620	7620	7480		M20-M64

RC6 PRESSED RISER CLAMP SIX BOLT TYPE

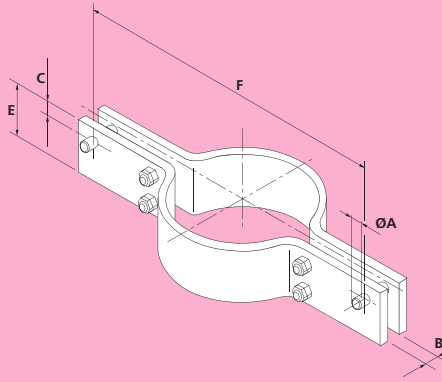


Material: Carbon Steel to 400°C Alloy Steel above 400°C

Order by Part No. and Rod Centres "F"

Part Number	Pipe O/D		A	B	C			E			F		Weight kgf		Load Capacity (kgf) at Temperature C						Compatible with Rod Sizes		
	mm	in			mm	mm	mm	in	Min.	Max.	Min.	Max.	Min.	Max.	350	400	490	530	560	580		600	
RC6-350-1-400	355.6	14	16	17	24	1 5/16	120	130	600	1850	23.9	105.9	820	790									M8-M16
RC6-350-2-400	355.6	14	16	17	24	1 5/16	120	180	600	1850	23.9	146.4	1170	1120									M8-M16
RC6-350-3-400	355.6	14	20	20	30	1 9/16	150	220	650	1850	42.5	215.6	2080	2020									M12-M24
RC6-350-4-400	355.6	14	24	25	36	1 7/16	180	250	700	1850	68.0	287.3	3260	3190									M12-M36
RC6-350-5-400	355.6	14	30	29	45	1 3/4	190	270	750	1850	77.3	357.3	4630	4560									M12-M36
RC6-350-6-400	355.6	14	36	41	54	2 1/8	240	310	800	1450	124.5	336.4	7420	7350									M20-M64
RC6-350-7-400	355.6	14	42	45	63	2 1/2	270	310	850	1100	172.7	272.8	10930	10770									M30-M64
RC6-350-8-400	355.6	14	48	52	72	2 13/16	310	310	900	900	238.4	238.4	15170	15030									M42-M80
RC6-350-1-490	355.6	14	16	17	24	1 5/16	100	120	600	1850	19.8	97.6	770	770	730	610	440	310	220				M8-M16
RC6-350-2-490	355.6	14	16	17	24	1 5/16	100	170	600	1850	19.8	138.1	1130	1130	1070	900	630	440	320				M8-M16
RC6-350-3-490	355.6	14	20	20	30	1 9/16	120	220	650	1850	33.9	215.3	2150	2150	2060	1760	1270	880	640				M12-M24
RC6-350-4-490	355.6	14	24	25	36	1 7/16	150	250	700	1850	56.3	286.6	3360	3360	3250	2830	2200	1660	1160				M12-M36
RC6-350-5-490	355.6	14	30	29	45	1 3/4	180	270	700	1850	69.1	356.6	4760	4760	4660	4080	2910	2070	1490				M12-M36
RC6-350-6-490	355.6	14	36	41	54	2 1/8	230	320	800	1500	118.3	356.0	7560	7560	7390	6340	4740	3480	2460				M20-M64
RC6-350-7-490	355.6	14	42	45	63	2 1/2	250	320	800	1150	152.3	290.3	10930	10930	10730	9500	7440	5590	3910				M30-M64
RC6-350-8-490	355.6	14	48	52	72	2 13/16	290	310	850	900	213.1	237.1	15630	15630	15280	13520	10960	8410	5860				M42-M80
RC6-350-1-530	355.6	14	16	17	24	1 5/16	100	140	600	1850	19.8	113.8	920	920	860	730	520	370	270				M8-M16
RC6-350-2-530	355.6	14	16	17	24	1 5/16	110	200	600	1850	21.7	162.4	1350	1350	1270	1060	700	490	350				M8-M16
RC6-350-3-530	355.6	14	20	20	30	1 9/16	130	190	650	1850	36.6	216.5	2480	2480	2400	2040	1390	960	700				M12-M24
RC6-350-4-530	355.6	14	24	25	36	1 7/16	150	280	700	1850	56.0	320.5	3660	3660	3660	3190	2380	1700	1220				M12-M36
RC6-350-5-530	355.6	14	30	29	45	1 3/4	200	300	700	1850	76.2	396.0	5340	5340	5220	4570	3260	2320	1670				M12-M36
RC6-350-6-530	355.6	14	36	41	54	2 1/8	200	320	800	1350	118.8	325.0	7620	7620	7620	7460	5820	4370	3060				M20-M64
RC6-350-7-530	355.6	14	42	45	63	2 1/2	280	320	800	1050	170.0	270.2	10930	10930	10930	10790	8410	6320	4420				M30-M64
RC6-350-8-530	355.6	14	48	52	72	2 13/16	320	320	850	850	234.5	234.5	17480	17480	17100	15130	12260	9410	6560				M42-M80
RC6-350-1-560	355.6	14	16	17	24	1 5/16	100	180	600	1850	19.7	146.2	950	950	950	950	730	580	450				M8-M16
RC6-350-2-560	355.6	14	16	17	24	1 5/16	100	180	600	1850	26.0	174.9	1600	1600	1600	1430	1130	910	720				M8-M16
RC6-350-3-560	355.6	14	20	20	30	1 9/16	130	230	700	1850	47.9	261.9	2630	2630	2630	2600	2110	1710	1360				M12-M24
RC6-350-4-560	355.6	14	24	25	36	1 7/16	180	250	700	1850	67.0	326.4	3660	3660	3660	3660	3160	2530	2010				M12-M36
RC6-350-5-560	355.6	14	30	29	45	1 3/4	200	320	750	1700	95.9	392.1	6090	6090	6090	5580	4620	3790	3000				M12-M36
RC6-350-6-560	355.6	14	36	41	54	2 1/8	240	320	800	1200	142.1	294.8	7620	7620	7620	7620	7470	6080	4810				M20-M64
RC6-350-7-560	355.6	14	42	45	63	2 1/2	280	320	850	950	201.8	250.1	10930	10930	10930	10930	10720	8790	6950				M30-M64
RC6-350-1-600	355.6	14	16	17	24	1 5/16	100	180	600	1850	26.0	174.9	1600	1600	1600	1430	1130	910	720				M8-M16
RC6-350-2-600	355.6	14	16	17	24	1 5/16	130	190	600	1850	33.7	214.9	1600	1600	1600	1600	1600	1390	1100				M8-M16
RC6-350-3-600	355.6	14	20	20	30	1 9/16	170	250	650	1850	58.9	324.4	2630	2630	2630	2630	2630	2590	2050				M12-M24
RC6-350-4-600	355.6	14	24	25	36	1 7/16	190	320	700	1600	84.1	367.2	3660	3660	3660	3660	3660	3200	2600				M12-M36
RC6-350-5-600	355.6	14	30	29	45	1 3/4	220	310	750	1200	121.7	282.1	6090	6090	6090	6090	6090	5900	4660				M12-M36
RC6-350-6-600	355.6	14	36	41	54	2 1/8	270	310	800	900	181.2	227.2	7620	7620	7620	7620	7620	7620	7360				M20-M64

RC6 PRESSED RISER CLAMP SIX BOLT TYPE

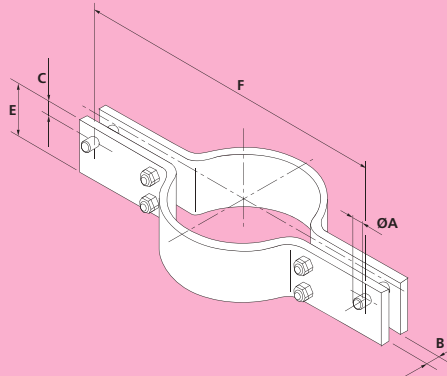


Material: Carbon Steel to 400°C Alloy Steel above 400°C

Order by Part No. and Rod Centres "F"

Part Number	Pipe O/D		A	B	C		E		F		Weight kgf		Load Capacity (kgf) at Temperature C								Compatible with Rod Sizes						
	mm	in			mm	mm	mm	in	Min.	Max.	Min.	Max.	Min.	Max.	350	400	490	530	560	580		600					
RC6-400-1-400	406.4	16	16	17	24	15/16	120	120	650	1850	26.1	99.1	770	740													M8-M16
RC6-400-2-400	406.4	16	16	17	24	15/16	120	170	650	1850	26.1	140.1	1130	1080													M8-M16
RC6-400-3-400	406.4	16	20	20	30	1 9/16	150	220	750	1850	48.5	218.3	2150	2080													M12-M24
RC6-400-4-400	406.4	16	24	25	36	1 7/16	180	240	750	1800	73.5	272.7	3320	3250													M12-M36
RC6-400-5-400	406.4	16	30	29	45	1 3/4	200	260	800	1800	87.3	340.1	4730	4680													M12-M36
RC6-400-6-400	406.4	16	36	41	54	2 1/8	240	320	850	1500	133.1	362.2	7620	7430													M20-M64
RC6-400-7-400	406.4	16	42	45	63	2 1/2	280	310	900	1150	190.4	287.4	10930	10860													M30-M64
RC6-400-8-400	406.4	16	48	52	72	2 13/16	320	320	950	950	262.9	262.6	15360	15210													M42-M80
RC6-400-1-490	406.4	16	16	17	24	15/16	100	120	650	1850	21.6	98.9	800	800	800	750	630	450	320	230							M8-M16
RC6-400-2-490	406.4	16	16	17	24	15/16	100	170	650	1850	21.6	139.9	1170	1170	1060	840	550	390	280								M8-M16
RC6-400-3-490	406.4	16	20	20	30	1 9/16	120	220	700	1850	36.8	218.0	2210	2210	2120	1780	1210	840	600								M12-M24
RC6-400-4-490	406.4	16	24	25	36	1 7/16	150	230	750	1800	60.9	260.7	3270	3270	3160	2740	2120	1500	1110								M12-M36
RC6-400-5-490	406.4	16	30	29	45	1 3/4	180	260	750	1800	74.6	339.4	4870	4870	4670	3930	2780	1970	1420								M12-M36
RC6-400-6-490	406.4	16	36	41	54	2 1/8	240	320	850	1550	131.9	371.1	7500	7500	7320	6440	4780	3490	2470								M20-M64
RC6-400-7-490	406.4	16	42	45	63	2 1/2	250	310	850	1150	162.6	286.3	10930	10930	10690	9260	7170	5370	3760								M30-M64
RC6-400-8-490	406.4	16	48	52	72	2 13/16	310	310	950	950	253.0	253.0	15290	15290	14930	13180	10610	8120	5630								M42-M80
RC6-400-1-530	406.4	16	16	17	24	15/16	100	140	650	1850	21.6	115.3	940	940	890	750	530	380	270								M8-M16
RC6-400-2-530	406.4	16	16	17	24	15/16	120	200	700	1850	36.2	164.7	1390	1390	1310	1100	780	550	400								M8-M16
RC6-400-3-530	406.4	16	20	20	30	1 9/16	140	190	700	1850	42.8	219.2	2550	2550	2470	2110	1430	1000	720								M12-M24
RC6-400-4-530	406.4	16	24	25	36	1 7/16	150	270	750	1800	60.9	305.9	3660	3660	3660	3220	2280	1610	1160								M12-M36
RC6-400-5-530	406.4	16	30	29	45	1 3/4	170	290	800	1800	87.9	378.3	5480	5480	5350	4720	3590	2620	1860								M12-M36
RC6-400-6-530	406.4	16	36	41	54	2 1/8	210	320	850	1400	134.1	340.9	7620	7620	7620	7460	5920	4440	3110								M20-M64
RC6-400-7-530	406.4	16	42	45	63	2 1/2	240	320	900	1100	184.9	285.3	10930	10930	10930	10750	8660	6620	4590								M30-M64
RC6-400-1-560	406.4	16	16	17	24	15/16	120	180	650	1850	25.7	148.1	990	990	990	990	760	610	480								M8-M16
RC6-400-2-560	406.4	16	16	17	24	15/16	100	170	650	1850	28.5	167.4	1540	1540	1540	1380	1080	870	690								M8-M16
RC6-400-3-560	406.4	16	20	20	30	1 9/16	130	220	750	1850	51.8	253.7	2630	2630	2630	2540	2050	1660	1320								M12-M24
RC6-400-4-560	406.4	16	24	25	36	1 7/16	190	250	750	1850	76.4	330.5	3660	3660	3660	3660	3220	2570	2050								M12-M36
RC6-400-5-560	406.4	16	30	29	45	1 3/4	200	310	800	1700	103.1	348.8	6090	6090	6090	5540	4570	3700	2940								M12-M36
RC6-400-6-560	406.4	16	36	41	54	2 1/8	250	320	850	1250	158.2	310.7	7620	7620	7620	7620	7380	6040	4770								M20-M64
RC6-400-7-560	406.4	16	42	45	63	2 1/2	290	310	900	950	222.5	247.3	10930	10930	10930	10930	10930	9010	7120								M30-M64
RC6-400-1-600	406.4	16	16	17	24	15/16	100	180	650	1850	28.5	177.2	1540	1540	1540	1460	1150	920	730								M8-M16
RC6-400-2-600	406.4	16	16	17	24	15/16	150	190	650	1850	42.6	217.6	1600	1600	1600	1600	1600	1420	1120								M8-M16
RC6-400-3-600	406.4	16	20	20	30	1 9/16	170	250	700	1850	64.0	328.5	2630	2630	2630	2630	2540	2030	1520								M12-M24
RC6-400-4-600	406.4	16	24	25	36	1 7/16	200	320	750	1650	95.8	382.5	3660	3660	3660	3660	3660	3660	3180								M12-M36
RC6-400-5-600	406.4	16	30	29	45	1 3/4	220	310	800	1250	131.2	297.1	6090	6090	6090	6090	6090	5820	4600								M12-M36
RC6-400-6-600	406.4	16	36	41	54	2 1/8	280	320	850	950	201.1	249.5	7620	7620	7620	7620	7620	7620	7370								M20-M64

RC6 PRESSED RISER CLAMP SIX BOLT TYPE

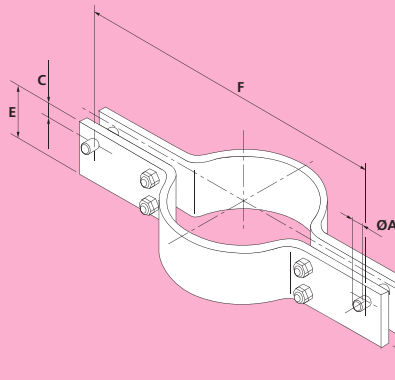


Material: Carbon Steel to 400°C Alloy Steel above 400°C

Order by Part No. and Rod Centres "F"

Part Number	Pipe O/D		A		B		C		E		F		Weight kgf		Load Capacity (kgf) at Temperature C							Compatible with Rod Sizes
	mm	in	mm	mm	mm	in	Min.	Max.	Min.	Max.	Min.	Max.	350	400	490	530	560	580	600			
RC6-450-2-400	457.2	18	16	17	24	15/16	120	160	700	1800	28.3	130.5	1140	1100							M8-M16	
RC6-450-3-400	457.2	18	20	20	30	13/16	150	200	800	1800	52.2	196.5	2080	2020							M12-M24	
RC6-450-4-400	457.2	18	24	25	36	17/16	180	230	800	1800	79.0	264.8	3290	3220							M12-M36	
RC6-450-5-400	457.2	18	30	29	45	13/4	200	250	850	1800	93.4	331.4	4680	4580							M12-M36	
RC6-450-6-400	457.2	18	36	41	54	21/8	220	320	950	1550	156.9	377.7	7600	7530							M20-M64	
RC6-450-7-400	457.2	18	42	45	63	21/2	280	310	950	1200	203.9	304.0	10930	10730							M30-M64	
RC6-450-8-400	457.2	18	48	52	72	213/16	320	320	1000	1000	277.9	277.9	15070	14930							M42-M80	
RC6-450-2-490	457.2	18	16	17	24	15/16	120	160	700	1800	28.1	130.3	1180	1180	1110	920	610	430	300		M8-M16	
RC6-450-3-490	457.2	18	20	20	30	13/16	120	200	750	1800	39.8	196.2	2140	2140	2030	1690	1150	800	580		M12-M24	
RC6-450-4-490	457.2	18	24	25	36	17/16	150	230	800	1800	65.5	264.2	3380	3380	3280	2860	2230	1610	1160		M12-M36	
RC6-450-5-490	457.2	18	30	29	45	13/4	200	250	850	1800	92.7	331.4	4820	4820	4640	3920	2800	2000	1430		M12-M36	
RC6-450-6-490	457.2	18	36	41	54	21/8	240	320	900	1600	140.8	386.6	7470	7470	7310	6340	4760	3500	2470		M20-M64	
RC6-450-7-490	457.2	18	42	45	63	21/2	260	320	900	1250	179.9	320.9	10930	10930	10720	9500	7440	5600	3910		M30-M64	
RC6-450-8-490	457.2	18	48	52	72	213/16	320	320	1000	1000	276.2	276.2	15520	15520	15190	13460	10940	8410	5880		M42-M80	
RC6-450-2-530	457.2	18	16	17	24	15/16	120	180	750	1800	39.2	146.7	1340	1340	1260	1060	760	540	390		M8-M16	
RC6-450-3-530	457.2	18	20	20	30	13/16	150	230	750	1800	49.5	225.5	2490	2490	2400	2050	1470	1020	740		M12-M24	
RC6-450-4-530	457.2	18	24	25	36	17/16	160	260	800	1800	69.7	298.4	3660	3660	3660	3260	2430	1730	1240		M12-M36	
RC6-450-5-530	457.2	18	30	29	45	13/4	180	280	850	1800	100.3	370.8	5460	5460	5340	4730	3790	2790	1970		M12-M36	
RC6-450-6-530	457.2	18	36	41	54	21/8	210	320	900	1450	143.0	356.4	7620	7620	7620	7500	5890	4430	3100		M20-M64	
RC6-450-7-530	457.2	18	42	45	63	21/2	250	320	950	1150	204.5	300.8	10930	10930	10930	10930	8890	6840	4780		M30-M64	
RC6-450-2-560	457.2	18	16	17	24	15/16	110	160	700	1800	34.0	155.8	1490	1490	1490	1390	1100	890	710		M8-M16	
RC6-450-3-560	457.2	18	20	20	30	13/16	130	210	800	1800	55.8	239.6	2630	2630	2630	2610	2090	1670	1330		M12-M24	
RC6-450-4-560	457.2	18	24	25	36	17/16	190	230	800	1800	82.2	301.1	3660	3660	3660	3660	3180	2540	2020		M12-M36	
RC6-450-5-560	457.2	18	30	29	45	13/4	210	320	850	1800	115.9	422.7	6090	6090	6090	5520	4590	3760	2980		M12-M36	
RC6-450-6-560	457.2	18	36	41	54	21/8	250	320	900	1300	169.6	326.2	7620	7620	7620	7620	7470	6090	4820		M20-M64	
RC6-450-7-560	457.2	18	42	45	63	21/2	290	310	950	1000	236.5	262.3	10930	10930	10930	10930	10920	8970	7100		M30-M64	
RC6-450-2-600	457.2	18	16	17	24	15/16	160	240	700	1800	49.3	233.6	1600	1600	1600	1600	1600	1370	1100		M8-M16	
RC6-450-3-600	457.2	18	20	20	30	13/16	180	230	750	1800	73.3	299.0	2470	2470	2470	2470	2470	2470	2040		M12-M24	
RC6-450-4-600	457.2	18	24	25	36	17/16	200	320	800	1700	103.0	399.0	3660	3660	3660	3660	3660	3660	3210		M12-M36	
RC6-450-5-600	457.2	18	30	29	45	13/4	220	310	850	1300	140.6	312.1	6090	6090	6090	6090	6090	5780	4570		M12-M36	
RC6-450-6-600	457.2	18	36	41	54	21/8	280	320	900	1000	214.6	265.0	7620	7620	7620	7620	7620	7620	7350		M20-M64	

RC6 PRESSED RISER CLAMP SIX BOLT TYPE

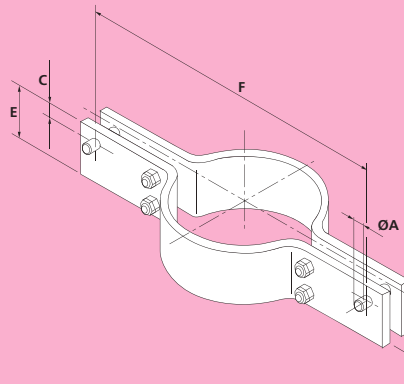


Material: Carbon Steel to 400°C Alloy Steel above 400°C

Order by Part No. and Rod Centres "F"

Part Number	Pipe O/D		A	B	C		E		F		Weight kgf		Load Capacity (kgf) at Temperature C							Compatible with Rod Sizes	
	mm	in			mm	in	Min.	Max.	Min.	Max.	Min.	Max.	350	400	400	530	560	580	600		
RC6-500-2-400	508	20	16	17	24	1 ⁵ / ₁₆	150	150	800	1800	52.8	124.4	1110	1060							M8-M16
RC6-500-3-400	508	20	20	20	30	1 ⁹ / ₁₆	180	190	850	1750	83.5	185.4	2130	2080							M12-M24
RC6-500-4-400	508	20	24	25	36	1 ⁷ / ₁₆	180	210	850	1750	84.5	239.5	3220	3170							M12-M36
RC6-500-5-400	508	20	30	29	45	1 ³ / ₄	220	230	950	1750	136.2	302.7	4620	4580							M12-M36
RC6-500-6-400	508	20	36	41	54	2 ¹ / ₈	220	320	1000	1600	166.2	393.2	7600	7530							M20-M64
RC6-500-7-400	508	20	42	45	63	2 ¹ / ₂	260	310	1050	1250	236.0	319.0	10930	10930							M30-M64
RC6-500-2-490	508	20	16	17	24	1 ⁵ / ₁₆	120	150	800	1800	42.1	124.1	1140	1140	1080	920	660	480	340		M8-M16
RC6-500-3-490	508	20	20	20	30	1 ⁹ / ₁₆	140	190	800	1750	49.7	184.7	2200	2200	2120	1810	1250	870	630		M12-M24
RC6-500-4-490	508	20	24	25	36	1 ⁷ / ₁₆	150	210	850	1750	70.1	238.8	3320	3320	3220	2820	2230	1610	1150		M12-M36
RC6-500-5-490	508	20	30	29	45	1 ³ / ₄	180	230	900	1750	106.8	301.7	4760	4760	4670	4160	3410	2630	1850		M12-M36
RC6-500-6-490	508	20	36	41	54	2 ¹ / ₈	190	320	950	1650	137.8	402.1	7470	7470	7320	6520	5230	3960	2760		M20-M64
RC6-500-7-490	508	20	42	45	63	2 ¹ / ₂	280	320	1000	1300	214.2	337.9	10930	10930	10720	9370	7400	5600	3900		M30-M64
RC6-500-8-490	508	20	48	52	72	2 ¹³ / ₁₆	320	320	1050	1050	291.7	291.7	15230	15230	14940	13300	10900	8420	5930		M42-M80
RC6-500-2-530	508	20	16	17	24	1 ⁵ / ₁₆	120	180	800	1800	42.1	148.8	1390	1390	1320	1120	810	580	420		M8-M16
RC6-500-3-530	508	20	20	20	30	1 ⁹ / ₁₆	160	210	800	1750	56.7	204.1	2450	2450	2360	2020	1440	1000	730		M12-M24
RC6-500-4-530	508	20	24	25	36	1 ⁷ / ₁₆	160	240	850	1750	74.6	272.7	3660	3660	3660	3260	2410	1730	1240		M12-M36
RC6-500-5-530	508	20	30	29	45	1 ³ / ₄	180	260	900	1750	106.8	340.8	5450	5450	5340	4750	3770	2790	1960		M12-M36
RC6-500-6-530	508	20	36	41	54	2 ¹ / ₈	210	320	950	1500	151.9	371.9	7620	7620	7620	7410	5850	4430	3090		M20-M64
RC6-500-7-530	508	20	42	45	63	2 ¹ / ₂	250	320	1000	1200	217.8	317.5	10930	10930	10930	10930	8960	6920	4880		M30-M64
RC6-500-2-560	508	20	16	17	24	1 ⁵ / ₁₆	120	150	800	1800	41.9	148.2	1450	1450	1450	1360	1080	870	690		M8-M16
RC6-500-3-560	508	20	20	20	30	1 ⁹ / ₁₆	130	200	850	1800	59.8	231.3	2480	2480	2480	2480	2040	1640	1300		M12-M24
RC6-500-4-560	508	20	24	25	36	1 ⁷ / ₁₆	200	280	850	1750	92.6	317.9	3660	3660	3660	3660	3170	2590	2050		M12-M36
RC6-500-5-560	508	20	30	29	45	1 ³ / ₄	210	300	900	1750	123.5	392.1	5960	5960	5960	5610	4690	3830	3040		M12-M36
RC6-500-6-560	508	20	36	41	54	2 ¹ / ₈	250	310	950	1350	180.2	331.1	7620	7620	7620	7320	6020	4780		M20-M64	
RC6-500-7-560	508	20	42	45	63	2 ¹ / ₂	290	310	1000	1050	250.6	277.3	10930	10930	10930	10850	8920	7090		M30-M64	
RC6-500-2-600	508	20	16	17	24	1 ⁵ / ₁₆	110	230	800	1800	47.7	222.0	1330	1330	1330	1330	1330	1330	1080		M8-M16
RC6-500-3-600	508	20	20	20	30	1 ⁹ / ₁₆	200	220	800	1800	87.5	289.9	2450	2450	2450	2450	2450	2450	2090		M12-M24
RC6-500-4-600	508	20	24	25	36	1 ⁷ / ₁₆	200	310	850	1750	110.4	400.9	3660	3660	3660	3660	3660	3160		M12-M36	
RC6-500-5-600	508	20	30	29	45	1 ³ / ₄	230	320	900	1400	156.7	347.7	6090	6090	6090	6090	6090	5840		M12-M36	
RC6-500-6-600	508	20	36	41	54	2 ¹ / ₈	300	320	1000	1050	254.5	281.3	7620	7620	7620	7620	7620	7620	7340		M20-M64

RC6 PRESSED RISER CLAMP SIX BOLT TYPE

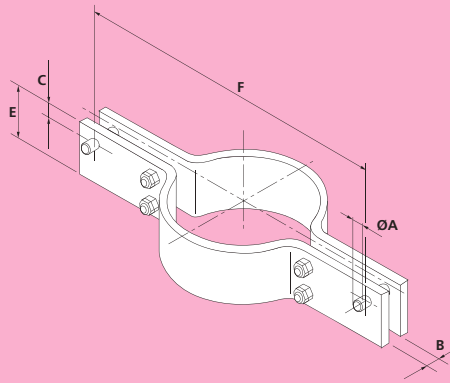


Material: Carbon Steel to 400°C Alloy Steel above 400°C

Order by Part No. and Rod Centres "F"

Part Number	Pipe O/D		A		B		C		E		F		Weight kgf		Load Capacity (kgf) at Temperature C						Compatible with Rod Sizes	
	mm	in	mm	mm	mm	in	Min.	Max.	Min.	Max.	Min.	Max.	350	400	490	530	560	580	600			
RC6-550-3-400	558.8	22	20	20	30	1 3/16	180	180	900	1750	89.0	178.1	2100	2470							M12-M24	
RC6-550-4-400	558.8	22	24	25	36	1 7/16	220	220	950	1750	136.6	255.0	3530	3470							M12-M36	
RC6-550-5-400	558.8	22	30	29	45	1 9/16	260	260	1050	1750	205.3	347.6	5510	5460							M12-M36	
RC6-550-6-400	558.8	22	36	41	54	2 1/8	260	320	1050	1650	208.1	410.0	7590	7520							M20-M64	
RC6-550-7-400	558.8	22	42	45	63	2 1/2	260	310	1100	1300	248.4	333.8	10930	10870							M30-M64	
RC6-550-3-490	558.8	22	20	20	30	1 3/16	150	180	850	1750	56.9	177.5	2160	2160	2080	1770	1210	840	610		M12-M24	
RC6-550-4-490	558.8	22	24	25	36	1 7/16	150	200	900	1750	74.6	230.4	3280	3280	3180	2770	2020	1440	1030		M12-M36	
RC6-550-5-490	558.8	22	30	29	45	1 9/16	180	270	950	1700	113.4	307.2	4760	4760	4620	4020	3160	2380	1660		M12-M36	
RC6-550-6-490	558.8	22	36	41	54	2 1/8	220	320	1050	1700	175.5	418.5	7460	7460	7300	6480	5280	4070	2850		M20-M64	
RC6-550-7-490	558.8	22	42	45	63	2 1/2	230	320	1050	1350	211.8	352.9	10930	10930	10770	9560	7790	6000	4200		M30-M64	
RC6-550-3-530	558.8	22	20	20	30	1 3/16	150	210	900	1750	73.8	206.9	2550	2550	2460	2100	1580	1170	820		M12-M24	
RC6-550-4-530	558.8	22	24	25	36	1 7/16	170	230	900	1750	84.4	264.8	3660	3660	3660	3210	2310	1660	1180		M12-M36	
RC6-550-5-530	558.8	22	30	29	45	1 9/16	180	250	950	1750	113.4	332.0	5440	5440	5330	4730	3630	2670	1890		M12-M36	
RC6-550-6-530	558.8	22	36	41	54	2 1/8	230	320	1050	1550	183.3	388.3	7620	7620	7370	5780	4360	3040			M20-M64	
RC6-550-7-530	558.8	22	42	45	63	2 1/2	260	320	1050	1250	238.7	332.8	10930	10930	10930	10740	8760	6740	4720		M30-M64	
RC6-550-3-560	558.8	22	20	20	30	1 3/16	150	180	900	1750	73.5	206.0	2590	2590	2590	2490	2020	1650	1310		M12-M24	
RC6-550-4-560	558.8	22	24	25	36	1 7/16	160	280	950	1750	98.5	322.1	3660	3660	3660	3660	3280	2680	2120		M12-M36	
RC6-550-5-560	558.8	22	30	29	45	1 9/16	210	290	950	1750	131.2	384.7	5380	5380	5380	5380	4580	3700	2930		M12-M36	
RC6-550-6-560	558.8	22	36	41	54	2 1/8	260	320	1000	1400	198.3	357.0	7620	7620	7620	7620	7480	6090	4820		M20-M64	
RC6-550-7-560	558.8	22	42	45	63	2 1/2	300	320	1050	1100	274.6	302.6	10930	10930	10930	10930	10930	10910	8960	7110		M30-M64
RC6-550-3-600	558.8	22	20	20	30	1 3/16	150	270	900	1750	87.6	308.6	2600	2600	2600	2600	2600	2600	2570	2030		M12-M24
RC6-550-4-600	558.8	22	24	25	36	1 7/16	220	310	900	1750	129.4	406.2	3660	3660	3660	3660	3660	3660	3660	3160		M12-M36
RC6-550-5-600	558.8	22	30	29	45	1 9/16	230	320	950	1450	166.4	363.1	5920	5920	5920	5920	5920	5920	5790	4590		M12-M36
RC6-550-6-600	558.8	22	36	41	54	2 1/8	310	310	1050	1050	277.7	277.7	7620	7620	7620	7620	7620	7620	7380		M20-M64	
RC6-600-3-400	609.6	24	20	20	30	1 3/16	180	180	950	1700	94.5	176.2	2300	2240							M12-M24	
RC6-600-4-400	609.6	24	24	25	36	1 7/16	220	220	1000	1700	144.7	252.3	3660	3660							M12-M36	
RC6-600-5-400	609.6	24	30	29	45	1 9/16	260	260	1100	1700	216.5	302.3	4660	4660							M12-M36	
RC6-600-6-400	609.6	24	36	41	54	2 1/8	260	320	1100	1700	219.3	425.7	7600	7530							M20-M64	
RC6-600-7-400	609.6	24	42	45	63	2 1/2	290	310	1150	1350	292.5	351.0	10810	10720							M30-M64	
RC6-600-3-490	609.6	24	20	20	30	1 3/16	160	170	900	1700	64.6	165.9	2230	2230	2090	1750	1210	840	610		M12-M24	
RC6-600-4-490	609.6	24	24	25	36	1 7/16	180	190	1000	1700	99.1	217.4	3400	3400	3310	2900	2290	1650	1180		M12-M36	
RC6-600-5-490	609.6	24	30	29	45	1 9/16	180	260	1000	1700	120.1	299.9	4800	4800	4670	4090	3240	2450	1710		M12-M36	
RC6-600-6-490	609.6	24	36	41	54	2 1/8	220	310	1100	1700	185.0	411.0	7570	7570	7420	6620	5440	4180	2900		M20-M64	
RC6-600-7-490	609.6	24	42	45	63	2 1/2	250	320	1150	1400	249.9	368.6	10930	10930	10740	9570	7870	6080	4300		M30-M64	
RC6-600-3-530	609.6	24	20	20	30	1 3/16	150	190	950	1700	78.4	185.3	2520	2520	2430	2080	1590	1170	830		M12-M24	
RC6-600-4-530	609.6	24	24	25	36	1 7/16	190	210	950	1700	100.0	240.0	3660	3660	3660	3660	3230	2430	1750	1250		M12-M36
RC6-600-5-530	609.6	24	30	29	45	1 9/16	180	230	1000	1700	120.1	302.4	5450	5450	5350	4600	3500	2590	1820		M12-M36	
RC6-600-6-530	609.6	24	36	41	54	2 1/8	240	310	1100	1600	201.4	391.5	7620	7620	7620	7620	7330	6020	4580	3190		M20-M64
RC6-600-7-530	609.6	24	42	45	63	2 1/2	280	310	1150	1250	279.2	328.0	10930	10930	10930	10910	8970	6930	4900		M30-M64	
RC6-600-3-560	609.6	24	20	20	30	1 3/16	160	230	950	1700	83.2	224.1	2520	2520	2520	2520	2070	1670	1330		M12-M24	
RC6-600-4-560	609.6	24	24	25	36	1 7/16	180	250	1000	1700	118.0	285.4	3660	3660	3660	3660	3230	2640	2090		M12-M36	
RC6-600-5-560	609.6	24	30	29	45	1 9/16	220	260	1000	1700	146.2	341.6	6090	6090	6090	5510	4610	3730	2960		M12-M36	
RC6-600-6-560	609.6	24	36	41	54	2 1/8	260	310	1050	1450	209.5	361.2	7620	7620	7620	7620	7390	6050	4790		M20-M64	
RC6-600-7-560	609.6	24	42	45	63	2 1/2	320	320	1150	1150	318.3	318.3	10930	10930	10930	10930	10840	8920	7100		M30-M64	
RC6-600-3-600	609.6	24	20	20	30	1 3/16	160	250	950	1700	99.3	282.7	2530	2530	2530	2530	2530	2530	2530	2050		M12-M24
RC6-600-4-600	609.6	24	24	25	36	1 7/16	240	280	950	1700	149.9	363.1	3660	3660	3660	3660	3660	3660	3660	3220		M12-M36
RC6-600-5-600	609.6	24	30	29	45	1 9/16	250	320	1050	1500	198.3	379.6	5840	5840	5840	5840	5840	5840	5840	4590		M12-M36
RC6-600-6-600	609.6	24	36	41	54	2 1/8	310	310	1100	1100	292.9	292.2	7620	7620	7620	7620	7620	7620	7360		M20-M64	

RC6 PRESSED RISER CLAMP SIX BOLT TYPE

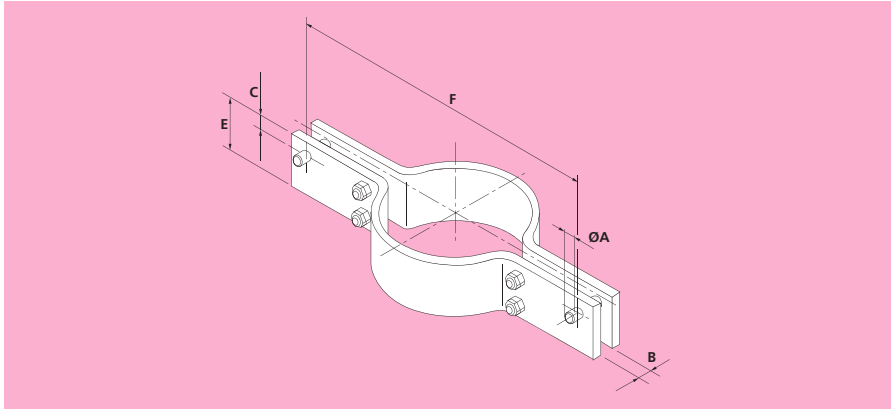


Material: Carbon Steel to 400°C Alloy Steel above 400°C

Order by Part No. and Rod Centres "F"

Part Number	Pipe O/D		A		B		C		E		F		Weight kgf		Load Capacity (kgf) at Temperature C						Compatible with Rod Sizes	
	mm	in	mm	mm	mm	in	Min.	Max.	Min.	Max.	Min.	Max.	350	400	490	530	560	580	600			
RC6-750-4-400	762.0	30	24	25	36	1 7/16	220	220	1200	1600	174.2	215.7	3660	3650							M12-M36	
RC6-750-5-400	762.0	30	30	29	45	1 3/4	260	260	1250	1600	249.8	299.9	6020	5920							M12-M36	
RC6-750-6-400	762.0	30	36	41	54	2 1/8	290	290	1300	1600	330.3	385.0	7620	7620							M20-M64	
RC6-750-4-490	762.0	30	24	25	36	1 7/16	200	190	1150	1600	128.3	185.7	3290	3290	3170	2720	2040	1470	1050		M12-M36	
RC6-750-5-490	762.0	30	30	29	45	1 3/4	200	210	1150	1600	155.2	240.7	4900	4900	4770	4120	3120	2310	1630		M12-M36	
RC6-750-6-490	762.0	30	36	41	54	2 1/8	220	250	1250	1600	213.0	329.5	7530	7530	7320	6400	5050	3830	2670		M20-M64	
RC6-750-7-490	762.0	30	42	45	63	2 1/2	260	320	1300	1500	299.0	406.5	10930	10930	10810	9620	7890	6090	4290		M30-M64	
RC6-750-4-530	762.0	30	24	25	36	1 7/16	180	220	1150	1600	137.8	214.7	3660	3660	3660	3190	2420	1790	1260		M12-M36	
RC6-750-5-530	762.0	30	30	29	45	1 3/4	220	230	1150	1600	170.5	263.4	5420	5420	5270	4560	3460	2580	1800		M12-M36	
RC6-750-6-530	762.0	30	36	41	54	2 1/8	250	280	1250	1600	241.5	368.5	7620	7620	7620	7350	5810	4400	3060		M20-M64	
RC6-750-7-530	762.0	30	42	45	63	2 1/2	290	320	1300	1400	332.6	386.4	10930	10930	10930	10720	8790	6780	4780		M30-M64	
RC6-750-4-560	762.0	30	24	25	36	1 7/16	200	210	1150	1650	152.9	243.8	3660	3660	3660	3660	3280	2660	2110		M12-M36	
RC6-750-5-560	762.0	30	30	29	45	1 3/4	200	280	1200	1600	185.4	320.2	5840	5840	5840	5710	4660	3800	3010		M12-M36	
RC6-750-6-560	762.0	30	36	41	54	2 1/8	230	320	1250	1600	252.9	420.5	7620	7620	7620	7620	7370	6060	4820		M20-M64	
RC6-750-4-600	762.0	30	24	25	36	1 7/16	220	230	1150	1650	194.1	303.1	3660	3660	3660	3660	3660	3660	3200		M12-M36	
RC6-750-5-600	762.0	30	30	29	45	1 3/4	230	310	1200	1600	242.0	403.3	6090	6090	6090	6090	6090	5860	4650		M12-M36	
RC6-800-4-400	812.8	32	24	25	36	1 7/16	260	260	1250	1600	250.7	300.7	3660	3660							M12-M36	
RC6-800-5-400	812.8	32	30	29	45	1 3/4	260	260	1300	1600	261.1	304.0	6090	6090							M12-M36	
RC6-800-6-400	812.8	32	36	41	54	2 1/8	290	290	1350	1600	344.5	390.1	7620	7620							M20-M64	
RC6-800-4-490	812.8	32	24	25	36	1 7/16	180	190	1200	1600	144.5	188.3	3400	3400	3290	2830	2170	1610	1130		M12-M36	
RC6-800-5-490	812.8	32	30	29	45	1 3/4	210	220	1250	1600	175.5	256.6	4910	4910	4750	4090	3130	2330	1640		M12-M36	
RC6-800-6-490	812.8	32	36	41	54	2 1/8	240	240	1300	1600	242.4	320.8	7560	7560	7430	6620	5280	4020	2790		M20-M64	
RC6-800-7-490	812.8	32	42	45	63	2 1/2	270	320	1350	1550	323.6	422.4	10880	10880	10690	9560	7900	6130	4350		M30-M64	
RC6-800-4-530	812.8	32	24	25	36	1 7/16	180	210	1200	1600	144.5	207.9	3660	3660	3660	3160	2420	1800	1270		M12-M36	
RC6-800-5-530	812.8	32	30	29	45	1 3/4	240	220	1250	1600	200.2	256.6	5350	5350	5210	4570	3610	2690	1890		M12-M36	
RC6-800-6-530	812.8	32	36	41	54	2 1/8	270	270	1300	1600	272.2	360.3	7620	7620	7620	7620	7520	5990	4560		M12-M36	
RC6-800-7-530	812.8	32	42	45	63	2 1/2	290	310	1350	1400	347.0	380.2	10930	10930	10930	10760	8890	6900	4900		M30-M64	
RC6-800-4-560	812.8	32	24	25	36	1 7/16	210	190	1200	1600	168.3	218.6	3660	3660	3660	3660	3660	3220	2630	2080		M12-M36
RC6-800-5-560	812.8	32	30	29	45	1 3/4	210	270	1250	1600	203.7	313.1	5720	5720	5720	5680	4660	3810	3010		M12-M36	
RC6-800-6-560	812.8	32	36	41	54	2 1/8	240	310	1300	1600	275.5	413.0	7620	7620	7620	7620	7420	6110	4870		M20-M64	
RC6-800-4-600	812.8	32	24	25	36	1 7/16	230	280	1200	1600	212.9	320.5	3660	3660	3660	3660	3660	3660	3190		M12-M36	
RC6-800-5-600	812.8	32	30	29	45	1 3/4	230	300	1250	1600	253.3	395.6	6090	6090	6090	6090	6090	5720	4560		M12-M36	

RC6 PRESSED RISER CLAMP SIX BOLT TYPE

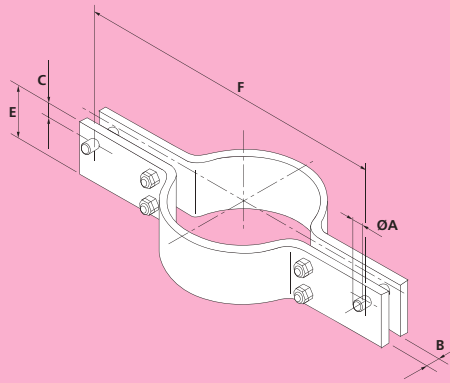


Material: Carbon Steel to 400°C Alloy Steel above 400°C

Order by Part No. and Rod Centres "F"

Part Number	Pipe O/D		A	B	C		E		F		Weight kgf		Load Capacity (kgf) at Temperature C							Compatible with Rod Sizes						
	mm	in			mm	in	Min.	Max.	Min.	Max.	Min.	Max.	350	400	490	530	560	580	600							
RC6-850-4-400	863.6	34	24	25	36	17/16	260	260	1350	1550	269.0	297.6	3660	3660											M12-M36	
RC6-850-5-400	863.6	34	30	29	45	1 3/4	260	260	1350	1550	272.1	300.7	6090	6090												M12-M36
RC6-850-6-400	863.6	34	36	41	54	2 1/8	290	290	1400	1550	358.5	385.9	7620	7620												M20-M64
RC6-850-4-490	863.6	34	24	25	36	17/16	180	180	1250	1550	151.2	176.6	3490	3490	3370	2890	2200	1630	1150							M12-M36
RC6-850-5-490	863.6	34	30	29	45	1 3/4	220	240	1300	1550	191.8	237.4	4790	4790	4620	3960	3020	2240	1570							M12-M36
RC6-850-6-490	863.6	34	36	41	54	2 1/8	250	280	1350	1550	263.1	324.9	7580	7580	7370	6450	5110	3880	2700							M20-M64
RC6-850-7-490	863.6	34	42	45	63	2 1/2	280	310	1400	1550	348.9	414.7	10900	10900	10700	9530	7840	6060	4280							M30-M64
RC6-850-4-530	863.6	34	24	25	36	17/16	180	200	1250	1550	151.2	196.0	3660	3660	3660	3220	2450	1820	1280							M12-M36
RC6-850-5-530	863.6	34	30	29	45	1 3/4	220	220	1300	1550	223.6	253.8	5820	5820	5670	4960	3930	2980	2070							M12-M36
RC6-850-6-530	863.6	34	36	41	54	2 1/8	280	260	1350	1550	294.1	344.9	7620	7620	7620	7330	5800	4400	3060							M20-M64
RC6-850-7-530	863.6	34	42	45	63	2 1/2	310	320	1400	1450	385.5	407.8	10930	10930	10930	10870	8940	6910	4880							M20-M64
RC6-850-4-560	863.6	34	24	25	36	17/16	220	240	1250	1550	184.3	234.8	3660	3660	3660	3660	3200	2590	2050							M12-M36
RC6-850-5-560	863.6	34	30	29	45	1 3/4	220	250	1300	1550	222.6	286.9	5620	5620	5620	5620	5610	4580	3740	2960						M12-M36
RC6-850-6-560	863.6	34	36	41	54	2 1/8	260	290	1350	1550	310.7	382.4	7620	7620	7620	7620	7500	6170	4910							M20-M64
RC6-850-4-600	863.6	34	24	25	36	17/16	240	260	1250	1550	232.4	294.6	3660	3660	3660	3660	3660	3660	3180							M12-M36
RC6-850-5-600	863.6	34	30	29	45	1 3/4	250	280	1300	1550	287.3	365.5	6090	6090	6090	6090	6090	6090	5850	4660						M12-M36
RC6-900-4-400	914.4	36	24	25	36	17/16	260	260	1400	1550	280.3	301.7	3660	3660												M12-M36
RC6-900-5-400	914.4	36	30	29	45	1 3/4	260	260	1400	1550	283.4	304.9	6090	6090												M12-M36
RC6-900-6-400	914.4	36	36	41	54	2 1/8	290	290	1450	1500	372.9	382.0	7620	7620												M20-M64
RC6-900-4-490	914.4	36	24	25	36	17/16	180	180	1300	1550	157.9	179.1	3630	3630	3510	3030	2330	1740	1220							M12-M36
RC6-900-5-490	914.4	36	30	29	45	1 3/4	230	230	1350	1500	209.0	225.3	4800	4800	4640	4000	3080	2290	1610							M12-M36
RC6-900-6-490	914.4	36	36	41	54	2 1/8	260	270	1400	1500	284.6	310.2	7490	7490	7300	6420	5130	3910	2720							M20-M64
RC6-900-7-490	914.4	36	42	45	63	2 1/2	290	290	1450	1500	375.5	384.6	10890	10890	10710	9590	7950	6170	4390							M30-M64
RC6-900-4-530	914.4	36	24	25	36	17/16	190	190	1300	1550	166.5	188.9	3660	3660	3660	3220	2470	1840	1290							M12-M36
RC6-900-5-530	914.4	36	30	29	45	1 3/4	220	220	1400	1550	239.2	257.3	6060	6060	5910	5190	4150	3160	2200							M12-M36
RC6-900-6-530	914.4	36	36	41	54	2 1/8	260	260	1450	1500	333.3	341.4	7620	7620	7620	7620	7620	7020	5450	3880						M20-M64
RC6-900-4-560	914.4	36	24	25	36	17/16	230	230	1300	1550	201.2	228.3	3660	3660	3660	3660	3220	2610	2070							M12-M36
RC6-900-5-560	914.4	36	30	29	45	1 3/4	230	240	1350	1550	242.6	279.4	5530	5530	5530	5530	4590	3780	2970							M12-M36
RC6-900-6-560	914.4	36	36	41	54	2 1/8	270	270	1400	1500	335.8	352.8	7620	7620	7620	7620	7500	6180	4930							M20-M64
RC6-900-4-600	914.4	36	24	25	36	17/16	250	250	1300	1550	252.9	287.3	3660	3660	3660	3660	3660	3660	3660	3210						M12-M36
RC6-900-5-600	914.4	36	30	29	45	1 3/4	260	260	1400	1550	319.8	344.3	6090	6090	6090	6090	6090	6090	5770	4610						M12-M36

RC6 PRESSED RISER CLAMP SIX BOLT TYPE

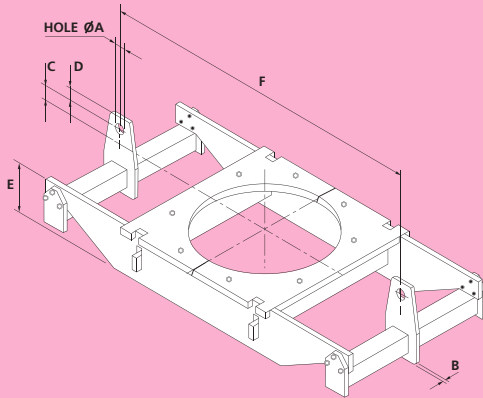


Material: Carbon Steel to 400°C Alloy Steel above 400°C

Order by Part No. and Rod Centres "F"

Part Number	Pipe O/D		A		B		C		E		F		Weight kgf		Load Capacity (kgf) at Temperature C						Compatible with Rod Sizes
	mm	in	mm	mm	mm	in	Min.	Max.	Min.	Max.	Min.	Max.	350	400	490	530	560	580	600		
RC6-950-4-400	965.2	38	24	25	36	1 7/16	260	260	1450	1500	291.4	298.6	3660	3660							M12-M36
RC6-950-5-400	965.2	38	30	29	45	1 3/4	290	290	1500	1500	383.9	383.9	6090	6090							M12-M36
RC6-950-6-400	965.2	38	36	41	54	2 1/8	290	290	1500	1500	387.2	387.2	7620	7620							M20-M64
RC6-950-4-490	965.2	38	24	25	36	1 7/16	180	180	1350	1500	164.6	177.3	3470	3470	3360	2910	2260	1700	1190		M12-M36
RC6-950-5-490	965.2	38	30	29	45	1 3/4	240	240	1400	1500	226.9	238.3	4760	4760	4610	4000	3110	2330	1630		M12-M36
RC6-950-6-490	965.2	38	36	41	54	2 1/8	280	280	1450	1500	318.3	326.0	7620	7620	7490	6620	5350	4100	2850		M20-M64
RC6-950-7-490	965.2	38	42	45	63	2 1/2	310	310	1500	1500	416.1	416.1	10930	10930	10910	9810	8220	6410	4610		M30-M64
RC6-950-4-530	965.2	38	24	25	36	1 7/16	200	200	1350	1500	182.6	196.8	3660	3660	3660	3270	2540	1910	1330		M12-M36
RC6-950-5-530	965.2	38	30	29	45	1 3/4	220	220	1450	1500	248.8	254.8	5800	5800	5670	5010	4050	3100	2160		M12-M36
RC6-950-6-530	965.2	38	36	41	54	2 1/8	260	260	1500	1500	346.0	346.0	7620	7620	7620	7620	6760	5270	3790		M20-M64
RC6-950-4-560	965.2	38	24	25	36	1 7/16	240	240	1350	1500	218.8	235.7	3660	3660	3660	3660	3250	2640	2090		M12-M36
RC6-950-5-560	965.2	38	30	29	45	1 3/4	240	240	1400	1500	263.4	276.6	5440	5440	5440	5440	4610	3780	2980		M12-M36
RC6-950-6-560	965.2	38	36	41	54	2 1/8	280	280	1500	1500	370.6	370.6	7620	7620	7620	7620	7480	6180	4950		M20-M64
RC6-950-4-600	965.2	38	24	25	36	1 7/16	260	260	1400	1500	282.0	296.3	3660	3660	3660	3660	3660	3660	3230		M12-M36
RC6-950-5-600	965.2	38	30	29	45	1 3/4	270	270	1450	1500	345.3	353.3	6090	6090	6090	6090	6090	5840	4680		M12-M36
RC6-1000-4-400	1016.0	40	24	25	36	1 7/16	260	260	1500	1500	302.6	302.6	3660	3660							M12-M36
RC6-1000-4-490	1016.0	40	24	25	36	1 7/16	180	180	1400	1500	171.2	179.7	3300	3300	3190	2760	2130	1590	1110		M12-M36
RC6-1000-4-530	1016.0	40	24	25	36	1 7/16	210	210	1400	1500	199.4	209.3	3660	3660	3660	3260	2510	1880	1320		M12-M36
RC6-1000-4-560	1016.0	40	24	25	36	1 7/16	190	190	1450	1500	214.7	220.0	3660	3660	3660	3660	3350	2740	2160		M12-M36
RC6-1000-5-560	1016.0	40	30	29	45	1 3/4	260	260	1450	1450	296.3	296.3	5590	5590	5590	5590	4740	3880	3060		M12-M36
RC6-1000-4-600	1016.0	40	24	25	36	1 7/16	270	270	1450	1500	304.3	311.7	3660	3660	3660	3660	3660	3660	3170		M12-M36
RC6-1000-5-600	1016.0	40	30	29	45	1 3/4	280	280	1500	1500	371.7	371.7	6030	6030	6030	6030	6030	5720	4570		M12-M36

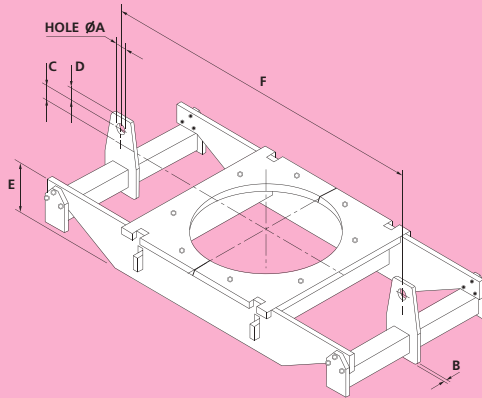
FPR RISER CLAMP FLAT PLATE TYPE



Material: Carbon Steel to 400°C Alloy Steel above 400°C End Beams and Lugs: Carbon Steel. Order by Part No. and Rod Centres "F"

Part Number	Pipe O/D		A	B	C	D	E	F		Weight kgf		Load Capacity (kgf) at Temperature C							Compatible with Rod Sizes						
	mm	in						Min.	Max.	Min.	Max.	350	400	490	530	560	580	600							
FPR-250-0-400	273.0	10.75	14	6	-78	3 1/16	20	158	158	500	2000	30.0	53.4	460	460										M8-M12
FPR-250-1-400	273.0	10.75	18	6	-66	2 5/8	30	158	158	500	2000	30.2	63.2	720	720										M8-M16
FPR-250-2-400	273.0	10.75	18	8	-66	2 5/8	30	158	158	500	2000	30.3	71.4	1060	1060										M8-M16
FPR-250-3-400	273.0	10.75	26	10	-48	-1 7/8	45	158	160	500	2000	30.6	108.5	2020	2020										M8-M24
FPR-250-4-400	273.0	10.75	33	10	-38	-1 1/2	55	158	190	500	2000	30.8	124.9	3160	3160										M8-M30
FPR-250-5-400	273.0	10.75	39	12	-28	-1 1/8	65	168	200	500	2000	35.5	167.0	4560	4560										M12-M36
FPR-250-6-400	273.0	10.75	52	15	-3	-1 1/8	85	188	250	600	2000	53.3	210.5	7300	7300										M20-M48
FPR-250-7-400	273.0	10.75	60	20	12	1/2	100	188	280	600	2000	71.5	281.3	10680	10680										M24-M56
FPR-250-8-400	273.0	10.75	68	25	32	1 1/4	115	208	300	700	2000	118.6	363.5	14800	14800										M36-M64
FPR-250-0-490	273.0	10.75	14	6	-78	3 1/16	20	158	158	500	2000	30.0	53.4	460	460	460	300	180	130	110					M8-M12
FPR-250-1-490	273.0	10.75	18	6	-66	2 5/8	30	158	158	500	2000	30.2	63.2	720	720	720	470	280	200	170					M8-M16
FPR-250-2-490	273.0	10.75	18	8	-66	2 5/8	30	158	158	500	2000	30.3	71.4	1060	1060	1060	690	410	300	250					M8-M16
FPR-250-3-490	273.0	10.75	26	10	-48	-1 7/8	45	158	158	500	2000	30.6	103.0	2020	2020	2020	1310	790	570	480					M8-M24
FPR-250-4-490	273.0	10.75	33	10	-38	-1 1/2	55	158	190	500	2000	30.8	124.9	3160	3160	3160	2050	1230	880	780					M8-M30
FPR-250-5-490	273.0	10.75	39	12	-28	-1 1/8	65	168	200	500	2000	35.5	167.0	4560	4560	4560	2960	1780	1280	1090					M12-M36
FPR-250-6-490	273.0	10.75	52	15	-3	-1 1/8	85	188	250	600	2000	53.3	210.5	7300	7300	7300	4750	2850	2040	1750					M20-M48
FPR-250-7-490	273.0	10.75	60	20	12	1/2	100	188	270	600	2000	71.5	272.9	10680	10680	10680	6940	4170	2990	2560					M24-M56
FPR-250-8-490	273.0	10.75	68	25	32	1 1/4	115	208	300	700	2000	118.6	363.5	14800	14800	14800	9620	5770	4140	3550					M36-M64
FPR-250-0-530	273.0	10.75	14	6	-78	3 1/16	20	158	158	500	2000	30.0	56.7	460	460	460	460	280	200	170					M8-M12
FPR-250-1-530	273.0	10.75	18	6	-66	2 5/8	30	158	158	500	2000	30.2	71.3	720	720	720	720	430	320	260					M8-M16
FPR-250-2-530	273.0	10.75	18	8	-66	2 5/8	30	158	158	500	2000	30.3	79.5	1060	1060	1060	1060	640	470	380					M8-M16
FPR-250-3-530	273.0	10.75	26	10	-48	-1 7/8	45	158	170	500	2000	30.6	113.8	2020	2020	2020	2020	1210	890	730					M8-M24
FPR-250-4-530	273.0	10.75	33	10	-38	-1 1/2	55	158	180	500	2000	30.8	148.6	3160	3160	3160	3160	1900	1390	1140					M8-M30
FPR-250-5-530	273.0	10.75	39	12	-28	-1 1/8	65	168	220	600	2000	45.0	180.8	4560	4560	4560	4560	2740	2010	1640					M12-M36
FPR-250-6-530	273.0	10.75	52	15	-3	-1 1/8	85	188	240	600	2000	67.3	243.5	7300	7300	7300	7300	4380	3210	2630					M20-M48
FPR-250-7-530	273.0	10.75	60	20	12	1/2	100	188	300	600	2000	73.6	298.0	10680	10680	10680	10680	6410	4700	3840					M24-M56
FPR-250-8-530	273.0	10.75	68	25	32	1 1/4	115	208	320	700	2000	121.8	383.2	14800	14800	14800	14800	8880	6510	5330					M36-M64
FPR-250-0-560	273.0	10.75	14	6	-78	3 1/16	20	158	158	500	2000	30.0	67.2	460	460	460	460	460	360	270					M8-M12
FPR-250-1-560	273.0	10.75	18	6	-66	2 5/8	30	158	158	500	2000	30.2	75.4	720	720	720	720	720	560	420					M8-M16
FPR-250-2-560	273.0	10.75	18	8	-66	2 5/8	30	158	158	500	2000	30.3	97.2	1060	1060	1060	1060	1060	830	610					M8-M16
FPR-250-3-560	273.0	10.75	26	10	-48	-1 7/8	45	158	190	500	2000	30.6	124.7	2020	2020	2020	2020	2020	1580	1170					M8-M24
FPR-250-4-560	273.0	10.75	33	10	-38	-1 1/2	55	158	210	500	2000	34.6	169.0	3160	3160	3160	3160	3160	2460	1830					M8-M30
FPR-250-5-560	273.0	10.75	39	12	-28	-1 1/8	65	168	240	600	2000	46.6	194.5	4560	4560	4560	4560	4560	3560	2640					M12-M36
FPR-250-6-560	273.0	10.75	52	15	-3	-1 1/8	85	188	280	600	2000	69.6	279.4	7300	7300	7300	7300	7300	5690	4230					M20-M48
FPR-250-7-560	273.0	10.75	60	20	12	1/2	100	200	300	600	2000	83.9	346.6	10680	10680	10680	10680	10680	8330	6190					M24-M56
FPR-250-8-560	273.0	10.75	68	25	32	1 1/4	115	230	350	700	2000	131.2	412.6	14800	14800	14800	14800	14800	11540	8580					M36-M64
FPR-250-0-600	273.0	10.75	14	6	-78	3 1/16	20	158	158	500	2000	30.0	75.3	460	460	460	460	460	460	460					M8-M12
FPR-250-1-600	273.0	10.75	18	6	-66	2 5/8	30	158	158	500	2000	30.2	102.5	720	720	720	720	720	720	720					M8-M16
FPR-250-2-600	273.0	10.75	18	8	-66	2 5/8	30	158	180	500	2000	30.3	119.0	1060	1060	1060	1060	1060	1060	1060					M8-M16
FPR-250-3-600	273.0	10.75	26	10	-48	-1 7/8	45	158	210	500	2000	34.5	168.8	2020	2020	2020	2020	2020	2020	2020					M8-M24
FPR-250-4-600	273.0	10.75	33	10	-38	-1 1/2	55	158	250	500	2000	41.0	196.3	3160	3160	3160	3160	3160	3160	3160					M8-M30
FPR-250-5-600	273.0	10.75	39	12	-28	-1 1/8	65	168	270	600	2000	62.0	260.2	4560	4560	4560	4560	4560	4560	4560					M12-M36
FPR-250-6-600	273.0	10.75	52	15	-3	-1 1/8	85	188	310	600	2000	94.1	354.2	7300	7300	7300	7300	7300	7300	7300					M20-M48
FPR-250-7-600	273.0	10.75	60	20	12	1/2	100	220	340	600	2000	111.1	441.6	10680	10680	10680	10680	10680	10680	10680					M24-M56
FPR-250-8-600	273.0	10.75	68	25	32	1 1/4	115	260	400	700	2000	169.7	532.9	14800	14800	14800	14800	14800	14800	14800					M36-M64

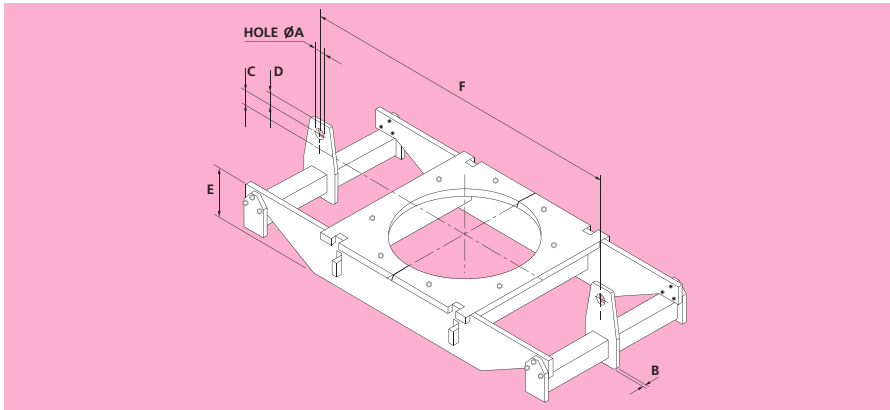
FPR RISER CLAMP FLAT PLATE TYPE



Material: Carbon Steel to 400°C Alloy Steel above 400°C End Beams and Lugs: Carbon Steel. Order by Part No. and Rod Centres "F"

Part Number	Pipe O/D		A	B	C	D	E	F	Weight kgf		Load Capacity (kgf) at Temperature C								Compatible with Rod Sizes							
	mm	in							Min.	Max.	Min.	Max.	350	400	490	530	560	580		600						
FPR-300-1-400	323.9	12.75	18	6	-66	-2 ⁵ / ₈	30	158	158	600	2000	35.8	60.9	720	720										M8-M16	
FPR-300-2-400	323.9	12.75	18	8	-66	-2 ⁵ / ₈	30	158	158	600	2000	35.9	75.8	1060	1060										M8-M16	
FPR-300-3-400	323.9	12.75	26	10	-48	-1 ⁷ / ₈	45	158	158	600	2000	36.3	108.0	2020	2020										M8-M24	
FPR-300-4-400	323.9	12.75	33	10	-38	-1 ¹ / ₂	55	168	190	600	2000	39.8	134.3	3160	3160										M8-M30	
FPR-300-5-400	323.9	12.75	39	12	-28	-1 ¹ / ₈	65	168	200	600	2000	49.3	176.5	4560	4560										M12-M36	
FPR-300-6-400	323.9	12.75	52	15	-3	-1 ¹ / ₈	85	188	250	600	2000	65.8	226.0	7300	7300										M20-M48	
FPR-300-7-400	323.9	12.75	60	20	12	1/2	100	208	280	700	2000	99.4	310.1	10680	10680										M24-M56	
FPR-300-8-400	323.9	12.75	68	25	32	1 ¹ / ₄	115	208	300	700	2000	115.1	381.3	14800	14800										M36-M64	
FPR-300-9-400	323.9	12.75	76	25	11	7/16	130	244	350	700	2000	151.3	444.5	19300	19300										M36-M72	
FPR-300-1-490	323.9	12.75	18	6	-66	-2 ⁵ / ₈	30	158	158	600	2000	35.8	60.9	720	720	720	470	280	200	170					M8-M16	
FPR-300-2-490	323.9	12.75	18	8	-66	-2 ⁵ / ₈	30	158	158	600	2000	35.9	75.8	1060	1060	1060	690	410	300	250					M8-M16	
FPR-300-3-490	323.9	12.75	26	10	-48	-1 ⁷ / ₈	45	158	158	600	2000	36.3	108.0	2020	2020	2020	1310	790	570	480					M8-M24	
FPR-300-4-490	323.9	12.75	33	10	-38	-1 ¹ / ₂	55	168	190	600	2000	39.8	134.3	3160	3160	3160	2050	1230	880	760					M8-M30	
FPR-300-5-490	323.9	12.75	39	12	-28	-1 ¹ / ₈	65	168	200	600	2000	49.3	176.5	4560	4560	4560	2960	1780	1280	1090					M12-M36	
FPR-300-6-490	323.9	12.75	52	15	-3	-1 ¹ / ₈	85	188	250	600	2000	65.8	226.0	7300	7300	7300	4750	2850	2040	1750					M20-M48	
FPR-300-7-490	323.9	12.75	60	20	12	1/2	100	208	270	700	2000	99.4	301.4	10680	10680	10680	6940	4170	2990	2560					M24-M56	
FPR-300-8-490	323.9	12.75	68	25	32	1 ¹ / ₄	115	208	300	700	2000	115.1	381.3	14800	14800	14800	9620	5770	4140	3550					M36-M64	
FPR-300-9-490	323.9	12.75	76	25	11	7/16	130	244	340	700	2000	151.3	434.7	19300	19300	19300	12550	7530	5400	4630					M36-M72	
FPR-300-1-530	323.9	12.75	18	6	-66	-2 ⁵ / ₈	30	158	158	600	2000	35.8	71.7	720	720	720	720	430	320	260					M8-M16	
FPR-300-2-530	323.9	12.75	18	8	-66	-2 ⁵ / ₈	30	158	158	600	2000	35.9	84.1	1060	1060	1060	1060	640	470	380					M8-M16	
FPR-300-3-530	323.9	12.75	26	10	-48	-1 ⁷ / ₈	45	158	170	600	2000	36.3	119.1	2020	2020	2020	2020	1210	890	730					M8-M24	
FPR-300-4-530	323.9	12.75	33	10	-38	-1 ¹ / ₂	55	168	200	600	2000	44.3	139.9	3160	3160	3160	3160	1900	1390	1140					M8-M30	
FPR-300-5-530	323.9	12.75	39	12	-28	-1 ¹ / ₈	65	168	220	600	2000	50.9	196.5	4560	4560	4560	4560	2740	2010	1640					M12-M36	
FPR-300-6-530	323.9	12.75	52	15	-3	-1 ¹ / ₈	85	188	250	700	2000	84.7	268.7	7300	7300	7300	7300	4380	3210	2630					M20-M48	
FPR-300-7-530	323.9	12.75	60	20	12	1/2	100	208	300	700	2000	109.3	332.7	10680	10680	10680	10680	6410	4700	3840					M24-M56	
FPR-300-8-530	323.9	12.75	68	25	32	1 ¹ / ₄	115	208	320	700	2000	136.5	401.3	14800	14800	14800	14800	8880	6510	5330					M36-M64	
FPR-300-9-530	323.9	12.75	76	25	11	7/16	130	244	340	700	2000	157.8	495.6	19300	19300	19300	13000	11580	8490	6950					M36-M72	
FPR-300-1-560	323.9	12.75	18	6	-66	-2 ⁵ / ₈	30	158	158	600	2000	35.8	79.9	720	720	720	720	720	560	420					M8-M16	
FPR-300-2-560	323.9	12.75	18	8	-66	-2 ⁵ / ₈	30	158	158	600	2000	35.9	102.2	1060	1060	1060	1060	1060	830	610					M8-M16	
FPR-300-3-560	323.9	12.75	26	10	-48	-1 ⁷ / ₈	45	158	190	600	2000	36.3	130.1	2020	2020	2020	2020	2020	1580	1170					M8-M24	
FPR-300-4-560	323.9	12.75	33	10	-38	-1 ¹ / ₂	55	168	210	600	2000	48.8	182.9	3160	3160	3160	3160	3160	2460	1830					M8-M30	
FPR-300-5-560	323.9	12.75	39	12	-28	-1 ¹ / ₈	65	168	250	600	2000	58.9	216.4	4560	4560	4560	4560	4560	3560	2640					M12-M36	
FPR-300-6-560	323.9	12.75	52	15	-3	-1 ¹ / ₈	85	188	280	700	2000	94.5	294.2	7300	7300	7300	7300	7300	5690	4230					M20-M48	
FPR-300-7-560	323.9	12.75	60	20	12	1/2	100	208	300	700	2000	130.0	378.2	10680	10680	10680	10680	10680	8330	6190					M24-M56	
FPR-300-8-560	323.9	12.75	68	25	32	1 ¹ / ₄	115	230	330	700	2000	151.3	474.7	14800	14800	14800	14800	14800	11540	8580					M36-M64	
FPR-300-9-560	323.9	12.75	76	25	11	7/16	130	260	370	800	2000	210.3	529.8	19300	19300	19300	19300	19300	15050	11190					M36-M72	
FPR-300-1-600	323.9	12.75	18	6	-66	-2 ⁵ / ₈	30	158	158	600	2000	35.8	107.5	720	720	720	720	720	720							M8-M16
FPR-300-2-600	323.9	12.75	18	8	-66	-2 ⁵ / ₈	30	158	170	600	2000	35.9	118.7	1060	1060	1060	1060	1060	1060	1060						M8-M16
FPR-300-3-600	323.9	12.75	26	10	-48	-1 ⁷ / ₈	45	158	210	600	2000	45.2	178.1	2020	2020	2020	2020	2020	2020	2020						M8-M24
FPR-300-4-600	323.9	12.75	33	10	-38	-1 ¹ / ₂	55	168	230	600	2000	65.8	240.5	3160	3160	3160	3160	3160	3160	3160						M8-M30
FPR-300-5-600	323.9	12.75	39	12	-28	-1 ¹ / ₈	65	168	270	600	2000	73.0	274.6	4560	4560	4560	4560	4560	4560	4560						M12-M36
FPR-300-6-600	323.9	12.75	52	15	-3	-1 ¹ / ₈	85	200	310	700	2000	119.5	371.4	7300	7300	7300	7300	7300	7300	7300						M20-M48
FPR-300-7-600	323.9	12.75	60	20	12	1/2	100	240	350	700	2000	151.5	494.6	10680	10680	10680	10680	10680	10680	10680						M24-M56
FPR-300-8-600	323.9	12.75	68	25	32	1 ¹ / ₄	115	280	400	800	2000	211.0	561.3	14800	14800	14800	14800	14800	14800	14800						M36-M64
FPR-300-9-600	323.9	12.75	76	25	11	7/16	130	290	420	800	2000	251.9	675.6	19300	19300	19300	19300	19300	19300	19300						M36-M72

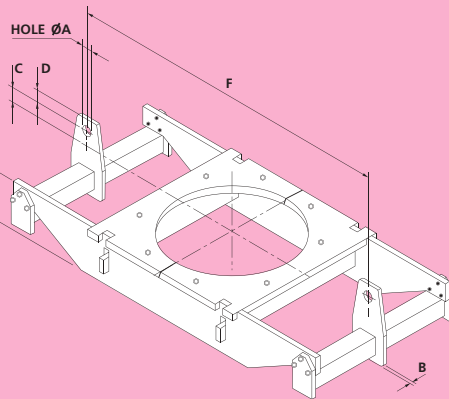
FPR RISER CLAMP FLAT PLATE TYPE



Material: Carbon Steel to 400°C Alloy Steel above 400°C End Beams and Lugs: Carbon Steel. Order by Part No. and Rod Centres "F"

Part Number	Pipe O/D		A	B	C	D	E	F	Weight kgf		Load Capacity (kgf) at Temperature C							Compatible with Rod Sizes		
	mm	in							Min.	Max.	350	400	490	530	560	580	600			
FPR-350-1-400	355.6	14 18 6	-66	-25/8	30	158	158	600	2000	38.5	63.7	720	720							M8-M16
FPR-350-2-400	355.6	14 18 8	-66	-25/8	30	158	158	600	2000	38.6	78.8	1060	1060							M8-M16
FPR-350-3-400	355.6	14 26 10	-48	-17/8	45	158	158	600	2000	39.0	111.3	2020	2020							M8-M24
FPR-350-4-400	355.6	14 33 10	-38	-1 1/2	55	168	190	600	2000	42.7	138.0	3160	3160							M8-M30
FPR-350-5-400	355.6	14 39 12	-28	-1 1/8	65	168	200	700	2000	56.9	181.2	4560	4560							M12-M36
FPR-350-6-400	355.6	14 52 15	-3	-1 1/8	85	188	250	700	2000	84.7	232.1	7300	7300							M20-M48
FPR-350-7-400	355.6	14 60 20	12	1 1/2	100	208	280	700	2000	110.7	323.9	10680	10680							M24-M56
FPR-350-8-400	355.6	14 68 25	32	1 1/4	115	208	300	800	2000	155.6	390.2	14800	14800							M36-M64
FPR-350-9-400	355.6	14 76 25	11	7/16	130	264	340	800	2000	184.9	460.0	19300								M36-M72
FPR-350-10-400	355.6	14 86 30	26	1	140	264	380	800	2000	233.8	581.0	26700	26700							M36-M80
FPR-350-1-490	355.6	14 18 6	-66	-25/8	30	158	158	600	2000	38.5	63.7	720	720	470	290	200	170			M8-M16
FPR-350-2-490	355.6	14 18 8	-66	-25/8	30	158	158	600	2000	38.6	78.8	1060	1060	1060	690	410	300	250		M8-M16
FPR-350-3-490	355.6	14 26 10	-48	-17/8	45	158	158	600	2000	39.0	111.3	2020	2020	2020	1310	790	570	480		M8-M24
FPR-350-4-490	355.6	14 33 10	-38	-1 1/2	55	168	180	600	2000	42.7	132.5	3160	3160	3160	2050	1230	880	760		M8-M30
FPR-350-5-490	355.6	14 39 12	-28	-1 1/8	65	168	200	700	2000	56.9	181.2	4560	4560	4560	2980	1780	1280	1090		M12-M36
FPR-350-6-490	355.6	14 52 15	-3	-1 1/8	85	188	250	700	2000	84.7	232.1	7300	7300	7300	4750	2850	2040	1750		M20-M48
FPR-350-7-490	355.6	14 60 20	12	1 1/2	100	208	280	700	2000	110.7	323.9	10680	10680	10680	6940	4170	2990	2560		M24-M56
FPR-350-8-490	355.6	14 68 25	32	1 1/4	115	208	300	800	2000	149.5	390.2	14800	14800	14800	9620	5770	4140	3550		M36-M64
FPR-350-9-490	355.6	14 76 25	11	7/16	130	264	340	800	2000	184.9	460.0	19300								M36-M72
FPR-350-10-490	355.6	14 86 30	26	1	140	264	380	800	2000	229.5	581.0	26700	26700	26700	17360	10410	7480	6410		M36-M80
FPR-350-1-530	355.6	14 18 6	-66	-25/8	30	158	158	600	2000	38.5	74.6	720	720	720	490	320	260			M8-M16
FPR-350-2-530	355.6	14 18 8	-66	-25/8	30	158	158	600	2000	38.6	83.0	1060	1060	1060	1060	640	470	380		M8-M16
FPR-350-3-530	355.6	14 26 10	-48	-17/8	45	158	160	600	2000	39.0	117.0	2020	2020	2020	2020	1210	890	730		M8-M24
FPR-350-4-530	355.6	14 33 10	-38	-1 1/2	55	168	200	700	2000	54.6	147.1	3160	3160	3160	3160	1900	1390	1140		M8-M30
FPR-350-5-530	355.6	14 39 12	-28	-1 1/8	65	168	220	700	2000	66.1	201.4	4560	4560	4560	4560	2740	2010	1640		M12-M36
FPR-350-6-530	355.6	14 52 15	-3	-1 1/8	85	188	250	700	2000	87.1	275.3	7300	7300	7300	7300	4380	3210	2630		M20-M48
FPR-350-7-530	355.6	14 60 20	12	1 1/2	100	208	300	700	2000	116.0	341.2	10680	10680	10680	10680	6410	4700	3840		M24-M56
FPR-350-8-530	355.6	14 68 25	32	1 1/4	115	220	320	800	2000	162.8	416.9	14800	14800	14800	14800	8880	6510	5330		M36-M64
FPR-350-9-530	355.6	14 76 25	11	7/16	130	264	340	800	2000	198.4	523.3	19300	19300	19300	19300	11580	8490	6950		M36-M72
FPR-350-10-530	355.6	14 86 30	26	1	140	270	400	800	2000	249.2	604.4	26700	26700	26700	26700	16020	11750	9610		M36-M80
FPR-350-1-560	355.6	14 18 6	-66	-25/8	30	158	158	600	2000	38.5	82.9	720	720	720	720	720	560	420		M8-M16
FPR-350-2-560	355.6	14 18 8	-66	-25/8	30	158	158	600	2000	38.6	105.5	1060	1060	1060	1060	1060	830	610		M8-M16
FPR-350-3-560	355.6	14 26 10	-48	-17/8	45	158	190	600	2000	43.6	133.6	2020	2020	2020	2020	2020	1580	1170		M8-M24
FPR-350-4-560	355.6	14 33 10	-38	-1 1/2	55	168	200	700	2000	63.8	180.8	3160	3160	3160	3160	3160	2460	1830		M8-M30
FPR-350-5-560	355.6	14 39 12	-28	-1 1/8	65	168	250	700	2000	76.7	222.3	4560	4560	4560	4560	4560	3560	2640		M12-M36
FPR-350-6-560	355.6	14 52 15	-3	-1 1/8	85	188	280	700	2000	100.7	307.6	7300	7300	7300	7300	7300	5690	4230		M20-M48
FPR-350-7-560	355.6	14 60 20	12	1 1/2	100	210	300	800	2000	155.9	387.1	10680	10680	10680	10680	10680	8330	6190		M24-M56
FPR-350-8-560	355.6	14 68 25	32	1 1/4	115	250	350	800	2000	179.6	447.0	14800	14800	14800	14800	14800	11540	8580		M36-M64
FPR-350-9-560	355.6	14 76 25	11	7/16	130	264	370	800	2000	229.7	565.0	19300	19300	19300	19300	19300	15190			M36-M72
FPR-350-10-560	355.6	14 86 30	26	1	140	300	400	800	2000	269.2	687.6	26700	26700	26700	26700	26700	20830	15490		M36-M80
FPR-350-1-600	355.6	14 18 6	-66	-25/8	30	158	158	600	2000	38.5	105.4	720	720	720	720	720	720	720		M8-M16
FPR-350-2-600	355.6	14 18 8	-66	-25/8	30	158	170	600	2000	38.6	126.2	1060	1060	1060	1060	1060	1060	1060		M8-M16
FPR-350-3-600	355.6	14 26 10	-48	-17/8	45	158	200	600	2000	57.5	175.8	2020	2020	2020	2020	2020	2020	2020		M8-M24
FPR-350-4-600	355.6	14 33 10	-38	-1 1/2	55	168	230	700	2000	78.7	246.8	3160	3160	3160	3160	3160	3160	3160		M8-M30
FPR-350-5-600	355.6	14 39 12	-28	-1 1/8	65	180	280	700	2000	92.5	296.4	4560	4560	4560	4560	4560	4560	4560		M12-M36
FPR-350-6-600	355.6	14 52 15	-3	-1 1/8	85	200	310	700	2000	132.3	386.5	7300	7300	7300	7300	7300	7300	7300		M20-M48
FPR-350-7-600	355.6	14 60 20	12	1 1/2	100	240	340	800	2000	200.6	494.1	10680	10680	10680	10680	10680	10680	10680		M24-M56
FPR-350-8-600	355.6	14 68 25	32	1 1/4	115	280	370	800	2000	227.7	605.5	14800	14800	14800	14800	14800	14800	14800		M36-M64
FPR-350-9-600	355.6	14 76 25	11	7/16	130	290	420	800	2000	284.7	710.0	19300	19300	19300	19300	19300	19300	19300		M36-M72
FPR-350-10-600	355.6	14 86 30	26	1	140	330	460	800	2000	316.2	847.1	26700	26700	26700	26700	26700	26700	26700		M36-M80

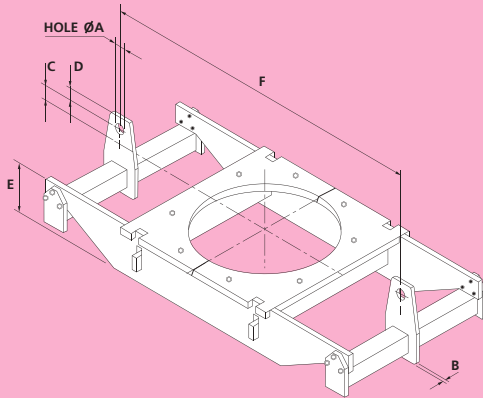
FPR RISER CLAMP FLAT PLATE TYPE



Material: Carbon Steel to 400°C Alloy Steel above 400°C End Beams and Lugs: Carbon Steel. Order by Part No. and Rod Centres "F"

Part Number	Pipe O/D		A		B		C		D		E		F		Weight kgf		Load Capacity (kgf) at Temperature C						Compatible with Rod Sizes		
	mm	in	mm	mm	mm	mm	in	mm	mm	Min.	Max.	Min.	Max.	Min.	Max.	350	400	490	530	560	580	600			
FPR-400-1-400	406.4	16	18	6	-66	-25/8	30	158	158	700	2500	44.7	90.2	720	720									M8-M16	
FPR-400-2-400	406.4	16	18	8	-66	-25/8	30	158	158	700	2500	44.9	105.5	1060	1060									M8-M16	
FPR-400-3-400	406.4	16	26	10	-48	-17/8	45	158	170	700	2500	45.2	148.2	2020	2020									M8-M24	
FPR-400-4-400	406.4	16	33	10	-38	-11/2	55	168	190	700	2500	54.9	209.3	3160	3160									M8-M30	
FPR-400-5-400	406.4	16	39	12	-28	-11/8	65	188	230	700	2500	78.1	260.4	4560	4560									M12-M36	
FPR-400-6-400	406.4	16	52	15	-3	-1/8	85	188	260	800	2500	99.2	341.1	7300	7300									M20-M48	
FPR-400-7-400	406.4	16	60	20	12	1/2	100	208	290	800	2500	128.6	451.0	10680	10680									M24-M56	
FPR-400-8-400	406.4	16	68	25	32	11/4	115	208	340	800	2500	165.2	523.9	14800	14800									M36-M64	
FPR-400-9-400	406.4	16	76	25	11	7/16	130	264	370	900	2500	217.7	672.8	19300	19300									M36-M72	
FPR-400-10-400	406.4	16	86	30	26	1	140	294	410	900	2500	296.6	865.2	26700	26700									M36-M80	
FPR-400-11-400	406.4	16	86	35	-10	-3/8	140	330	450	900	2500	337.7	1043.3	36000	36000									M36-M80	
FPR-400-1-490	406.4	16	18	6	-66	-25/8	30	158	158	700	2500	44.7	90.2	720	720	720	470	280	200	170				M8-M16	
FPR-400-2-490	406.4	16	18	8	-66	-25/8	30	158	158	700	2500	44.9	105.5	1060	1060	1060	690	410	300	250				M8-M16	
FPR-400-3-490	406.4	16	26	10	-48	-17/8	45	158	170	700	2500	45.2	148.2	2020	2020	2020	1310	790	570	480				M8-M24	
FPR-400-4-490	406.4	16	33	10	-38	-11/2	55	168	190	700	2500	54.9	209.3	3160	3160	3160	2050	1230	880	760				M8-M30	
FPR-400-5-490	406.4	16	39	12	-28	-11/8	65	188	230	700	2500	78.1	260.4	4560	4560	4560	2960	1780	1280	1090				M12-M36	
FPR-400-6-490	406.4	16	52	15	-3	-1/8	85	188	260	800	2500	99.2	341.1	7300	7300	7300	4750	2850	2040	1750				M20-M48	
FPR-400-7-490	406.4	16	60	20	12	1/2	100	208	290	800	2500	128.6	451.0	10680	10680	10680	6940	4170	2990	2560				M24-M56	
FPR-400-8-490	406.4	16	68	25	32	11/4	115	208	340	800	2500	165.2	523.9	14800	14800	14800	9620	5770	4140	3550				M36-M64	
FPR-400-9-490	406.4	16	76	25	11	7/16	130	264	360	900	2500	217.7	658.8	19300	19300	19300	12550	7530	5400	4630				M36-M72	
FPR-400-10-490	406.4	16	86	30	26	1	140	294	400	900	2500	296.6	850.3	26700	26700	26700	17360	10410	7480	6410				M36-M80	
FPR-400-11-490	406.4	16	86	35	-10	-3/8	140	330	440	900	2500	337.7	1025.8	36000	36000	36000	23400	14040	10080	8640				M36-M80	
FPR-400-1-530	406.4	16	18	6	-66	-25/8	30	158	158	700	2500	44.7	100.4	720	720	720	720	430	320	260				M8-M16	
FPR-400-2-530	406.4	16	18	8	-66	-25/8	30	158	158	700	2500	44.9	127.4	1060	1060	1060	1060	640	470	380				M8-M16	
FPR-400-3-530	406.4	16	26	10	-48	-17/8	45	158	180	700	2500	50.9	155.2	2020	2020	2020	1210	890	730					M8-M24	
FPR-400-4-530	406.4	16	33	10	-38	-11/2	55	168	200	700	2500	60.7	218.1	3160	3160	3160	1900	1390	1140					M8-M30	
FPR-400-5-530	406.4	16	39	12	-28	-11/8	65	188	250	700	2500	80.0	277.8	4560	4560	4560	4560	2740	2010	1640				M12-M36	
FPR-400-6-530	406.4	16	52	15	-3	-1/8	85	188	280	800	2500	112.1	370.0	7300	7300	7300	4380	3210	2630					M20-M48	
FPR-400-7-530	406.4	16	60	20	12	1/2	100	208	310	800	2500	141.6	483.6	10680	10680	10680	10680	6410	4700	3840				M24-M56	
FPR-400-8-530	406.4	16	68	25	32	11/4	115	210	340	800	2500	180.3	595.3	14800	14800	14800	14800	8880	6510	5330				M36-M64	
FPR-400-9-530	406.4	16	76	25	11	7/16	130	264	380	900	2500	250.5	687.2	19300	19300	19300	19300	11580	8490	6950				M36-M72	
FPR-400-10-530	406.4	16	86	30	26	1	140	294	430	900	2500	314.7	882.7	26700	26700	26700	26700	16020	11750	9610				M36-M80	
FPR-400-11-530	406.4	16	86	35	-10	-3/8	140	330	460	900	2500	375.9	1064.7	36000	36000	36000	36000	21600	15940	12860				M36-M80	
FPR-400-1-560	406.4	16	18	6	-66	-25/8	30	158	158	700	2500	44.7	105.4	720	720	720	720	430	320	260				M8-M16	
FPR-400-2-560	406.4	16	18	8	-66	-25/8	30	158	160	700	2500	44.9	141.1	1060	1060	1060	1060	830	610					M8-M16	
FPR-400-3-560	406.4	16	26	10	-48	-17/8	45	158	190	700	2500	54.6	204.1	2020	2020	2020	1210	890	730					M8-M24	
FPR-400-4-560	406.4	16	33	10	-38	-11/2	55	168	230	700	2500	71.6	251.4	3160	3160	3160	2160	1580	1170					M8-M30	
FPR-400-5-560	406.4	16	39	12	-28	-11/8	65	188	250	700	2500	91.7	329.0	4560	4560	4560	4560	3560	2640					M12-M36	
FPR-400-6-560	406.4	16	52	15	-3	-1/8	85	190	280	800	2500	119.5	421.5	7300	7300	7300	4700	3590	2960					M20-M48	
FPR-400-7-560	406.4	16	60	20	12	1/2	100	208	340	800	2500	165.9	520.8	10680	10680	10680	10680	10680	8330	6190				M24-M56	
FPR-400-8-560	406.4	16	68	25	32	11/4	115	240	370	800	2500	191.6	646.0	14800	14800	14800	14800	11540	8580					M36-M64	
FPR-400-9-560	406.4	16	76	25	11	7/16	130	270	390	900	2500	273.2	797.3	19300	19300	19300	19300	19300	15050	11190				M36-M72	
FPR-400-10-560	406.4	16	86	30	26	1	140	294	430	900	2500	346.8	990.5	26700	26700	26700	26700	26700	20330	15490				M36-M80	
FPR-400-11-560	406.4	16	86	35	-10	-3/8	140	340	490	900	2500	413.7	1124.9	36000	36000	36000	36000	36000	20880	15360				M36-M80	
FPR-400-1-600	406.4	16	18	6	-66	-25/8	30	158	160	700	2500	44.7	141.0	720	720	720	720	430	320	260					M8-M16
FPR-400-2-600	406.4	16	18	8	-66	-25/8	30	158	190	700	2500	50.5	161.5	1060	1060	1060	1060	1060	1060					M8-M16	
FPR-400-3-600	406.4	16	26	10	-48	-17/8	45	158	230	700	2500	69.3	246.1	2020	2020	2020	1210	890	730					M8-M24	
FPR-400-4-600	406.4	16	33	10	-38	-11/2	55	168	260	700	2500	96.7	329.1	3160	3160	3160	3160	3160	3160					M8-M30	
FPR-400-5-600	406.4	16	39	12	-28	-11/8	65	188	280	700	2500	109.5	420.1	4560	4560	4560	4560	4560	4560					M12-M36	
FPR-400-6-600	406.4	16	52	15	-3	-1/8	85	210	350	800	2500	162.1	514.9	7300	7300	7300	7300	7300	7300					M20-M48	
FPR-400-7-600	406.4	16	60	20	12	1/2	100	250	390	800	2500	199.6	671.1	10680	10680	10680	10680	10680	10680					M24-M56	
FPR-400-8-600	406.4	16	68	25	32	11/4	115	290	420	800	2500	268.6	815.3	14800	14800	14800	14800	14800	14800					M36-M64	
FPR-400-9-600	406.4	16	76	25	11	7/16	130	310	440	800	2500	337.9	970.8	19300	19300	19300	19300	19300	19300					M36-M72	
FPR-400-10-600	406.4	16	86	30	26	1	140	330	450	800	2500	442.1	1295.8	26700	26700	26700	26700	26700	26700					M36-M80	
FPR-400-11-600	406.4	16	86	35	-10	-3/8	140	390	530	900	2500	514.9	1454.7	36000	36000	36000	36000	36000	36000					M36-M80	

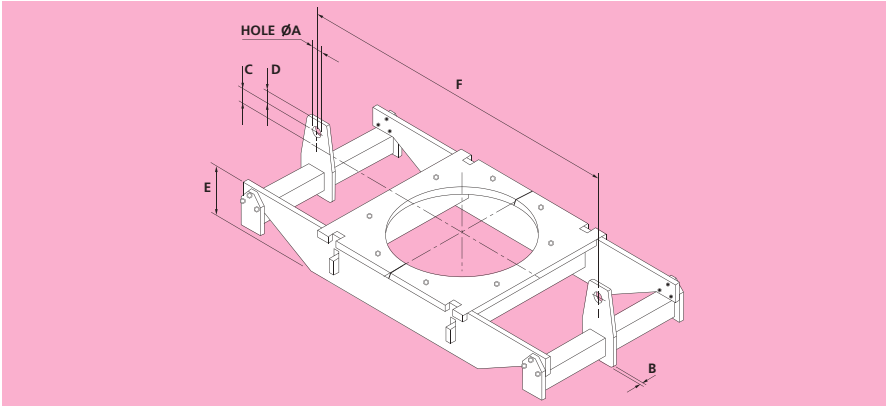
FPR RISER CLAMP FLAT PLATE TYPE



Material: Carbon Steel to 400°C Alloy Steel above 400°C End Beams and Lugs: Carbon Steel. Order by Part No. and Rod Centres "F"

Part Number	Pipe O/D		A	B	C	D	E	F	Weight kgf		Load Capacity (kgf) at Temperature C							Compatible with Rod Sizes					
	mm	in							mm	mm	mm	mm	Min.	Max.	350	400	490		530	580	600		
FPR-450-2-400	457.2	18 1/8	8	-66	-2 5/8	30	158	158	700	2500	50.1	106.2	1060	1060							M8-M16		
FPR-450-3-400	457.2	18 26/32	10	-48	-1 7/8	45	158	170	700	2500	50.5	154.6	2020	2020							M8-M24		
FPR-450-4-400	457.2	18 33/32	10	-38	-1 1/2	55	168	190	800	2500	69.8	217.9	3160	3160							M8-M30		
FPR-450-5-400	457.2	18 39/32	12	-28	-1 1/8	65	188	230	800	2500	89.7	271.5	4560	4560							M12-M36		
FPR-450-6-400	457.2	18 52/32	15	-3	-1 1/8	85	188	260	800	2500	120.8	363.3	7300	7300							M20-M48		
FPR-450-7-400	457.2	18 60/32	20	12	1/2	100	208	290	900	2500	160.6	476.8	10680	10680							M24-M56		
FPR-450-8-400	457.2	18 68/32	25	32	1 1/4	115	210	340	900	2500	203.4	542.5	14800	14800							M36-M64		
FPR-450-9-400	457.2	18 76/32	25	11	7/16	130	264	360	900	2500	231.2	661.3	19300	19300							M36-M72		
FPR-450-10-400	457.2	18 86/32	30	26	1	140	294	400	1000	2500	348.2	877.6	26700	26700							M36-M80		
FPR-450-11-400	457.2	18 86/32	35	-10	-3/8	140	330	450	1000	2500	420.3	1093.9	38000	38000							M36-M80		
FPR-450-12-400	457.2	18 86/32	40	-10	-3/8	140	340	470	1000	2500	479.2	1387.2	46050	46050							M36-M80		
FPR-450-2-490	457.2	18 18/32	8	-66	-2 5/8	30	158	158	700	2500	53.1	106.2	1060	1060	1060	690	410	300	250			M8-M16	
FPR-450-3-490	457.2	18 26/32	10	-48	-1 7/8	45	158	170	700	2500	50.5	154.6	2020	2020	2020	1310	790	570	480			M8-M24	
FPR-450-4-490	457.2	18 33/32	10	-38	-1 1/2	55	168	190	800	2500	69.8	217.9	3160	3160	3160	2050	1230	880	760			M8-M30	
FPR-450-5-490	457.2	18 39/32	12	-28	-1 1/8	65	188	220	800	2500	89.7	262.9	4560	4560	4560	2960	1780	1280	1090			M12-M36	
FPR-450-6-490	457.2	18 52/32	15	-3	-1 1/8	85	188	260	800	2500	120.8	363.3	7300	7300	7300	4750	2850	2040	1750			M20-M48	
FPR-450-7-490	457.2	18 60/32	20	12	1/2	100	208	290	900	2500	160.6	476.8	10680	10680	10680	6940	4170	2990	2560			M24-M56	
FPR-450-8-490	457.2	18 68/32	25	32	1 1/4	115	210	330	900	2500	190.1	529.8	14800	14800	14800	9620	5770	4140	3550			M36-M64	
FPR-450-9-490	457.2	18 76/32	25	11	7/16	130	264	360	900	2500	231.2	661.3	19300	19300	19300	12550	7530	5400	4630			M36-M72	
FPR-450-10-490	457.2	18 86/32	30	26	1	140	294	400	1000	2500	332.6	877.6	26700	26700	26700	17360	10410	7480	6410			M36-M80	
FPR-450-11-490	457.2	18 86/32	35	-10	-3/8	140	330	440	1000	2500	420.3	1076.0	36000	36000	36000	29400	14040	10080	8640			M36-M80	
FPR-450-12-490	457.2	18 86/32	40	-10	-3/8	140	340	460	1000	2500	479.2	1222.3	46050	46050	46050	32400	16080	11640	10080			M36-M80	
FPR-450-2-530	457.2	18 18/32	8	-66	-2 5/8	30	158	158	700	2500	50.1	106.2	1060	1060	1060	1060	1060	640	470	380			M8-M16
FPR-450-3-530	457.2	18 26/32	10	-48	-1 7/8	45	158	180	700	2500	57.2	167.0	2020	2020	2020	2020	1210	890	730			M8-M24	
FPR-450-4-530	457.2	18 33/32	10	-38	-1 1/2	55	168	210	800	2500	80.6	244.7	3160	3160	3160	3160	1900	1390	1140			M8-M30	
FPR-450-5-530	457.2	18 39/32	12	-28	-1 1/8	65	188	240	800	2500	101.4	280.5	4560	4560	4560	4560	2740	2010	1640			M12-M36	
FPR-450-6-530	457.2	18 52/32	15	-3	-1 1/8	85	188	280	800	2500	123.7	384.5	7300	7300	7300	7300	4380	3210	2630			M20-M48	
FPR-450-7-530	457.2	18 60/32	20	12	1/2	100	208	310	900	2500	182.7	511.8	10680	10680	10680	10680	6410	4700	3840			M24-M56	
FPR-450-8-530	457.2	18 68/32	25	32	1 1/4	115	220	340	900	2500	207.7	625.6	14800	14800	14800	14800	8880	6510	5330			M36-M64	
FPR-450-9-530	457.2	18 76/32	25	11	7/16	130	264	380	900	2500	248.9	720.5	19300	19300	19300	19300	11580	8490	6950			M36-M72	
FPR-450-10-530	457.2	18 86/32	30	26	1	140	294	420	1000	2500	353.5	921.7	26700	26700	26700	26700	16020	11750	9610			M36-M80	
FPR-450-11-530	457.2	18 86/32	35	-10	-3/8	140	330	460	1000	2500	426.6	1112.2	38000	38000	38000	38000	21600	15340	12360			M36-M80	
FPR-450-12-530	457.2	18 86/32	40	-10	-3/8	140	340	480	1000	2500	533.4	1409.8	46050	46050	46050	46050	26280	20280	16580			M36-M80	
FPR-450-2-560	457.2	18 18/32	8	-66	-2 5/8	30	158	158	700	2500	50.1	106.2	1060	1060	1060	1060	1060	630	610			M8-M16	
FPR-450-3-560	457.2	18 26/32	10	-48	-1 7/8	45	158	180	800	2500	65.4	203.9	2020	2020	2020	2020	2020	1580	1170			M8-M24	
FPR-450-4-560	457.2	18 33/32	10	-38	-1 1/2	55	168	230	800	2500	84.9	262.2	3160	3160	3160	3160	3160	2460	1830			M8-M30	
FPR-450-5-560	457.2	18 39/32	12	-28	-1 1/8	65	188	240	800	2500	119.4	330.8	4560	4560	4560	4560	4560	2640	2140			M12-M36	
FPR-450-6-560	457.2	18 52/32	15	-3	-1 1/8	85	200	280	800	2500	141.7	436.6	7300	7300	7300	7300	7300	5690	4230			M20-M48	
FPR-450-7-560	457.2	18 60/32	20	12	1/2	100	220	340	900	2500	204.6	538.4	10680	10680	10680	10680	8330	6190				M24-M56	
FPR-450-8-560	457.2	18 68/32	25	32	1 1/4	115	250	360	900	2500	229.4	654.2	14800	14800	14800	14800	14800	11540	8580			M36-M64	
FPR-450-9-560	457.2	18 76/32	25	11	7/16	130	264	390	900	2500	299.2	823.8	19300	19300	19300	19300	19300	15050	11190			M36-M72	
FPR-450-10-560	457.2	18 86/32	30	26	1	140	300	450	1000	2500	399.8	970.6	26700	26700	26700	26700	26700	20830	15490			M36-M80	
FPR-450-11-560	457.2	18 86/32	35	-10	-3/8	140	350	500	1000	2500	472.3	1208.2	36000	36000	36000	36000	36000	20880	20880			M36-M80	
FPR-450-12-560	457.2	18 86/32	40	-10	-3/8	140	370	500	1000	2500	576.4	1454.1	46050	46050	46050	46050	46050	35920	26710			M36-M80	
FPR-450-2-600	457.2	18 18/32	8	-66	-2 5/8	30	158	190	700	2500	56.9	173.4	1060	1060	1060	1060	1060	1060	1060			M8-M16	
FPR-450-3-600	457.2	18 26/32	10	-48	-1 7/8	45	158	230	800	2500	80.5	256.6	2020	2020	2020	2020	2020	2020				M8-M24	
FPR-450-4-600	457.2	18 33/32	10	-38	-1 1/2	55	168	260	800	2500	117.3	351.1	3160	3160	3160	3160	3160	3160	3160			M8-M30	
FPR-450-5-600	457.2	18 39/32	12	-28	-1 1/8	65	200	300	800	2500	140.3	404.2	4560	4560	4560	4560	4560	4560	4560			M12-M36	
FPR-450-6-600	457.2	18 52/32	15	-3	-1 1/8	85	220	350	800	2500	182.4	542.8	7300	7300	7300	7300	7300	7300	7300			M20-M48	
FPR-450-7-600	457.2	18 60/32	20	12	1/2	100	240	390	900	2500	253.5	704.1	10680	10680	10680	10680	10680	10680	10680			M24-M56	
FPR-450-8-600	457.2	18 68/32	25	32	1 1/4	115	290	420	900	2500	286.5	853.2	14800	14800	14800	14800	14800	14800	14800			M36-M64	
FPR-450-9-600	457.2	18 76/32	25	11	7/16	130	320	440	1000	2500	352.7	1012.6	19300	19300	19300	19300	19300	19300	19300			M36-M72	
FPR-450-10-600	457.2	18 86/32	30	26	1	140	340	450	1000	2500	497.5	1289.7	26700	26700	26700	26700	26700	26700	26700			M36-M80	
FPR-450-11-600	457.2	18 86/32	35	-10	-3/8	140	400	520	1000	2500	585.6	1483.6	36000	36000	36000	36000	36000	36000	36000			M36-M80	
FPR-450-12-600	457.2	18 86/32	40	-10	-3/8	140	420	580	1000	2500	704.7	1878.8	46050	46050	46050	46050	46050	46050	46050			M36-M80	

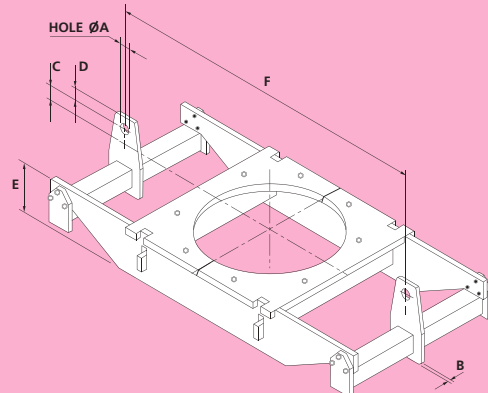
FPR RISER CLAMP FLAT PLATE TYPE



Material: Carbon Steel to 400°C Alloy Steel above 400°C End Beams and Lugs: Carbon Steel. Order by Part No. and Rod Centres "F"

Part Number	Pipe O/D		A		B		C		D		E		F		Weight kgf		Load Capacity (kgf) at Temperature C						Compatible with Rod Sizes	
	mm	in	mm	in	mm	in	mm	in	mm	in	Min.	Max.	Min.	Max.	350	400	490	530	560	580	600			
FPR-500-2-400	508	20	18	8	-46	-2 ³ / ₈	30	158	158	800	2500	57.4	112.4	1060	1060								M8-M16	
FPR-500-3-400	508	20	26	10	-48	-1 ⁷ / ₈	45	168	168	800	2500	62.2	159.5	2020	2020								M8-M24	
FPR-500-4-400	508	20	33	10	-38	-1 ¹ / ₂	55	168	200	800	2500	77.3	194.4	3160	3160								M8-M30	
FPR-500-5-400	508	20	39	12	-28	-1 ¹ / ₈	65	188	220	900	2500	104.4	274.6	4560	4560								M12-M36	
FPR-500-6-400	508	20	52	15	-3	-3 ¹ / ₈	85	208	260	900	2500	149.3	394.2	7300	7300								M20-M48	
FPR-500-7-400	508	20	60	20	12	-1 ¹ / ₂	100	208	320	900	2500	176.0	496.8	10680	10680								M24-M56	
FPR-500-8-400	508	20	68	25	32	-1 ¹ / ₄	115	228	340	1000	2500	244.9	589.5	14800	14800								M36-M64	
FPR-500-9-400	508	20	76	25	11	-7 ¹ / ₁₆	130	244	360	1000	2500	277.2	717.3	19300	19300								M36-M72	
FPR-500-10-400	508	20	86	30	26	-1	140	294	400	1000	2500	367.6	919.5	26700	26700								M36-M80	
FPR-500-11-400	508	20	86	35	-10	-3 ¹ / ₈	140	330	440	1100	2500	468.6	1111.4	36000	36000								M36-M80	
FPR-500-12-400	508	20	86	40	-10	-3 ¹ / ₈	140	350	500	1100	2500	534.6	1264.1	46050	46050								M36-M80	
FPR-500-13-400	508	20	86	40	-46	-1 ¹³ / ₁₆	140	396	520	1100	2500	674.5	1634.4	56250	56250								M36-M80	
FPR-500-2-490	508	20	18	8	-46	-2 ³ / ₈	30	158	158	800	2500	57.4	112.4	1060	1060	1060	690	410	300	250			M8-M16	
FPR-500-3-490	508	20	26	10	-48	-1 ⁷ / ₈	45	168	168	800	2500	62.2	159.5	2020	2020	2020	1310	730	570	480			M8-M24	
FPR-500-4-490	508	20	33	10	-38	-1 ¹ / ₂	55	168	200	800	2500	77.3	194.4	3160	3160	3160	2050	1290	880	760			M8-M30	
FPR-500-5-490	508	20	39	12	-28	-1 ¹ / ₈	65	188	220	900	2500	104.4	274.6	4560	4560	4560	2960	1780	1280	1090			M12-M36	
FPR-500-6-490	508	20	52	15	-3	-3 ¹ / ₈	85	208	260	900	2500	149.3	394.2	7300	7300	7300	4750	2850	2040	1750			M20-M48	
FPR-500-7-490	508	20	60	20	12	-1 ¹ / ₂	100	208	320	900	2500	176.0	496.8	10680	10680	10680	6940	4170	2990	2560			M24-M56	
FPR-500-8-490	508	20	68	25	32	-1 ¹ / ₄	115	228	340	1000	2500	244.9	589.5	14800	14800	14800	9620	5770	4140	3550			M36-M64	
FPR-500-9-490	508	20	76	25	11	-7 ¹ / ₁₆	130	244	360	1000	2500	277.2	717.3	19300	19300	19300	12550	7530	5400	4630			M36-M72	
FPR-500-10-490	508	20	86	30	26	-1	140	294	400	1000	2500	367.6	919.5	26700	26700	26700	23400	13400	10410	7480			6410 M36-M80	
FPR-500-11-490	508	20	86	35	-10	-3 ¹ / ₈	140	330	440	1000	2500	417.9	1111.4	36000	36000	36000	27000	17600	14040	10080	8400			M36-M80
FPR-500-12-490	508	20	86	40	-10	-3 ¹ / ₈	140	350	500	1100	2500	534.6	1264.1	46050	46050	46050	29930	17960	12890	11050			M36-M80	
FPR-500-13-490	508	20	86	40	-46	-1 ¹³ / ₁₆	140	396	500	1100	2500	674.5	1560.6	56250	56250	56250	36560	21940	15750	13500			M36-M80	
FPR-500-2-530	508	20	18	8	-46	-2 ³ / ₈	30	158	158	800	2500	57.4	133.0	1060	1060	1060	1060	640	470	380			M8-M16	
FPR-500-3-530	508	20	26	10	-48	-1 ⁷ / ₈	45	168	180	800	2500	70.3	180.1	2020	2020	2020	2020	1210	890	730			M8-M24	
FPR-500-4-530	508	20	33	10	-38	-1 ¹ / ₂	55	168	200	800	2500	92.4	247.3	3160	3160	3160	3160	1900	1390	1140			M8-M30	
FPR-500-5-530	508	20	39	12	-28	-1 ¹ / ₈	65	188	240	900	2500	118.2	292.3	4560	4560	4560	4560	2740	2010	1640			M12-M36	
FPR-500-6-530	508	20	52	15	-3	-3 ¹ / ₈	85	208	270	900	2500	156.0	404.8	7300	7300	7300	7300	4380	3210	2630			M20-M48	
FPR-500-7-530	508	20	60	20	12	-1 ¹ / ₂	100	208	300	900	2500	198.6	508.7	10680	10680	10680	10680	6410	4700	3840			M24-M56	
FPR-500-8-530	508	20	68	25	32	-1 ¹ / ₄	115	230	330	1000	2500	249.3	656.5	14800	14800	14800	14800	8880	6510	5330			M36-M72	
FPR-500-9-530	508	20	76	25	11	-7 ¹ / ₁₆	130	264	380	1000	2500	309.8	746.4	19300	19300	19300	19300	11580	8490	6950			M36-M80	
FPR-500-10-530	508	20	86	30	26	-1	140	294	420	1000	2500	380.9	952.7	26700	26700	26700	26700	16020	11750	9610			M36-M80	
FPR-500-11-530	508	20	86	35	-10	-3 ¹ / ₈	140	340	470	1100	2500	513.8	1193.2	36000	36000	36000	36000	21600	15840	12960			M36-M80	
FPR-500-12-530	508	20	86	40	-10	-3 ¹ / ₈	140	350	470	1100	2500	592.9	1432.2	46050	46050	46050	27630	20260	16580				M36-M80	
FPR-500-13-530	508	20	86	40	-46	-1 ¹³ / ₁₆	140	396	520	1100	2500	691.1	1755.4	56250	56250	56250	36730	24750	20250				M36-M80	
FPR-500-2-560	508	20	18	8	-46	-2 ³ / ₈	30	158	158	800	2500	57.4	147.1	1060	1060	1060	1060	680	510				M8-M16	
FPR-500-3-560	508	20	26	10	-48	-1 ⁷ / ₈	45	168	200	800	2500	89.8	194.2	2020	2020	2020	2020	1210	880	730			M8-M24	
FPR-500-4-560	508	20	33	10	-38	-1 ¹ / ₂	55	168	230	900	2500	106.8	273.6	3160	3160	3160	3160	1660	1160	2460			M8-M30	
FPR-500-5-560	508	20	39	12	-28	-1 ¹ / ₈	65	188	240	900	2500	135.6	356.6	4560	4560	4560	4560	2560	1640	1310			M12-M36	
FPR-500-6-560	508	20	52	15	-3	-3 ¹ / ₈	85	208	280	900	2500	173.6	481.0	7300	7300	7300	7300	7300	5690	4230			M20-M48	
FPR-500-7-560	508	20	60	20	12	-1 ¹ / ₂	100	220	340	900	2500	222.8	571.1	10680	10680	10680	10680	6830	6190				M24-M56	
FPR-500-8-560	508	20	68	25	32	-1 ¹ / ₄	115	240	390	1000	2500	300.9	707.0	14800	14800	14800	14800	11540	8590				M36-M64	
FPR-500-9-560	508	20	76	25	11	-7 ¹ / ₁₆	130	270	390	1000	2500	338.1	835.3	19300	19300	19300	19300	13300	15250	11190			M36-M72	
FPR-500-10-560	508	20	86	30	26	-1	140	310	450	1100	2500	447.3	1015.5	26700	26700	26700	26700	26700	20830	15490			M36-M80	
FPR-500-11-560	508	20	86	35	-10	-3 ¹ / ₈	140	340	490	1100	2500	570.9	1290.3	36000	36000	36000	36000	36000	26080	20880			M36-M80	
FPR-500-12-560	508	20	86	40	-10	-3 ¹ / ₈	140	380	490	1100	2500	642.6	1477.0	46050	46050	46050	46050	35920	26710				M36-M80	
FPR-500-13-560	508	20	86	40	-46	-1 ¹³ / ₁₆	140	396	550	1100	2500	766.2	1701.7	56250	56250	56250	56250	56250	4380	32630			M36-M80	
FPR-500-2-600	508	20	18	8	-46	-2 ³ / ₈	30	158	180	800	2500	69.9	181.6	1060	1060	1060	1060	1060	1060	1060				M8-M16
FPR-500-3-600	508	20	26	10	-48	-1 ⁷ / ₈	45	168	230	900	2500	103.5	273.4	2020	2020	2020	2020	2020	2020				M8-M24	
FPR-500-4-600	508	20	33	10	-38	-1 ¹ / ₂	55	170	250	900	2500	130.7	335.0	3160	3160	3160	3160	1660	1160				M8-M30	
FPR-500-5-600	508	20	39	12	-28	-1 ¹ / ₈	65	200	300	900	2500	159.7	431.8	4560	4560	4560	4560	2560	1640				M12-M36	
FPR-500-6-600	508	20	52	15	-3	-3 ¹ / ₈	85	220	340	900	2500	220.4	568.6	7300	7300	7300	7300	7300	7300				M20-M48	
FPR-500-7-600	508	20	60	20	12	-1 ¹ / ₂	100	250	380	1000	2500	289.9	715.6	10680	10680	10680	10680	10680	10680				M24-M56	
FPR-500-8-600	508	20	68	25	32	-1 ¹ / ₄	115	300	410	1000	2500	358.1	885.9	14800	14800	14800	14800	14800	14800				M36-M64	
FPR-500-9-600	508	20	76	25	11	-7 ¹ / ₁₆	130	310	430	1000	2500													

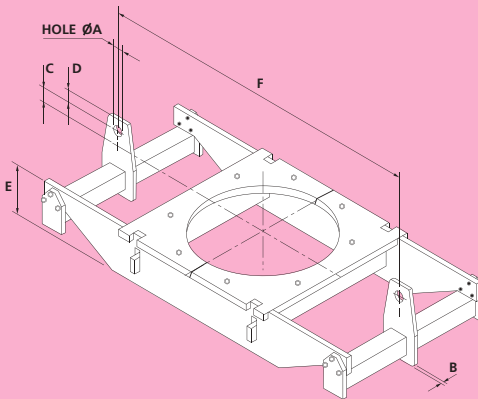
FPR RISER CLAMP FLAT PLATE TYPE



Material: Carbon Steel to 400°C Alloy Steel above 400°C End Beams and Lugs: Carbon Steel. Order by Part No. and Rod Centres "F"

Part Number	Pipe O/D		A	B	C	D	E	F		Weight kgf		Load Capacity (kgf) at Temperature C							Compatible with Rod Sizes				
	mm	in						mm	mm	mm	mm	Min.	Max.	Min.	Max.	350	400	490		530	580	600	
FPR-550-3-400	558.8	22	26	10	-48	-17/8	45	168	170	900	2500	79.4	161.5	2020	2020							M8-M24	
FPR-550-4-400	558.8	22	33	10	-38	-1 1/2	55	188	190	900	2500	102.0	249.7	3160	3160							M8-M30	
FPR-550-5-400	558.8	22	39	12	-28	-1 1/8	65	188	220	900	2500	125.3	286.6	4560	4560							M12-M36	
FPR-550-6-400	558.8	22	52	15	-3	-1 1/8	85	208	250	1000	2500	170.2	399.0	7300	7300							M20-M48	
FPR-550-7-400	558.8	22	60	20	12	1/2	100	208	290	1000	2500	216.4	514.9	10680	10680							M24-M56	
FPR-550-8-400	558.8	22	68	25	32	1 1/4	115	228	330	1000	2500	264.3	598.8	14800	14800							M36-M64	
FPR-550-9-400	558.8	22	76	25	11	7/16	130	294	360	1100	2500	365.3	773.3	19300	19300							M36-M72	
FPR-550-10-400	558.8	22	86	30	26	1	140	294	400	1100	2500	409.0	951.0	26700	26700							M36-M80	
FPR-550-11-400	558.8	22	86	35	-10	-3/8	140	330	450	1100	2500	536.6	1208.1	36000	36000							M36-M80	
FPR-550-12-400	558.8	22	86	40	-10	-3/8	140	360	500	1100	2500	585.2	1339.0	46500	46500							M36-M80	
FPR-550-13-400	558.8	22	86	40	-46	-1 13/16	140	416	510	1200	2500	777.4	1697.4	56250	56250							M36-M80	
FPR-550-3-490	558.8	22	26	10	-48	-1 1/8	45	168	170	900	2500	79.4	161.5	2020	2020	2020	1310	790	570	480		M8-M24	
FPR-550-4-490	558.8	22	33	10	-38	-1 1/2	55	188	190	900	2500	102.0	249.7	3160	3160	3160	2050	1230	880	780		M8-M30	
FPR-550-5-490	558.8	22	39	12	-28	-1 1/8	65	188	220	900	2500	125.3	286.6	4560	4560	4560	2960	1780	1280	1090		M12-M36	
FPR-550-6-490	558.8	22	52	15	-3	-1 1/8	85	208	250	1000	2500	170.2	399.0	7300	7300	7300	4750	2850	2040	1750		M20-M48	
FPR-550-7-490	558.8	22	60	20	12	1/2	100	208	300	1000	2500	216.4	470.3	10680	10680	10680	6940	4170	2990	2560		M24-M56	
FPR-550-8-490	558.8	22	68	25	32	1 1/4	115	228	330	1000	2500	264.3	598.8	14800	14800	14800	9620	5770	4140	3550		M36-M64	
FPR-550-9-490	558.8	22	76	25	11	7/16	130	294	360	1100	2500	365.3	773.3	19300	19300	19300	12550	7530	5400	4630		M36-M72	
FPR-550-10-490	558.8	22	86	30	26	1	140	294	390	1100	2500	409.0	933.8	26700	26700	26700	17360	10410	7480	6410		M36-M80	
FPR-550-11-490	558.8	22	86	35	-10	-3/8	140	330	450	1100	2500	536.6	1096.9	36000	36000	36000	23400	14040	10080	8640		M36-M80	
FPR-550-12-490	558.8	22	86	40	-10	-3/8	140	360	490	1100	2500	585.2	1319.7	46500	46500	46500	29930	17960	12890	11050		M36-M80	
FPR-550-13-490	558.8	22	86	40	-46	-1 13/16	140	416	510	1200	2500	768.8	1697.4	56250	56250	56250	56250	36560	21940	15750	13500		M36-M80
FPR-550-3-530	558.8	22	26	10	-48	-1 1/8	45	168	180	900	2500	84.3	188.8	2020	2020	2020	1210	890	730			M8-M24	
FPR-550-4-530	558.8	22	33	10	-38	-1 1/2	55	168	200	900	2500	107.0	258.8	3160	3160	3160	3160	1900	1390	1140			M8-M30
FPR-550-5-530	558.8	22	39	12	-28	-1 1/8	65	188	240	900	2500	145.0	304.6	4560	4560	4560	4560	2740	2010	1640			M12-M36
FPR-550-6-530	558.8	22	52	15	-3	-1 1/8	85	208	270	1000	2500	190.4	420.8	7300	7300	7300	7300	4380	3210	2630			M20-M48
FPR-550-7-530	558.8	22	60	20	12	1/2	100	208	300	1000	2500	239.1	528.0	10680	10680	10680	10680	6410	4700	3840			M24-M56
FPR-550-8-530	558.8	22	68	25	32	1 1/4	115	240	350	1000	2500	287.2	634.4	14800	14800	14800	14800	8880	6510	5330			M36-M64
FPR-550-9-530	558.8	22	76	25	11	7/16	130	294	370	1100	2500	391.6	787.8	19300	19300	19300	19300	11580	8490	6950			M36-M72
FPR-550-10-530	558.8	22	86	30	26	1	140	300	420	1100	2500	435.3	1000.2	26700	26700	26700	26700	16020	11750	9610			M36-M80
FPR-550-11-530	558.8	22	86	35	-10	-3/8	140	330	460	1100	2500	544.1	1227.3	36000	36000	36000	36000	21600	15840	12960			M36-M80
FPR-550-12-530	558.8	22	86	40	-10	-3/8	140	370	470	1200	2500	719.4	1615.5	46500	46500	46500	46500	29600	18260	16580			M36-M80
FPR-550-13-530	558.8	22	86	40	-46	-1 13/16	140	416	520	1200	2500	786.8	1729.9	56250	56250	56250	56250	37370	24750	20250			M36-M80
FPR-550-3-560	558.8	22	26	10	-48	-1 1/8	45	168	180	900	2500	84.3	188.8	2020	2020	2020	2020	1210	890	730			M8-M24
FPR-550-4-560	558.8	22	33	10	-38	-1 1/2	55	188	220	900	2500	120.5	275.7	3160	3160	3160	3160	1900	1390	1140			M8-M30
FPR-550-5-560	558.8	22	39	12	-28	-1 1/8	65	188	240	900	2500	151.8	307.8	4560	4560	4560	4560	2740	2010	1640			M12-M36
FPR-550-6-560	558.8	22	52	15	-3	-1 1/8	85	208	300	1000	2500	218.4	467.7	7300	7300	7300	7300	4380	3210	2630			M20-M48
FPR-550-7-560	558.8	22	60	20	12	1/2	100	230	330	1000	2500	252.8	580.0	10680	10680	10680	10680	6410	4700	3840			M24-M56
FPR-550-8-560	558.8	22	68	25	32	1 1/4	115	250	360	1100	2500	337.6	733.3	14800	14800	14800	14800	8880	6510	5330			M36-M64
FPR-550-9-560	558.8	22	76	25	11	7/16	130	294	380	1100	2500	403.9	912.3	19300	19300	19300	19300	11580	8490	6950			M36-M72
FPR-550-10-560	558.8	22	86	30	26	1	140	310	440	1100	2500	504.2	1033.8	26700	26700	26700	26700	16020	11750	9610			M36-M80
FPR-550-11-560	558.8	22	86	35	-10	-3/8	140	350	490	1100	2500	565.4	1263.0	36000	36000	36000	36000	20880	20880	20880			M36-M80
FPR-550-12-560	558.8	22	86	40	-10	-3/8	140	400	500	1200	2500	746.3	1617.7	46500	46500	46500	46500	30920	26710	23160			M36-M80
FPR-550-13-560	558.8	22	86	40	-46	-1 13/16	140	416	540	1200	2500	911.1	1766.8	56250	56250	56250	56250	34880	32630	31600			M36-M80
FPR-550-3-600	558.8	22	26	10	-48	-1 1/8	45	168	220	900	2500	120.4	275.8	2020	2020	2020	2020	1210	890	730			M8-M24
FPR-550-4-600	558.8	22	33	10	-38	-1 1/2	55	180	250	900	2500	146.8	369.8	3160	3160	3160	3160	1900	1390	1140			M8-M30
FPR-550-5-600	558.8	22	39	12	-28	-1 1/8	65	188	300	900	2500	192.8	449.7	4560	4560	4560	4560	2740	2010	1640			M12-M36
FPR-550-6-600	558.8	22	52	15	-3	-1 1/8	85	240	340	1000	2500	268.7	590.9	7300	7300	7300	7300	4380	3210	2630			M20-M48
FPR-550-7-600	558.8	22	60	20	12	1/2	100	260	380	1000	2500	331.0	741.9	10680	10680	10680	10680	6410	4700	3840			M24-M56
FPR-550-8-600	558.8	22	68	25	32	1 1/4	115	280	410	1100	2500	415.2	917.0	14800	14800	14800	14800	8880	6510	5330			M36-M64
FPR-550-9-600	558.8	22	76	25	11	7/16	130	330	450	1100	2500	513.5	1097.3	19300	19300	19300	19300	11580	8490	6950			M36-M72
FPR-550-10-600	558.8	22	86	30	26	1	140	370	520	1100	2500	620.3	1285.1	26700	26700	26700	26700	16020	11750	9610			M36-M80
FPR-550-11-600	558.8	22	86	35	-10	-3/8	140	400	510	1200	2500	790.2	1589.7	46500	46500	46500	46500	30000	36000	36000			M36-M80
FPR-550-12-600	558.8	22	86	40	-10	-3/8	140	450	580	1200	2500	905.8	1833.5	46500	46500	46500	46500	36000	36000	36000			M36-M80
FPR-550-13-600	558.8	22	86	40	-46	-1 13/16	140	480	570	1200	2500	1051.3	2124.4	56250	56250	56250	56250	36250	36250	36250			M36-M80

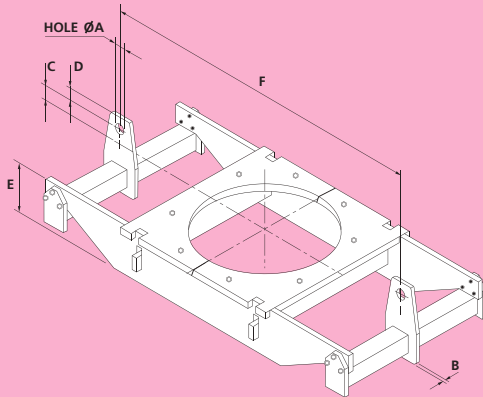
FPR RISER CLAMP FLAT PLATE TYPE



Material: Carbon Steel to 400°C Alloy Steel above 400°C End Beams and Lugs: Carbon Steel. Order by Part No. and Rod Centres "F"

Part Number	Pipe O/D		A		B		C		D		E		F		Weight kgf		Load Capacity (kgf) at Temperature C						Compatible with Rod Sizes		
	mm	in	mm	mm	mm	mm	in	mm	mm	Min.	Max.	Min.	Max.	Min.	Max.	350	400	490	530	560	580	600			
FPR-600-3-400	609.6	24	26	10	-48	-17/8	45	168	168	900	2500	85.3	183.9	2020	2020									M8-M24	
FPR-600-4-400	609.6	24	33	10	-38	-1 1/2	55	188	190	1000	2500	125.3	271.8	3160	3160									M8-M30	
FPR-600-5-400	609.6	24	39	12	-28	-1 1/8	65	188	220	1000	2500	144.0	299.9	4560	4560									M12-M36	
FPR-600-6-400	609.6	24	52	15	-3	-1/8	85	208	250	1000	2500	189.2	416.6	7300	7300									M20-M48	
FPR-600-7-400	609.6	24	60	20	12	1/2	100	208	300	1100	2500	244.8	490.9	490.9	10680	10680								M24-M56	
FPR-600-8-400	609.6	24	68	25	32	1 1/4	115	230	330	1100	2500	297.1	623.4	14800	14800									M36-M64	
FPR-600-9-400	609.6	24	76	25	11	7/16	130	294	350	1200	2500	405.8	787.0	19300	19300									M36-M72	
FPR-600-10-400	609.6	24	86	30	26	1	140	294	390	1200	2500	470.4	967.5	26700	26700									M36-M80	
FPR-600-11-400	609.6	24	86	35	-10	-3/8	140	330	440	1200	2500	596.1	1235.3	36000	36000									M36-M80	
FPR-600-12-400	609.6	24	86	40	-10	-3/8	140	360	490	1200	2500	645.8	1366.1	46050	46050									M36-M80	
FPR-600-13-400	609.6	24	86	40	-46	-1 13/16	140	416	510	1200	2500	805.3	1733.5	56250	56250									M8-M24	
FPR-600-3-490	609.6	24	26	10	-48	-1 7/8	45	168	168	900	2500	87.7	183.9	2020	2020			2020		1310	790	570	480	M8-M24	
FPR-600-4-490	609.6	24	33	10	-38	-1 1/2	55	188	200	1000	2500	125.3	286.4	3160	3160			3160		2050	1230	860	760	M8-M30	
FPR-600-5-490	609.6	24	39	12	-28	-1 1/8	65	188	220	1000	2500	144.0	299.9	4560	4560			4560		2960	1780	1280	1030	M12-M36	
FPR-600-6-490	609.6	24	52	15	-3	-1/8	85	208	250	1000	2500	189.2	416.6	7300	7300			7300		4750	2850	2040	1750	M20-M48	
FPR-600-7-490	609.6	24	60	20	12	1/2	100	208	300	1100	2500	244.8	490.9	10680	10680			10680		6940	4170	2990	2560	M24-M56	
FPR-600-8-490	609.6	24	68	25	32	1 1/4	115	230	330	1100	2500	297.1	623.4	14800	14800			14800		9250	5770	4140	3550	M36-M64	
FPR-600-9-490	609.6	24	76	25	11	7/16	130	294	350	1200	2500	405.8	787.0	19300	19300			19300		12650	7530	5400	4630	M36-M72	
FPR-600-10-490	609.6	24	86	30	26	1	140	294	390	1200	2500	453.9	967.5	26700	26700			26700		17360	10410	7480	6410	M36-M80	
FPR-600-11-490	609.6	24	86	35	-10	-3/8	140	330	440	1200	2500	596.1	1235.3	36000	36000			36000		23400	14040	10080	8640	M36-M80	
FPR-600-12-490	609.6	24	86	40	-10	-3/8	140	360	490	1200	2500	645.8	1366.1	46050	46050			46050		29930	17960	12890	11050	M36-M80	
FPR-600-13-490	609.6	24	86	40	-46	-1 13/16	140	416	510	1200	2500	805.3	1730.9	56250	56250			56250		36560	21940	15750	13500	M36-M80	
FPR-600-3-530	609.6	24	26	10	-48	-1 7/8	45	168	180	1000	2500	97.6	198.3	2020	2020			2020		1210	1210	890	730	M8-M24	
FPR-600-4-530	609.6	24	33	10	-38	-1 1/2	55	188	200	1000	2500	128.0	281.1	3160	3160			3160		1900	1390	1140	960	M8-M30	
FPR-600-5-530	609.6	24	39	12	-28	-1 1/8	65	188	240	1000	2500	166.6	333.9	4560	4560			4560		4560	2740	2010	1640	M12-M36	
FPR-600-6-530	609.6	24	52	15	-3	-1/8	85	208	270	1000	2500	211.9	455.1	7300	7300			7300		7300	4380	3210	2630	M20-M48	
FPR-600-7-530	609.6	24	60	20	12	1/2	100	210	300	1100	2500	270.7	565.8	10680	10680			10680		10680	6410	4700	3840	M24-M56	
FPR-600-8-530	609.6	24	68	25	32	1 1/4	115	250	350	1100	2500	323.2	665.8	14800	14800			14800		14800	8880	6510	5330	M36-M64	
FPR-600-9-530	609.6	24	76	25	11	7/16	130	294	370	1200	2500	435.5	834.2	19300	19300			19300		19300	11580	8490	6950	M36-M72	
FPR-600-10-530	609.6	24	86	30	26	1	140	294	410	1200	2500	505.6	1019.6	26700	26700			26700		26700	16020	11750	9610	M36-M80	
FPR-600-11-530	609.6	24	86	35	-10	-3/8	140	330	450	1200	2500	603.5	1233.3	36000	36000			36000		36000	21600	15940	12960	M36-M80	
FPR-600-12-530	609.6	24	86	40	-10	-3/8	140	360	500	1200	2500	756.0	1542.3	46050	46050			46050		46050	27630	20260	16590	M36-M80	
FPR-600-13-530	609.6	24	86	40	-46	-1 13/16	140	416	510	1200	2500	820.6	1753.5	56250	56250			56250		56250	33750	24750	20250	M36-M80	
FPR-600-3-560	609.6	24	26	10	-48	-1 7/8	45	168	200	1000	2500	117.9	227.9	2020	2020			2020		2020	1590	1170	960	M8-M24	
FPR-600-4-560	609.6	24	33	10	-38	-1 1/2	55	188	220	1000	2500	143.4	299.3	3160	3160			3160		3160	2480	1830	1510	M8-M30	
FPR-600-5-560	609.6	24	39	12	-28	-1 1/8	65	188	240	1000	2500	170.2	387.4	4560	4560			4560		4560	4560	3560	2840	M12-M36	
FPR-600-6-560	609.6	24	52	15	-3	-1/8	85	208	300	1000	2500	236.7	484.7	7300	7300			7300		7300	7300	7300	5690	4230	M20-M48
FPR-600-7-560	609.6	24	60	20	12	1/2	100	240	330	1100	2500	301.8	604.2	10680	10680			10680		10680	10680	8330	6190	M24-M56	
FPR-600-8-560	609.6	24	68	25	32	1 1/4	115	250	350	1100	2500	379.3	746.5	14800	14800			14800		14800	14800	11540	8880	M36-M64	
FPR-600-9-560	609.6	24	76	25	11	7/16	130	300	400	1200	2500	472.1	879.7	19300	19300			19300		19300	15050	11190	9360	M36-M72	
FPR-600-10-560	609.6	24	86	30	26	1	140	330	440	1200	2500	562.1	1071.0	26700	26700			26700		26700	26700	20630	15490	M36-M80	
FPR-600-11-560	609.6	24	86	35	-10	-3/8	140	340	480	1200	2500	673.7	1311.0	36000	36000			36000		36000	36000	28080	20880	M36-M80	
FPR-600-12-560	609.6	24	86	40	-10	-3/8	140	380	490	1200	2500	774.1	1649.5	46050	46050			46050		46050	35920	26710	21300	M36-M80	
FPR-600-13-560	609.6	24	86	40	-46	-1 13/16	140	420	540	1200	2500	997.8	1823.3	56250	56250			56250		56250	56250	43880	32630	M36-M80	
FPR-600-3-600	609.6	24	26	10	-48	-1 7/8	45	168	220	1000	2500	135.1	289.4	2020	2020			2020		2020	2020	2020	2020	M8-M24	
FPR-600-4-600	609.6	24	33	10	-38	-1 1/2	55	188	250	1000	2500	173.4	397.5	3160	3160			3160		3160	3160	3160	3160	M8-M30	
FPR-600-5-600	609.6	24	39	12	-28	-1 1/8	65	190	290	1000	2500	220.1	458.4	4560	4560			4560		4560	4560	4560	4560	M12-M36	
FPR-600-6-600	609.6	24	52	15	-3	-1/8	85	250	340	1000	2500	296.8	615.0	7300	7300			7300		7300	7300	7300	7300	M20-M48	
FPR-600-7-600	609.6	24	60	20	12	1/2	100	270	370	1100	2500	373.3	755.2	10680	10680			10680		10680	10680	10680	10680	M24-M56	
FPR-600-8-600	609.6	24	68	25	32	1 1/4	115	290	400	1100	2500	446.3	952.2	14800	14800			14800		14800	14800	14800	14800	M36-M64	
FPR-600-9-600	609.6	24	76	25	11	7/16	130	340	430	1200	2500	572.4	1172.2	19300	19300			19300		19300	19300	19300	19300	M36-M72	
FPR-600-10-600	609.6	24	86	30	26	1	140	360	460	1200	2500	688.8	1319.2	26700	26700			26700		26700	26700	26700	26700	M36-M80	
FPR-600-11-600	609.6	24	86	35	-10	-3/8	140	390	510	1200	2500	864.1	1651.4	36000	36000			36000		36000	36000	36000	36000	M36-M80	
FPR-600-12-600	609.6	24	86	40	-10	-3/8	140	440	570	1200	2500	985.2	1872.5	46050	46050			46050		46050	46050	46050	46050	M36-M80	
FPR-600-13-600	609.6	24	86	40	-46	-1 13/16	140	470	560	1300	2500	1151.7	2162.9	56250	56250			56250		56250	56250	56250	56250	M36-M80	

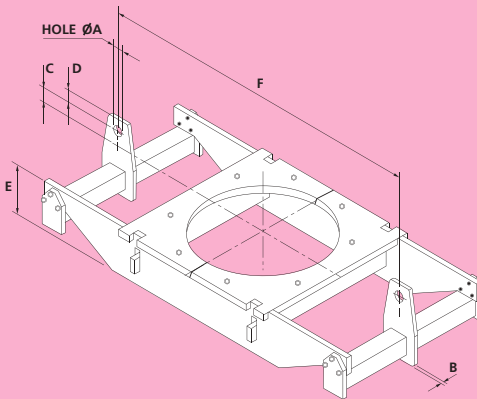
FPR RISER CLAMP FLAT PLATE TYPE



Material: Carbon Steel to 400°C Alloy Steel above 400°C End Beams and Lugs: Carbon Steel. Order by Part No. and Rod Centres "F"

Part Number	Pipe O/D		A	B	C	D	E	F		Weight kg		Load Capacity (kg) at Temperature C						Compatible with Rod Sizes							
	mm	in						mm	mm	mm	mm	Min.	Max.	Min.	Max.	350	400		490	530	580	600			
FPR-650-3-400	660.4	26	26	10	-48	-1 7/8	45	168	180	1000	3000	98.0	229.1	2020	2020							M8-M24			
FPR-650-4-400	660.4	26	33	10	-38	-1 1/2	55	188	200	1000	3000	137.0	323.7	3160	3160							M8-M30			
FPR-650-5-400	660.4	26	39	12	-28	-1 1/8	65	188	240	1100	3000	159.2	367.0	4560	4560							M12-M36			
FPR-650-6-400	660.4	26	52	15	-3	-1 1/8	85	208	280	1100	3000	206.7	517.3	7300	7300							M20-M48			
FPR-650-7-400	660.4	26	60	20	12	1/2	100	228	310	1100	3000	281.5	663.3	10680	10680							M24-M56			
FPR-650-8-400	660.4	26	68	25	32	1 1/4	115	240	340	1200	3000	331.3	821.4	14800	14800							M36-M64			
FPR-650-9-400	660.4	26	76	25	11	7/16	130	294	390	1200	3000	425.3	969.4	19300	19300							M36-M72			
FPR-650-10-400	660.4	26	86	30	26	1	140	300	440	1200	3000	519.1	1236.5	26700	26700							M36-M80			
FPR-650-11-400	660.4	26	86	35	-10	-3/8	140	330	490	1200	3000	635.6	1520.3	36000	36000							M36-M80			
FPR-650-12-400	660.4	26	86	40	-10	-3/8	140	380	510	1300	3000	846.3	1968.4	46500	46500							M36-M80			
FPR-650-13-400	660.4	26	86	40	-46	-1 15/16	140	416	550	1300	3000	880.2	2097.9	56250	56250							M36-M80			
FPR-650-3-490	660.4	26	26	10	-48	-1 7/8	45	168	180	1000	3000	98.0	229.1	2020	2020	2020	1310	790	570	480			M8-M24		
FPR-650-4-490	660.4	26	33	10	-38	-1 1/2	55	188	200	1000	3000	137.0	323.7	3160	3160	3160	2050	1230	880	780			M8-M30		
FPR-650-5-490	660.4	26	39	12	-28	-1 1/8	65	188	240	1100	3000	159.2	367.0	4560	4560	4560	2360	1780	1280	1030			M12-M36		
FPR-650-6-490	660.4	26	52	15	-3	-1 1/8	85	208	270	1100	3000	206.7	504.2	7300	7300	7300	4750	2850	2040	1750			M20-M48		
FPR-650-7-490	660.4	26	60	20	12	1/2	100	228	310	1100	3000	281.5	653.3	10680	10680	10680	6940	4170	2990	2560			M24-M56		
FPR-650-8-490	660.4	26	68	25	32	1 1/4	115	230	340	1200	3000	325.6	821.4	14800	14800	14800	9620	5770	4140	3560			M36-M64		
FPR-650-9-490	660.4	26	76	25	11	7/16	130	294	390	1200	3000	425.3	969.4	19300	19300	19300	12550	7530	5400	4630			M36-M72		
FPR-650-10-490	660.4	26	86	30	26	1	140	300	430	1200	3000	519.1	1216.3	26700	26700	26700	17360	10410	7480	6410			M36-M80		
FPR-650-11-490	660.4	26	86	35	-10	-3/8	140	330	480	1200	3000	635.6	1520.3	36000	36000	36000	23400	14040	10080	8640			M36-M80		
FPR-650-12-490	660.4	26	86	40	-10	-3/8	140	380	490	1300	3000	787.4	1870.6	46500	46500	46500	29930	17960	12890	11050			M36-M80		
FPR-650-13-490	660.4	26	86	40	-46	-1 15/16	140	416	550	1300	3000	880.2	2097.9	56250	56250	56250	36560	21940	15750	13500			M36-M80		
FPR-650-3-530	660.4	26	26	10	-48	-1 7/8	45	168	190	1000	3000	106.4	232.0	2020	2020	2020	1210	890	730				M8-M24		
FPR-650-4-530	660.4	26	33	10	-38	-1 1/2	55	188	220	1100	3000	154.4	345.1	3160	3160	3160	3160	3160	1900	1390	1140			M8-M30	
FPR-650-5-530	660.4	26	39	12	-28	-1 1/8	65	188	240	1100	3000	184.9	446.6	4560	4560	4560	4560	4560	2740	2010	1640			M12-M36	
FPR-650-6-530	660.4	26	52	15	-3	-1 1/8	85	208	300	1100	3000	234.5	552.1	7300	7300	7300	7300	7300	4380	3210	2630			M20-M48	
FPR-650-7-530	660.4	26	60	20	12	1/2	100	228	330	1100	3000	310.2	712.7	10680	10680	10680	10680	6410	4700	3840				M24-M56	
FPR-650-8-530	660.4	26	68	25	32	1 1/4	115	230	360	1200	3000	383.7	875.9	14800	14800	14800	14800	8880	6510	5330				M36-M64	
FPR-650-9-530	660.4	26	76	25	11	7/16	130	294	390	1200	3000	464.2	1010.3	19300	19300	19300	19300	11580	8490	6950				M36-M72	
FPR-650-10-530	660.4	26	86	30	26	1	140	294	450	1200	3000	548.6	1255.9	26700	26700	26700	26700	16020	11750	9610				M36-M80	
FPR-650-11-530	660.4	26	86	35	-10	-3/8	140	340	500	1200	3000	651.4	1542.9	36000	36000	36000	36000	21600	15840	12360				M36-M80	
FPR-650-12-530	660.4	26	86	40	-10	-3/8	140	380	520	1300	3000	755.7	1898.0	46500	46500	46500	46500	29260	16580	12260				M36-M80	
FPR-650-13-530	660.4	26	86	40	-46	-1 15/16	140	416	580	1300	3000	925.3	2126.5	56250	56250	56250	56250	33750	24750	20250				M36-M80	
FPR-650-3-560	660.4	26	26	10	-48	-1 7/8	45	168	200	1000	3000	129.3	317.7	2020	2020	2020	2020	2020	1580	1170				M8-M24	
FPR-650-4-560	660.4	26	33	10	-38	-1 1/2	55	188	240	1100	3000	184.2	366.4	3160	3160	3160	3160	3160	2480	1830				M8-M30	
FPR-650-5-560	660.4	26	39	12	-28	-1 1/8	65	188	260	1100	3000	192.9	472.3	4560	4560	4560	4560	4560	3560	2540				M12-M36	
FPR-650-6-560	660.4	26	52	15	-3	-1 1/8	85	208	300	1100	3000	266.2	630.5	7300	7300	7300	7300	7300	7300	5990	4230				M20-M48
FPR-650-7-560	660.4	26	60	20	12	1/2	100	250	330	1100	3000	343.8	799.9	10680	10680	10680	10680	10680	8330	6190				M24-M56	
FPR-650-8-560	660.4	26	68	25	32	1 1/4	115	260	390	1200	3000	422.8	927.8	14800	14800	14800	14800	14800	14800	11540	8580				M36-M64
FPR-650-9-560	660.4	26	76	25	11	7/16	130	300	410	1200	3000	503.6	1139.9	19300	19300	19300	19300	19300	15050	11190				M36-M72	
FPR-650-10-560	660.4	26	86	30	26	1	140	330	460	1200	3000	618.1	1425.3	26700	26700	26700	26700	26700	20380	15490				M36-M80	
FPR-650-11-560	660.4	26	86	35	-10	-3/8	140	360	480	1300	3000	789.4	1764.1	36000	36000	36000	36000	36000	20800	20800				M36-M80	
FPR-650-12-560	660.4	26	86	40	-10	-3/8	140	400	540	1300	3000	885.5	2050.0	46500	46500	46500	46500	46500	35920	26710				M36-M80	
FPR-650-13-560	660.4	26	86	40	-46	-1 15/16	140	416	600	1300	3000	1041.7	2277.3	56250	56250	56250	56250	56250	43880	32630				M36-M80	
FPR-650-3-600	660.4	26	26	10	-48	-1 7/8	45	168	240	1000	3000	171.8	386.0	2020	2020	2020	2020	2020	2020	2020				M8-M24	
FPR-650-4-600	660.4	26	33	10	-38	-1 1/2	55	200	270	1100	3000	217.9	484.3	3160	3160	3160	3160	3160	3160	3160				M8-M30	
FPR-650-5-600	660.4	26	39	12	-28	-1 1/8	65	200	300	1100	3000	248.8	610.5	4560	4560	4560	4560	4560	4560	4560				M12-M36	
FPR-650-6-600	660.4	26	52	15	-3	-1 1/8	85	230	340	1100	3000	354.8	797.7	7300	7300	7300	7300	7300	7300	7300				M20-M48	
FPR-650-7-600	660.4	26	60	20	12	1/2	100	280	380	1200	3000	432.3	1014.0	10680	10680	10680	10680	10680	10680	10680				M24-M56	
FPR-650-8-600	660.4	26	68	25	32	1 1/4	115	290	440	1200	3000	497.2	1173.7	14800	14800	14800	14800	14800	14800	14800				M36-M64	
FPR-650-9-600	660.4	26	76	25	11	7/16	130	340	470	1200	3000	610.7	1430.8	19300	19300	19300	19300	19300	19300	19300				M36-M72	
FPR-650-10-600	660.4	26	86	30	26	1	140	380	480	1300	3000	761.4	1738.8	26700	26700	26700	26700	26700	26700	26700				M36-M80	
FPR-650-11-600	660.4	26	86	35	-10	-3/8	140	410	580	1300	3000	980.8	2021.2	36000	36000	36000	36000	36000	36000	36000				M36-M80	
FPR-650-12-600	660.4	26	86	40	-10	-3/8	140	430	580	1300	3000	1147.5	2493.3	46500	46500	46500	46500	46500	46500	46500				M36-M80	
FPR-650-13-600	660.4	26	86	40	-46	-1 15/16	140	480	580	1300	3000	1201.8	2773.3	56250	56250	56250	56250	56250	56250	56250				M36-M80	

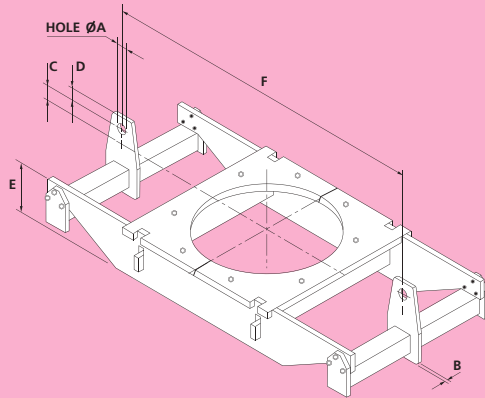
FPR RISER CLAMP FLAT PLATE TYPE



Material: Carbon Steel to 400°C Alloy Steel above 400°C End Beams and Lugs: Carbon Steel. Order by Part No. and Rod Centres "F"

Part Number	Pipe O/D		A	B	C	D	E	F	Weight kgf		Load Capacity (kgf) at Temperature C							Compatible with Rod Sizes					
	mm	in							Min.	Max.	Min.	Max.	350	400	490	530	560		580	600			
FPR-700-3-400	711.2	28	26	10	-48	-17/8	45	168	180	1100	3000	117.8	239.3	2020	2020							M8-M24	
FPR-700-4-400	711.2	28	33	10	-38	-1 1/2	55	188	200	1100	3000	154.6	337.7	3160	3160							M8-M30	
FPR-700-5-400	711.2	28	39	12	-28	-1 1/8	65	188	240	1100	3000	176.0	381.4	4560	4560							M12-M36	
FPR-700-6-400	711.2	28	52	15	-3	-1 1/8	85	208	270	1100	3000	253.6	523.1	7300	7300							M20-M48	
FPR-700-7-400	711.2	28	60	20	12	1/2	100	228	310	1200	3000	334.0	686.3	10680	10680							M24-M56	
FPR-700-8-400	711.2	28	68	25	32	1 1/4	115	258	340	1200	3000	403.5	878.5	14800	14800							M36-M64	
FPR-700-9-400	711.2	28	76	25	11	7/16	130	294	390	1300	3000	497.4	1001.1	19300	19300							M36-M72	
FPR-700-10-400	711.2	28	86	30	26	1	140	324	430	1300	3000	587.0	1256.1	26700	26700							M36-M80	
FPR-700-11-400	711.2	28	86	35	-10	-3/8	140	360	480	1300	3000	720.0	1579.5	36000	36000							M36-M80	
FPR-700-12-400	711.2	28	86	40	-10	-3/8	140	380	500	1400	3000	922.9	2008.8	46050	46050							M36-M80	
FPR-700-13-400	711.2	28	86	40	-46	-1 13/16	140	416	550	1400	3000	986.9	2176.8	56250	56250							M36-M80	
FPR-700-3-490	711.2	28	26	10	-48	-1 7/8	45	168	180	1100	3000	114.6	239.3	2020	2020	2020	1310	790	570	480		M8-M24	
FPR-700-4-490	711.2	28	33	10	-38	-1 1/2	55	188	200	1100	3000	154.6	337.7	3160	3160	3160	2050	1230	890	760		M8-M30	
FPR-700-5-490	711.2	28	39	12	-28	-1 1/8	65	188	240	1100	3000	176.0	381.4	4560	4560	4560	2960	1780	1280	1090		M12-M36	
FPR-700-6-490	711.2	28	52	15	-3	-1 1/8	85	208	270	1100	3000	229.1	523.1	7300	7300	7300	4750	2850	2040	1750		M20-M48	
FPR-700-7-490	711.2	28	60	20	12	1/2	100	228	300	1200	3000	307.8	671.3	10680	10680	10680	6940	4170	2990	2560		M24-M56	
FPR-700-8-490	711.2	28	68	25	32	1 1/4	115	258	340	1200	3000	403.5	878.5	14800	14800	14800	14800	9620	5770	4140	3560		M36-M64
FPR-700-9-490	711.2	28	76	25	11	7/16	130	294	380	1300	3000	468.3	983.8	19300	19300	19300	12550	7530	5400	4630		M36-M72	
FPR-700-10-490	711.2	28	86	30	26	1	140	300	430	1300	3000	564.1	1256.1	26700	26700	26700	17360	10410	7480	6410		M36-M80	
FPR-700-11-490	711.2	28	86	35	-10	-3/8	140	360	470	1300	3000	720.0	1556.5	36000	36000	36000	23400	14040	10080	8640		M36-M80	
FPR-700-12-490	711.2	28	86	40	-10	-3/8	140	380	500	1400	3000	912.9	2008.8	46050	46050	46050	29930	17960	12890	11050		M36-M80	
FPR-700-13-490	711.2	28	86	40	-46	-1 13/16	140	416	540	1400	3000	976.1	2150.3	56250	56250	56250	36560	21940	15750	13500		M36-M80	
FPR-700-3-530	711.2	28	26	10	-48	-1 7/8	45	168	180	1100	3000	120.7	247.7	2020	2020	2020	2020	1210	890	730		M8-M24	
FPR-700-4-530	711.2	28	33	10	-38	-1 1/2	55	188	220	1100	3000	171.4	359.3	3160	3160	3160	3160	1900	1390	1140		M8-M30	
FPR-700-5-530	711.2	28	39	12	-28	-1 1/8	65	188	240	1100	3000	204.3	464.5	4560	4560	4560	4560	2740	2010	1640		M12-M36	
FPR-700-6-530	711.2	28	52	15	-3	-1 1/8	85	208	300	1200	3000	281.0	584.1	7300	7300	7300	4300	3210	2630			M20-M48	
FPR-700-7-530	711.2	28	60	20	12	1/2	100	230	330	1200	3000	345.2	738.6	10680	10680	10680	10680	6410	4700	3840		M24-M56	
FPR-700-8-530	711.2	28	68	25	32	1 1/4	115	258	360	1300	3000	451.1	936.3	14800	14800	14800	14800	8880	6510	5330		M36-M64	
FPR-700-9-530	711.2	28	76	25	11	7/16	130	294	380	1300	3000	511.8	1116.3	19300	19300	19300	19300	11580	8490	6950		M36-M72	
FPR-700-10-530	711.2	28	86	30	26	1	140	300	450	1300	3000	603.9	1296.1	26700	26700	26700	26700	16020	11750	9610		M36-M80	
FPR-700-11-530	711.2	28	86	35	-10	-3/8	140	360	480	1300	3000	737.2	1601.4	36000	36000	36000	21600	15840	12960			M36-M80	
FPR-700-12-530	711.2	28	86	40	-10	-3/8	140	416	540	1400	3000	833.8	1827.4	46050	46050	46050	27630	20280	16580			M36-M80	
FPR-700-13-530	711.2	28	86	40	-46	-1 13/16	140	416	560	1400	3000	1127.6	2204.5	56250	56250	56250	33750	24750	20250			M36-M80	
FPR-700-3-560	711.2	28	26	10	-48	-1 7/8	45	168	200	1100	3000	146.5	327.3	2020	2020	2020	2020	1590	1170			M8-M24	
FPR-700-4-560	711.2	28	33	10	-38	-1 1/2	55	188	250	1100	3000	199.8	412.2	3160	3160	3160	3160	2160	1680	1830		M8-M30	
FPR-700-5-560	711.2	28	39	12	-28	-1 1/8	65	190	260	1100	3000	212.6	490.4	4560	4560	4560	4560	3560	2940			M12-M36	
FPR-700-6-560	711.2	28	52	15	-3	-1 1/8	85	210	300	1200	3000	318.2	652.9	7300	7300	7300	7300	7300	5690	4230			M20-M48
FPR-700-7-560	711.2	28	60	20	12	1/2	100	230	330	1200	3000	406.9	827.2	10680	10680	10680	10680	8330	6190			M24-M56	
FPR-700-8-560	711.2	28	68	25	32	1 1/4	115	270	390	1300	3000	494.0	1011.5	14800	14800	14800	14800	11450	8580			M36-M64	
FPR-700-9-560	711.2	28	76	25	11	7/16	130	294	410	1300	3000	570.7	1175.9	19300	19300	19300	19300	15050	11190			M36-M72	
FPR-700-10-560	711.2	28	86	30	26	1	140	340	460	1300	3000	680.9	1472.9	26700	26700	26700	26700	26700	26700				M36-M80
FPR-700-11-560	711.2	28	86	35	-10	-3/8	140	360	470	1300	3000	864.3	1827.7	36000	36000	36000	36000	26800	20880			M36-M80	
FPR-700-12-560	711.2	28	86	40	-10	-3/8	140	380	540	1400	3000	1022.0	2109.9	46050	46050	46050	46050	35920	26710			M36-M80	
FPR-700-13-560	711.2	28	86	40	-46	-1 13/16	140	430	590	1400	3000	1162.5	2335.4	56250	56250	56250	56250	56250	56250			M36-M80	
FPR-700-3-600	711.2	28	26	10	-48	-1 7/8	45	168	250	1100	3000	190.9	401.6	2020	2020	2020	2020	2020	2020			M8-M24	
FPR-700-4-600	711.2	28	33	10	-38	-1 1/2	55	200	270	1100	3000	236.4	502.5	3160	3160	3160	3160	3160	3160			M8-M30	
FPR-700-5-600	711.2	28	39	12	-28	-1 1/8	65	210	290	1100	3000	293.9	616.8	4560	4560	4560	4560	4560	4560			M12-M36	
FPR-700-6-600	711.2	28	52	15	-3	-1 1/8	85	240	340	1200	3000	396.4	824.8	7300	7300	7300	7300	7300	7300			M20-M48	
FPR-700-7-600	711.2	28	60	20	12	1/2	100	280	380	1200	3000	462.5	1066.0	10680	10680	10680	10680	10680	10680			M24-M56	
FPR-700-8-600	711.2	28	68	25	32	1 1/4	115	320	440	1300	3000	637.4	1246.2	14800	14800	14800	14800	14800	14800			M36-M64	
FPR-700-9-600	711.2	28	76	25	11	7/16	130	350	470	1300	3000	672.7	1478.0	19300	19300	19300	19300	19300	19300			M36-M72	
FPR-700-10-600	711.2	28	86	30	26	1	140	380	480	1300	3000	830.1	1782.2	26700	26700	26700	26700	26700	26700			M36-M80	
FPR-700-11-600	711.2	28	86	35	-10	-3/8	140	420	550	1400	3000	1081.5	2094.1	36000	36000	36000	36000	36000	36000			M36-M80	
FPR-700-12-600	711.2	28	86	40	-10	-3/8	140	440	560	1400	3000	1251.7	2543.3	46050	46050	46050	46050	46050	46050			M36-M80	
FPR-700-13-600	711.2	28	86	40	-46	-1 13/16	140	490	550	1400	3000	1399.2	2827.2	56250	56250	56250	56250	56250	56250			M36-M80	

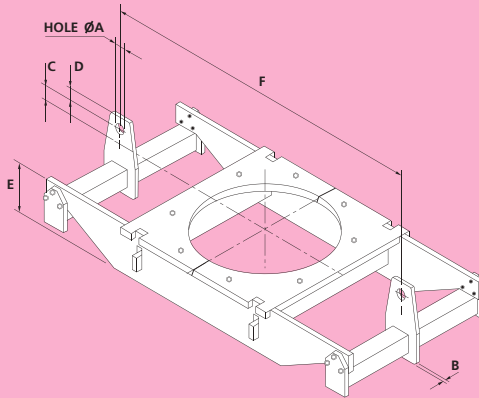
FPR RISER CLAMP FLAT PLATE TYPE



Material: Carbon Steel to 400°C Alloy Steel above 400°C End Beams and Lugs: Carbon Steel. Order by Part No. and Rod Centres "F"

Part Number	Pipe O/D		A	B	C	D	E	F		Weight kg		Load Capacity (kg) at Temperature C							Compatible with Rod Sizes									
	mm	in						mm	mm	mm	in	Min.	Max.	Min.	Max.	Min.	Max.	350		400	490	530	560	580	600			
FPR-750-4-400	762	30	33	10	-38	-1 1/2	55	188	200	1200	3000	170.9	353.0	3160	3160												M8-M30	
FPR-750-5-400	762	30	39	12	-28	-1 1/8	65	208	230	1200	3000	236.6	403.1	4560	4560												M12-M36	
FPR-750-6-400	762	30	52	15	-3	-1 1/8	85	208	280	1200	3000	279.3	581.7	7300	7300												M20-M48	
FPR-750-7-400	762	30	60	20	12	1/2	100	228	310	1300	3000	371.6	736.1	10680	10680												M24-M56	
FPR-750-8-400	762	30	68	25	32	1 1/4	115	258	340	1300	3000	473.6	934.0	14800	14800												M36-M64	
FPR-750-9-400	762	30	76	25	11	7/16	130	294	390	1300	3000	537.8	1060.5	19300	19300												M36-M72	
FPR-750-10-400	762	30	86	30	26	1	140	294	430	1400	3000	659.0	1313.8	26700	26700												M36-M80	
FPR-750-11-400	762	30	86	35	-10	-3/8	140	360	480	1400	3000	788.6	1631.7	36000	36000												M36-M80	
FPR-750-12-400	762	30	86	40	-10	-3/8	140	390	500	1400	3000	976.4	2064.5	46050	46050												M36-M80	
FPR-750-13-400	762	30	86	40	-46	-1 3/16	140	416	540	1400	3000	1042.1	2216.1	56250	56250												M36-M80	
FPR-750-4-490	762	30	33	10	-38	-1 1/2	55	188	200	1200	3000	170.9	353.0	3160	3160	3160	3160	2050	1230	880	760						M8-M30	
FPR-750-5-490	762	30	39	12	-28	-1 1/8	65	208	230	1200	3000	208.9	403.1	4560	4560	4560	4560	2960	1780	1280	1090						M12-M36	
FPR-750-6-490	762	30	52	15	-3	-1 1/8	85	208	270	1200	3000	279.3	581.7	7300	7300	7300	7300	4750	2850	2040	1750						M20-M48	
FPR-750-7-490	762	30	60	20	12	1/2	100	228	300	1300	3000	371.6	696.4	10680	10680	10680	10680	6940	4170	2990	2560						M24-M56	
FPR-750-8-490	762	30	68	25	32	1 1/4	115	258	340	1300	3000	473.6	934.0	14800	14800	14800	14800	9620	5770	4140	3550						M36-M64	
FPR-750-9-490	762	30	76	25	11	7/16	130	294	390	1300	3000	537.8	1043.0	19300	19300	19300	19300	12550	7530	5400	4630						M36-M72	
FPR-750-10-490	762	30	86	30	26	1	140	294	420	1400	3000	659.0	1294.1	26700	26700	26700	26700	17390	10410	7480	6410						M36-M80	
FPR-750-11-490	762	30	86	35	-10	-3/8	140	360	470	1400	3000	788.6	1608.5	36000	36000	36000	36000	23400	14040	10080	8540						M36-M80	
FPR-750-12-490	762	30	86	40	-10	-3/8	140	390	480	1400	3000	976.4	2036.3	46050	46050	46050	46050	29930	17960	12880	11050						M36-M80	
FPR-750-13-490	762	30	86	40	-46	-1 3/16	140	416	540	1400	3000	1042.1	2216.1	56250	56250	56250	56250	36560	21940	15750	13500						M36-M80	
FPR-750-4-530	762	30	33	10	-38	-1 1/2	55	188	210	1200	3000	188.8	363.6	3160	3160	3160	3160	1900	1140	1390	1140						M8-M30	
FPR-750-5-530	762	30	39	12	-28	-1 1/8	65	208	230	1200	3000	240.9	489.2	4560	4560	4560	4560	2740	2010	1640	1420						M12-M36	
FPR-750-6-530	762	30	52	15	-3	-1 1/8	85	208	290	1200	3000	307.9	594.6	7300	7300	7300	7300	4390	3210	2530	2240						M20-M48	
FPR-750-7-530	762	30	60	20	12	1/2	100	230	330	1300	3000	377.4	767.1	10680	10680	10680	10680	6480	4140	4700	3840						M24-M56	
FPR-750-8-530	762	30	68	25	32	1 1/4	115	258	350	1300	3000	488.2	951.5	14800	14800	14800	14800	8880	6510	5330	4630						M36-M64	
FPR-750-9-530	762	30	76	25	11	7/16	130	294	440	1300	3000	545.4	1083.6	19300	19300	19300	19300	11580	8490	6950	5960						M36-M72	
FPR-750-10-530	762	30	86	30	26	1	140	320	440	1400	3000	735.5	1453.3	26700	26700	26700	26700	16020	10200	11750	9610						M36-M80	
FPR-750-11-530	762	30	86	35	-10	-3/8	140	360	480	1400	3000	851.4	1653.8	36000	36000	36000	36000	21600	15840	12960	10960						M36-M80	
FPR-750-12-530	762	30	86	40	-10	-3/8	140	380	510	1400	3000	987.4	2091.3	46050	46050	46050	46050	27630	20280	16580	13680						M36-M80	
FPR-750-13-530	762	30	86	40	-46	-1 3/16	140	416	550	1400	3000	1191.8	2443.0	56250	56250	56250	56250	33750	24750	20250	16580						M36-M80	
FPR-750-4-560	762	30	33	10	-38	-1 1/2	55	188	240	1200	3000	220.6	420.3	3160	3160	3160	3160	3160	3160	2460	1830						M8-M30	
FPR-750-5-560	762	30	39	12	-28	-1 1/8	65	208	260	1200	3000	277.6	529.0	4560	4560	4560	4560	4560	3560	2640							M12-M36	
FPR-750-6-560	762	30	52	15	-3	-1 1/8	85	220	290	1200	3000	348.9	661.8	7300	7300	7300	7300	7300	7300	5690	4230						M20-M48	
FPR-750-7-560	762	30	60	20	12	1/2	100	240	330	1300	3000	451.9	856.6	10680	10680	10680	10680	8330	6190								M24-M56	
FPR-750-8-560	762	30	68	25	32	1 1/4	115	280	390	1300	3000	535.1	1048.4	14800	14800	14800	14800	14800	14800	11540	8580						M36-M64	
FPR-750-9-560	762	30	76	25	11	7/16	130	294	410	1300	3000	616.2	1242.0	19300	19300	19300	19300	13000	10500								M36-M72	
FPR-750-10-560	762	30	86	30	26	1	140	340	450	1400	3000	753.6	1515.1	26700	26700	26700	26700	26700	20300	15490							M36-M80	
FPR-750-11-560	762	30	86	35	-10	-3/8	140	370	470	1400	3000	844.2	1883.6	36000	36000	36000	36000	28080	20880								M36-M80	
FPR-750-12-560	762	30	86	40	-10	-3/8	140	390	530	1400	3000	1078.4	2146.4	46050	46050	46050	46050	46050	35920	26710							M36-M80	
FPR-750-13-560	762	30	86	40	-46	-1 3/16	140	430	590	1400	3000	1227.2	2408.9	56250	56250	56250	56250	56250	43880	32630							M36-M80	
FPR-750-4-600	762	30	33	10	-38	-1 1/2	55	188	270	1200	3000	283.3	522.4	3160	3160	3160	3160	3160	3160	3160	3160						M8-M30	
FPR-750-5-600	762	30	39	12	-28	-1 1/8	65	220	290	1200	3000	347.1	661.0	4560	4560	4560	4560	4560	4560	4560	4560							M12-M36
FPR-750-6-600	762	30	52	15	-3	-1 1/8	85	240	340	1200	3000	425.4	879.3	7300	7300	7300	7300	7300	7300	7300	7300							M20-M48
FPR-750-7-600	762	30	60	20	12	1/2	100	300	400	1300	3000	544.4	1133.2	10680	10680	10680	10680	10680	10680	10680	10680							M24-M56
FPR-750-8-600	762	30	68	25	32	1 1/4	115	320	440	1300	3000	681.2	1289.4	14800	14800	14800	14800	14800	14800	14800	14800							M36-M64
FPR-750-9-600	762	30	76	25	11	7/16	130	330	460	1400	3000	780.2	1506.4	19300	19300	19300	19300	19300	19300	19300	19300							M36-M72
FPR-750-10-600	762	30	86	30	26	1	140	390	470	1400	3000	924.2	1824.4	26700	26700	26700	26700	26700	26700	26700	26700							M36-M80
FPR-750-11-600	762	30	86	35	-10	-3/8	140	420	540	1400	3000	1144.3	2131.8	36000	36000	36000	36000	36000	36000	36000	36000							M36-M80
FPR-750-12-600	762	30	86	40	-10	-3/8	140	450	550	1500	3000	1361.1	2545.7	46050	46050	46050	46050	46050	46050	46050	46050							M36-M80
FPR-750-13-600	762	30	86	40	-46	-1 3/16	140	500	540	1500	3000	1521.1	2869.3	56250	56250	56250	56250	56250	56250	56250	56250							M36-M80

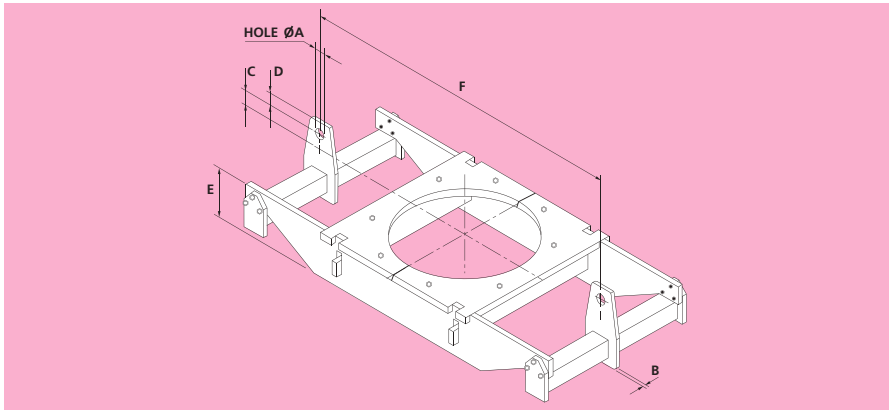
FPR RISER CLAMP FLAT PLATE TYPE



Material: Carbon Steel to 400°C Alloy Steel above 400°C End Beams and Lugs: Carbon Steel. Order by Part No. and Rod Centres "F"

Part Number	Pipe O/D		A	B	C	D	E	F	Weight kg		Load Capacity (kg) at Temperature C								Compatible with Rod Sizes							
	mm	in							Min.	Max.	350	400	450	530	560	580	600									
FPR-800-4-400	812.8	32	33	10	-3/8	-1 1/2	55	188	200	1200	3000	198.8	369.0	3160	3160										M8-M30	
FPR-800-5-400	812.8	32	39	12	-2/8	-1 1/8	65	208	240	1300	3000	259.1	458.4	4560	4560										M12-M36	
FPR-800-6-400	812.8	32	52	15	-3/8	-1 1/8	85	208	270	1300	3000	330.6	592.9	7300	7300										M20-M48	
FPR-800-7-400	812.8	32	60	20	1/2	1 1/2	100	228	310	1300	3000	398.3	765.6	10680	10680										M24-M56	
FPR-800-8-400	812.8	32	68	25	3/2	1 1/4	115	258	340	1400	3000	521.3	969.0	13000	13000										M36-M64	
FPR-800-9-400	812.8	32	76	25	11	7/16	130	294	390	1400	3000	590.6	1081.9	19300	19300										M36-M72	
FPR-800-10-400	812.8	32	86	30	26	1	140	300	420	1400	3000	709.4	1340.4	26700	26700										M36-M80	
FPR-800-11-400	812.8	32	86	35	-10	-3/8	140	360	470	1400	3000	845.4	1663.4	36000	36000										M36-M80	
FPR-800-12-400	812.8	32	86	40	-10	-3/8	140	380	490	1500	3000	1082.7	2122.8	46050	46050										M36-M80	
FPR-800-13-400	812.8	32	86	40	-46	-1 13/16	140	466	530	1600	3000	1378.4	2368.1	56250	56250										M36-M80	
FPR-800-4-490	812.8	32	33	10	-3/8	-1 1/2	55	188	200	1200	3000	198.8	369.0	3160	3160	3160	3160	2050	1230	890	760	760	760	760	M8-M30	
FPR-800-5-490	812.8	32	39	12	-2/8	-1 1/8	65	208	240	1300	3000	259.1	458.4	4560	4560	4560	2960	1780	1280	1090	1090	1090	1090	1090	M12-M36	
FPR-800-6-490	812.8	32	52	15	-3/8	-1 1/8	85	208	270	1300	3000	330.6	592.9	7300	7300	7300	4750	2850	2040	1750	2040	1750	2040	1750	M20-M48	
FPR-800-7-490	812.8	32	60	20	1/2	1 1/2	100	228	300	1300	3000	398.3	750.4	10680	10680	10680	6940	4170	2990	2560	2560	2560	2560	2560	M24-M56	
FPR-800-8-490	812.8	32	68	25	3/2	1 1/4	115	258	350	1400	3000	521.3	887.8	14800	14800	14800	9620	5730	4140	3550	3550	3550	3550	3550	M36-M64	
FPR-800-9-490	812.8	32	76	25	11	7/16	130	294	380	1400	3000	592.5	1081.9	19300	19300	19300	12550	7300	5400	4630	4630	4630	4630	4630	M36-M72	
FPR-800-10-490	812.8	32	86	30	26	1	140	300	420	1400	3000	709.4	1340.4	26700	26700	26700	17360	10410	7480	6410	6410	6410	6410	6410	M36-M80	
FPR-800-11-490	812.8	32	86	35	-10	-3/8	140	360	460	1400	3000	845.4	1641.1	36000	36000	36000	23400	14040	10080	8640	8640	8640	8640	8640	M36-M80	
FPR-800-12-490	812.8	32	86	40	-10	-3/8	140	380	490	1500	3000	1082.7	2122.8	46050	46050	46050	29930	17960	12680	11050	11050	11050	11050	11050	M36-M80	
FPR-800-13-490	812.8	32	86	40	-46	-1 13/16	140	466	530	1600	3000	1291.5	2339.3	56250	56250	56250	36560	21940	15750	13500	13500	13500	13500	13500	M36-M80	
FPR-800-4-530	812.8	32	33	10	-3/8	-1 1/2	55	188	210	1200	3000	203.6	379.7	3160	3160	3160	3160	1900	1390	1140	1140	1140	1140	1140	M8-M30	
FPR-800-5-530	812.8	32	39	12	-2/8	-1 1/8	65	208	250	1300	3000	268.7	469.2	4560	4560	4560	2740	2010	1640	1410	1410	1410	1410	1410	M12-M36	
FPR-800-6-530	812.8	32	52	15	-3/8	-1 1/8	85	208	290	1300	3000	342.6	619.5	7300	7300	7300	7300	4380	3210	2630	2630	2630	2630	2630	M20-M48	
FPR-800-7-530	812.8	32	60	20	1/2	1 1/2	100	240	320	1300	3000	410.5	781.6	10680	10680	10680	10680	6410	4700	3840	3840	3840	3840	3840	M24-M56	
FPR-800-8-530	812.8	32	68	25	3/2	1 1/4	115	258	350	1400	3000	528.8	966.7	14800	14800	14800	14800	8880	6510	5330	5330	5330	5330	5330	M36-M64	
FPR-800-9-530	812.8	32	76	25	11	7/16	130	294	400	1400	3000	598.1	1118.1	19300	19300	19300	13000	11580	8490	6950	6950	6950	6950	6950	M36-M72	
FPR-800-10-530	812.8	32	86	30	26	1	140	330	450	1400	3000	792.0	1461.0	26700	26700	26700	26700	16200	11750	9610	9610	9610	9610	9610	M36-M80	
FPR-800-11-530	812.8	32	86	35	-10	-3/8	140	360	480	1500	3000	927.8	1686.8	36000	36000	36000	36000	21600	15840	12960	12960	12960	12960	12960	M36-M80	
FPR-800-12-530	812.8	32	86	40	-10	-3/8	140	390	500	1500	3000	1093.5	2151.3	46050	46050	46050	46050	27630	20260	16580	16580	16580	16580	16580	M36-M80	
FPR-800-13-530	812.8	32	86	40	-46	-1 13/16	140	466	550	1600	3000	1392.4	2458.0	56250	56250	56250	33750	24750	20250	20250	20250	20250	20250	20250	M36-M80	
FPR-800-4-560	812.8	32	33	10	-3/8	-1 1/2	55	188	240	1200	3000	243.0	439.9	3160	3160	3160	3160	3160	2480	1830	1830	1830	1830	1830	1830	M8-M30
FPR-800-5-560	812.8	32	39	12	-2/8	-1 1/8	65	208	250	1300	3000	304.4	536.8	4560	4560	4560	4560	4560	3560	2640	2640	2640	2640	2640	2640	M12-M36
FPR-800-6-560	812.8	32	52	15	-3/8	-1 1/8	85	220	290	1300	3000	381.6	687.5	7300	7300	7300	7300	7300	5690	4230	4230	4230	4230	4230	4230	M20-M48
FPR-800-7-560	812.8	32	60	20	1/2	1 1/2	100	240	350	1300	3000	482.9	855.9	10680	10680	10680	10680	10680	8330	6190	6190	6190	6190	6190	6190	M24-M56
FPR-800-8-560	812.8	32	68	25	3/2	1 1/4	115	280	380	1400	3000	580.3	1069.9	14800	14800	14800	14800	14800	11540	8580	8580	8580	8580	8580	8580	M36-M64
FPR-800-9-560	812.8	32	76	25	11	7/16	130	300	400	1400	3000	677.0	1266.6	19300	19300	19300	19300	19300	14300	13050	11190	11190	11190	11190	11190	M36-M72
FPR-800-10-560	812.8	32	86	30	26	1	140	350	450	1400	3000	810.3	1569.7	26700	26700	26700	26700	26700	20830	15490	15490	15490	15490	15490	15490	M36-M80
FPR-800-11-560	812.8	32	86	35	-10	-3/8	140	380	460	1500	3000	1029.5	1914.2	36000	36000	36000	36000	36000	28080	20880	20880	20880	20880	20880	20880	M36-M80
FPR-800-12-560	812.8	32	86	40	-10	-3/8	140	400	520	1500	3000	1263.5	2206.8	46050	46050	46050	46050	46050	35920	26710	26710	26710	26710	26710	26710	M36-M80
FPR-800-13-560	812.8	32	86	40	-46	-1 13/16	140	466	580	1600	3000	1419.3	2543.1	56250	56250	56250	56250	43880	32630	32630	32630	32630	32630	32630	M36-M80	
FPR-800-4-600	812.8	32	33	10	-3/8	-1 1/2	55	188	260	1300	3000	310.7	530.3	3160	3160	3160	3160	3160	3160	3160	3160	3160	3160	3160	3160	M8-M30
FPR-800-5-600	812.8	32	39	12	-2/8	-1 1/8	65	220	290	1300	3000	379.9	685.7	4560	4560	4560	4560	4560	4560	4560	4560	4560	4560	4560	4560	M12-M36
FPR-800-6-600	812.8	32	52	15	-3/8	-1 1/8	85	250	330	1300	3000	471.5	895.1	7300	7300	7300	7300	7300	7300	7300	7300	7300	7300	7300	7300	M20-M48
FPR-800-7-600	812.8	32	60	20	1/2	1 1/2	100	270	400	1300	3000	569.1	1070.7	10680	10680	10680	10680	10680	10680	10680	10680	10680	10680	10680	10680	M24-M56
FPR-800-8-600	812.8	32	68	25	3/2	1 1/4	115	330	430	1400	3000	749.3	1315.3	14800	14800	14800	14800	14800	14800	14800	14800	14800	14800	14800	14800	M36-M64
FPR-800-9-600	812.8	32	76	25	11	7/16	130	340	460	1400	3000	838.8	1559.6	19300	19300	19300	19300	19300	19300	19300	19300	19300	19300	19300	19300	M36-M72
FPR-800-10-600	812.8	32	86	30	26	1	140	400	460	1400	3000	991.9	1855.3	26700	26700	26700	26700	26700	26700	26700	26700	26700	26700	26700	26700	M36-M80
FPR-800-11-600	812.8	32	86	35	-10	-3/8	140	430	540	1500	3000	1244.6	2197.8	36000	36000	36000	36000	36000	36000	36000	36000	36000	36000	36000	36000	M36-M80
FPR-800-12-600	812.8	32	86	40	-10	-3/8	140	450	540	1500	3000	1456.7	2612.8	46050	46050	46050	46050	46050	46050	46050	46050	46050	46050	46050	46050	M36-M80
FPR-800-13-600	812.8	32	86	40	-46	-1 13/16	140	466	600	1600																

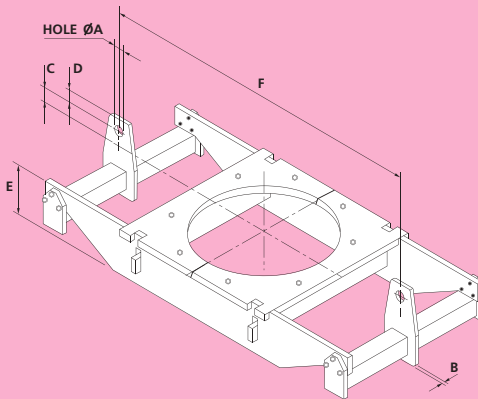
FPR RISER CLAMP FLAT PLATE TYPE



Material: Carbon Steel to 400°C Alloy Steel above 400°C End Beams and Lugs: Carbon Steel. Order by Part No. and Rod Centres "F"

Part Number	Pipe O/D		A	B	C	D	E	F		Weight kg		Load Capacity (kg) at Temperature C						Compatible with Rod Sizes					
	mm	in						Min.	Max.	Min.	Max.	350	400	490	530	560	600						
FPR-850-4-400	863.6	34	33	10	-38	-1 1/2	55	188	200	1300	3000	221.6	385.0	3160	3160							M8-M30	
FPR-850-5-400	863.6	34	39	12	-28	-1 1/8	65	208	240	1300	3000	282.4	478.5	4560	4560							M12-M36	
FPR-850-6-400	863.6	34	52	15	-3	-1 1/8	85	208	270	1300	3000	359.1	617.4	7300	7300							M20-M48	
FPR-850-7-400	863.6	34	60	20	12	1 1/2	100	230	300	1400	3000	437.6	780.0	10680	10680							M24-M56	
FPR-850-8-400	863.6	34	68	25	32	1 1/4	115	258	350	1400	3000	552.8	921.9	14800	14800							M36-M64	
FPR-850-9-400	863.6	34	76	25	11	7/16	130	294	380	1500	3000	648.9	1134.6	19300	19300							M36-M72	
FPR-850-10-400	863.6	34	86	30	26	1	140	300	420	1500	3000	763.2	1386.8	26700	26700							M36-M80	
FPR-850-11-400	863.6	34	86	35	-10	-3/8	140	380	470	1500	3000	1005.7	1751.1	36000	36000							M36-M80	
FPR-850-12-400	863.6	34	86	40	-10	-3/8	140	390	490	1500	3000	1152.3	2190.0	46050	46050							M36-M80	
FPR-850-13-400	863.6	34	86	40	-46	+1 3/16	140	466	540	1600	3000	1446.3	2506.1	56250	56250							M36-M80	
FPR-850-14-400	863.6	34	86	40	-38	-1 1/2	55	188	190	1300	3000	221.6	373.6	3160	3160	3160	3160	2050	1230	880	760	M8-M30	
FPR-850-5-490	863.6	34	39	12	-28	-1 1/8	65	208	230	1300	3000	282.4	467.1	4560	4560	4560	4560	2960	1780	1280	1090	M12-M36	
FPR-850-6-490	863.6	34	52	15	-3	-1 1/8	85	208	270	1300	3000	359.1	617.4	7300	7300	7300	7300	4750	2850	2040	1750	M20-M48	
FPR-850-7-490	863.6	34	60	20	12	1 1/2	100	230	300	1400	3000	437.6	780.0	10680	10680	10680	10680	6940	4170	2990	2560	M24-M56	
FPR-850-8-490	863.6	34	68	25	32	1 1/4	115	258	350	1400	3000	552.8	921.9	14800	14800	14800	14800	9620	5770	4140	3550	M36-M64	
FPR-850-9-490	863.6	34	76	25	11	7/16	130	294	380	1500	3000	648.9	1134.6	19300	19300	19300	19300	12550	7530	5400	4630	M36-M72	
FPR-850-10-490	863.6	34	86	30	26	1	140	300	420	1500	3000	763.2	1386.8	26700	26700	26700	26700	17390	10410	7480	6410	M36-M80	
FPR-850-11-490	863.6	34	86	35	-10	-3/8	140	380	460	1500	3000	993.8	1728.5	36000	36000	36000	36000	23400	14040	10080	8540	M36-M80	
FPR-850-12-490	863.6	34	86	40	-10	-3/8	140	380	480	1500	3000	1141.4	2162.8	46050	46050	46050	46050	29930	17960	12880	11050	M36-M80	
FPR-850-13-490	863.6	34	86	40	-46	+1 3/16	140	466	530	1600	3000	1352.4	2047.7	56250	56250	56250	56250	21940	15750	13500		M36-M80	
FPR-850-4-530	863.6	34	33	10	-38	-1 1/2	55	188	210	1300	3000	226.2	395.8	3160	3160	3160	3160	1900	1390	1140		M8-M30	
FPR-850-5-530	863.6	34	39	12	-28	-1 1/8	65	208	250	1300	3000	287.5	489.4	4560	4560	4560	4560	2740	2010	1640		M12-M36	
FPR-850-6-530	863.6	34	52	15	-3	-1 1/8	85	208	290	1300	3000	365.5	644.2	7300	7300	7300	7300	4390	3210	2630		M20-M48	
FPR-850-7-530	863.6	34	60	20	12	1 1/2	100	240	320	1400	3000	444.3	811.5	10680	10680	10680	10680	6410	4700	3840		M24-M56	
FPR-850-8-530	863.6	34	68	25	32	1 1/4	115	260	350	1400	3000	568.7	1022.0	14800	14800	14800	14800	8880	6510	5330		M36-M64	
FPR-850-9-530	863.6	34	76	25	11	7/16	130	300	400	1500	3000	665.5	1171.1	19300	19300	19300	19300	11580	8490	6950		M36-M72	
FPR-850-10-530	863.6	34	86	30	26	1	140	340	440	1500	3000	864.0	1494.5	26700	26700	26700	26700	16020	11750	9610		M36-M80	
FPR-850-11-530	863.6	34	86	35	-10	-3/8	140	380	480	1500	3000	1016.6	1774.9	36000	36000	36000	36000	21600	15840	12960		M36-M80	
FPR-850-12-530	863.6	34	86	40	-10	-3/8	140	400	500	1500	3000	1164.2	2218.8	46050	46050	46050	46050	27630	20280	16580		M36-M80	
FPR-850-13-530	863.6	34	86	40	-46	+1 3/16	140	466	550	1600	3000	1460.5	2533.7	56250	56250	56250	56250	33750	24750	20250		M36-M80	
FPR-850-4-560	863.6	34	33	10	-38	-1 1/2	55	188	240	1300	3000	265.1	459.4	3160	3160	3160	3160	3160	2460	1830		M8-M30	
FPR-850-5-560	863.6	34	39	12	-28	-1 1/8	65	208	250	1300	3000	321.4	557.9	4560	4560	4560	4560	4560	3560	2640		M12-M36	
FPR-850-6-560	863.6	34	52	15	-3	-1 1/8	85	230	290	1300	3000	413.7	713.3	7300	7300	7300	7300	7300	5690	4230		M20-M48	
FPR-850-7-560	863.6	34	60	20	12	1 1/2	100	250	350	1400	3000	529.7	896.3	10680	10680	10680	10680	10680	8330	6190		M24-M56	
FPR-850-8-560	863.6	34	68	25	32	1 1/4	115	290	380	1400	3000	623.1	1109.1	14800	14800	14800	14800	14800	14800	11540	8580		M36-M64
FPR-850-9-560	863.6	34	76	25	11	7/16	130	300	400	1500	3000	742.6	1324.7	19300	19300	19300	19300	13900	10500			M36-M72	
FPR-850-10-560	863.6	34	86	30	26	1	140	330	450	1500	3000	925.8	1624.4	26700	26700	26700	26700	26700	20330	15490		M36-M80	
FPR-850-11-560	863.6	34	86	35	-10	-3/8	140	390	470	1500	3000	1125.9	2107.9	36000	36000	36000	36000	28080	20880			M36-M80	
FPR-850-12-560	863.6	34	86	40	-10	-3/8	140	410	520	1600	3000	1365.3	2274.9	46050	46050	46050	46050	46050	35920	26710		M36-M80	
FPR-850-13-560	863.6	34	86	40	-46	+1 3/16	140	466	570	1600	3000	1501.0	2590.5	56250	56250	56250	56250	56250	43880	32630		M36-M80	
FPR-850-4-600	863.6	34	33	10	-38	-1 1/2	55	190	270	1300	3000	338.4	594.8	3160	3160	3160	3160	3160	3160	3160		M8-M30	
FPR-850-5-600	863.6	34	39	12	-28	-1 1/8	65	230	280	1300	3000	411.9	696.3	4560	4560	4560	4560	4560	4560	4560		M12-M36	
FPR-850-6-600	863.6	34	52	15	-3	-1 1/8	85	260	330	1400	3000	519.0	929.1	7300	7300	7300	7300	7300	7300	7300		M20-M48	
FPR-850-7-600	863.6	34	60	20	12	1 1/2	100	280	400	1400	3000	625.4	1106.1	10680	10680	10680	10680	10680	10680	10680		M24-M56	
FPR-850-8-600	863.6	34	68	25	32	1 1/4	115	340	430	1500	3000	819.7	1368.5	14800	14800	14800	14800	14800	14800	14800		M36-M64	
FPR-850-9-600	863.6	34	76	25	11	7/16	130	350	450	1500	3000	927.4	1633.3	19300	19300	19300	19300	19300	19300	19300		M36-M72	
FPR-850-10-600	863.6	34	86	30	26	1	140	380	470	1500	3000	1135.3	2009.7	26700	26700	26700	26700	26700	26700	26700		M36-M80	
FPR-850-11-600	863.6	34	86	35	-10	-3/8	140	440	540	1600	3000	1379.5	2327.9	36000	36000	36000	36000	36000	36000	36000		M36-M80	
FPR-850-12-600	863.6	34	86	40	-10	-3/8	140	460	600	1600	3000	1575.1	2568.4	46050	46050	46050	46050	46050	46050	46050		M36-M80	
FPR-850-13-600	863.6	34	86	40	-46	+1 3/16	140	466	600	1700	3000	1925.4	3076.1	56250	56250	56250	56250	56250	56250	56250		M36-M80	

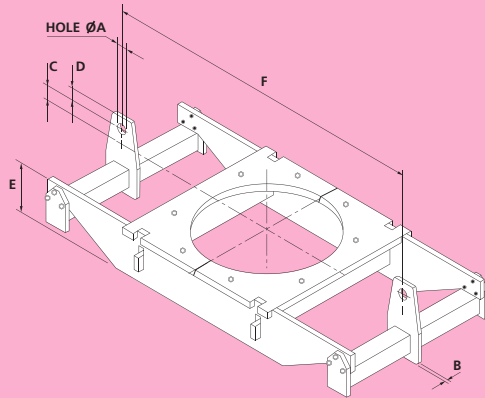
FPR RISER CLAMP FLAT PLATE TYPE



Material: Carbon Steel to 400°C Alloy Steel above 400°C End Beams and Lugs: Carbon Steel. Order by Part No. and Rod Centres "F"

Part Number	Pipe O/D		A	B	C	D	E	F	Weight kg		Load Capacity (kg) at Temperature C							Compatible with Rod Sizes							
	mm	in							Min.	Max.	350	400	450	530	560	580	600								
FPR-900-4-400	914.4	36	33	10	-3/8	-1 1/2	55	188	190	1400	3000	241.2	391.0	316.0	316.0									M8-M30	
FPR-900-5-400	914.4	36	39	12	-2/8	-1 1/8	65	208	230	1400	3000	307.1	489.1	456.0	456.0									M12-M36	
FPR-900-6-400	914.4	36	52	15	-3/8	-1 1/8	85	208	270	1400	3000	389.7	644.3	730.0	730.0									M20-M48	
FPR-900-7-400	914.4	36	60	20	1/2	1 1/2	100	240	300	1400	3000	473.8	811.5	1068.0	1068.0									M24-M56	
FPR-900-8-400	914.4	36	68	25	3/4	1 1/4	115	258	350	1500	3000	603.9	958.3	1480.0	1480.0									M36-M64	
FPR-900-9-400	914.4	36	76	25	11/16	7/16	130	294	390	1500	3000	696.4	1177.6	1930.0	1930.0									M36-M72	
FPR-900-10-400	914.4	36	86	30	2/8	1	140	324	420	1600	3000	849.3	1463.7	2670.0	2670.0									M36-M80	
FPR-900-11-400	914.4	36	86	35	-10	-3/8	140	390	460	1600	3000	1076.1	1787.3	3600.0	3600.0									M36-M80	
FPR-900-12-400	914.4	36	86	40	-10	-3/8	140	400	480	1600	3000	1246.8	2234.0	4605.0	4605.0									M36-M80	
FPR-900-13-400	914.4	36	86	40	-4/8	-1 1/8	140	466	540	1700	3000	1555.5	2586.0	5625.0	5625.0									M36-M80	
FPR-900-4-490	914.4	36	33	10	-3/8	-1 1/2	55	188	190	1400	3000	241.2	391.0	316.0	316.0	316.0	316.0	205.0	123.0	89.0	76.0	76.0	76.0	M8-M30	
FPR-900-5-490	914.4	36	39	12	-2/8	-1 1/8	65	208	230	1400	3000	307.1	489.1	456.0	456.0	456.0	296.0	178.0	128.0	109.0	112.0	109.0	112.0	M12-M36	
FPR-900-6-490	914.4	36	52	15	-3/8	-1 1/8	85	208	270	1400	3000	389.7	644.3	730.0	730.0	730.0	475.0	285.0	204.0	175.0	202.0	204.0	175.0	M20-M48	
FPR-900-7-490	914.4	36	60	20	1/2	1 1/2	100	240	300	1400	3000	466.9	811.5	1068.0	1068.0	1068.0	694.0	417.0	290.0	250.0	250.0	250.0	250.0	M24-M56	
FPR-900-8-490	914.4	36	68	25	3/4	1 1/4	115	258	350	1500	3000	603.9	958.3	1480.0	1480.0	1480.0	962.0	573.0	414.0	355.0	368.0	355.0	355.0	M36-M64	
FPR-900-9-490	914.4	36	76	25	11/16	7/16	130	294	370	1500	3000	696.4	1158.7	1930.0	1930.0	1930.0	1255.0	753.0	540.0	463.0	463.0	463.0	463.0	M36-M72	
FPR-900-10-490	914.4	36	86	30	2/8	1	140	324	410	1600	3000	849.3	1442.2	2670.0	2670.0	2670.0	1736.0	1041.0	740.0	610.0	610.0	610.0	610.0	M36-M80	
FPR-900-11-490	914.4	36	86	35	-10	-3/8	140	390	460	1600	3000	1076.1	1787.3	3600.0	3600.0	3600.0	2340.0	1404.0	1008.0	844.0	844.0	844.0	844.0	M36-M80	
FPR-900-12-490	914.4	36	86	40	-10	-3/8	140	400	480	1600	3000	1234.3	2234.0	4605.0	4605.0	4605.0	2930.0	1796.0	1289.0	1105.0	1105.0	1105.0	1105.0	M36-M80	
FPR-900-13-490	914.4	36	86	40	-4/8	-1 1/8	140	466	530	1700	3000	1555.5	2556.9	5625.0	5625.0	5625.0	3650.0	2194.0	1575.0	1350.0	1350.0	1350.0	1350.0	M36-M80	
FPR-900-4-530	914.4	36	33	10	-3/8	-1 1/2	55	188	210	1400	3000	246.1	413.4	316.0	316.0	316.0	316.0	190.0	139.0	114.0	114.0	114.0	114.0	M8-M30	
FPR-900-5-530	914.4	36	39	12	-2/8	-1 1/8	65	208	250	1400	3000	312.5	511.6	456.0	456.0	456.0	456.0	274.0	201.0	164.0	164.0	164.0	164.0	M12-M36	
FPR-900-6-530	914.4	36	52	15	-3/8	-1 1/8	85	208	280	1400	3000	396.6	658.2	730.0	730.0	730.0	730.0	438.0	321.0	263.0	263.0	263.0	263.0	M20-M48	
FPR-900-7-530	914.4	36	60	20	1/2	1 1/2	100	250	310	1400	3000	480.1	827.0	1068.0	1068.0	1068.0	1068.0	611.0	470.0	384.0	384.0	384.0	384.0	M24-M56	
FPR-900-8-530	914.4	36	68	25	3/4	1 1/4	115	270	340	1500	3000	620.8	1042.3	1480.0	1480.0	1480.0	1480.0	888.0	651.0	530.0	530.0	530.0	530.0	M36-M64	
FPR-900-9-530	914.4	36	76	25	11/16	7/16	130	294	390	1500	3000	731.8	1195.5	1930.0	1930.0	1930.0	1930.0	1158.0	849.0	695.0	695.0	695.0	695.0	M36-M72	
FPR-900-10-530	914.4	36	86	30	2/8	1	140	340	440	1600	3000	949.8	1579.3	2670.0	2670.0	2670.0	2670.0	1620.0	1175.0	961.0	961.0	961.0	961.0	M36-M80	
FPR-900-11-530	914.4	36	86	35	-10	-3/8	140	380	470	1600	3000	1100.2	1810.2	3600.0	3600.0	3600.0	3600.0	2160.0	1584.0	1296.0	1296.0	1296.0	1296.0	M36-M80	
FPR-900-12-530	914.4	36	86	40	-10	-3/8	140	380	490	1600	3000	1323.6	2261.5	4605.0	4605.0	4605.0	4605.0	2763.0	2026.0	1658.0	1658.0	1658.0	1658.0	M36-M80	
FPR-900-13-530	914.4	36	86	40	-4/8	-1 1/8	140	466	540	1700	3000	1569.3	2586.4	5625.0	5625.0	5625.0	5625.0	3375.0	2475.0	2025.0	2025.0	2025.0	2025.0	M36-M80	
FPR-900-4-560	914.4	36	33	10	-3/8	-1 1/2	55	188	230	1400	3000	294.4	469.3	316.0	316.0	316.0	316.0	316.0	248.0	183.0	183.0	183.0	183.0	M8-M30	
FPR-900-5-560	914.4	36	39	12	-2/8	-1 1/8	65	208	250	1400	3000	381.7	581.0	456.0	456.0	456.0	456.0	356.0	264.0	211.0	211.0	211.0	211.0	M12-M36	
FPR-900-6-560	914.4	36	52	15	-3/8	-1 1/8	85	240	290	1400	3000	456.2	775.3	730.0	730.0	730.0	730.0	730.0	569.0	423.0	342.0	342.0	342.0	342.0	M20-M48
FPR-900-7-560	914.4	36	60	20	1/2	1 1/2	100	250	350	1500	3000	572.6	925.2	1068.0	1068.0	1068.0	1068.0	1068.0	833.0	619.0	510.0	510.0	510.0	510.0	M24-M56
FPR-900-8-560	914.4	36	68	25	3/4	1 1/4	115	300	370	1500	3000	680.9	1132.5	1480.0	1480.0	1480.0	1480.0	1480.0	1154.0	858.0	703.0	703.0	703.0	703.0	M36-M64
FPR-900-9-560	914.4	36	76	25	11/16	7/16	130	310	390	1500	3000	795.4	1351.5	1930.0	1930.0	1930.0	1930.0	1930.0	1300.0	1050.0	1119.0	1119.0	1119.0	1119.0	M36-M72
FPR-900-10-560	914.4	36	86	30	2/8	1	140	340	440	1600	3000	1030.6	1688.7	2670.0	2670.0	2670.0	2670.0	2670.0	2083.0	1549.0	1300.0	1300.0	1300.0	1300.0	M36-M80
FPR-900-11-560	914.4	36	86	35	-10	-3/8	140	400	460	1600	3000	1219.2	2149.0	3600.0	3600.0	3600.0	3600.0	2808.0	2088.0	1800.0	1800.0	1800.0	1800.0	M36-M80	
FPR-900-12-560	914.4	36	86	40	-10	-3/8	140	420	510	1600	3000	1451.8	2318.1	4605.0	4605.0	4605.0	4605.0	4605.0	3592.0	2671.0	2300.0	2300.0	2300.0	2300.0	M36-M80
FPR-900-13-560	914.4	36	86	40	-4/8	-1 1/8	140	466	570	1700	3000	1645.2	2671.5	5625.0	5625.0	5625.0	5625.0	4388.0	3263.0	2800.0	2800.0	2800.0	2800.0	M36-M80	
FPR-900-4-600	914.4	36	33	10	-3/8	-1 1/2	55	190	260	1400	3000	368.4	607.8	316.0	316.0	316.0	316.0	316.0	316.0	316.0	316.0	316.0	316.0	316.0	M8-M30
FPR-900-5-600	914.4	36	39	12	-2/8	-1 1/8	65	230	280	1400	3000	447.6	723.7	456.0	456.0	456.0	456.0	456.0	356.0	264.0	211.0	211.0	211.0	211.0	M12-M36
FPR-900-6-600	914.4	36	52	15	-3/8	-1 1/8	85	260	350	1400	3000	552.9	904.8	730.0	730.0	730.0	730.0	730.0	730.0	730.0	730.0	730.0	730.0	730.0	M20-M48
FPR-900-7-600	914.4	36	60	20	1/2	1 1/2	100	290	390	1500	3000	718.9	1132.9	1068.0	1068.0	1068.0	1068.0	1068.0	1068.0	1068.0	1068.0	1068.0	1068.0	1068.0	M24-M56
FPR-900-8-600	914.4	36	68	25	3/4	1 1/4	115	350	420	1500	3000	879.3	1386.3	1480.0	1480.0	1480.0	1480.0	1480.0	1480.0	1480.0	1480.0	1480.0	1480.0	1480.0	M36-M64
FPR-900-9-600	914.4	36	76	25	11/16	7/16	130	350	450	1500	3000	980.6	1607.7	1930.0	1930.0	1930.0	1930.0	1930.0	1930.0	1930.0	1930.0	1930.0	1930.0	1930.0	M36-M72
FPR-900-10-600	914.4	36	86	30	2/8	1	140	380	460	1600	3000	1245.3	2087.5	2670.0	2670.0	2670.0	2670.0	2670.0	2670.0	2670.0	2670.0	2670.0	2670.0	2670.0	M36-M80
FPR-900-11-600	914.4	36	86	35	-10	-3/8	140	450	540	1600	3000	1464.3	2451.9	3600.0	3600.0	3600.0	3600.0	3600.0	3600.0	3600.0	3600.0	3600.0	3600.0	3600.0	M36-M80
FPR-900-12-600	914.4	36	86	40	-10	-3/8	140	470	600	1600	3000	1671.4	2726.7	4605.0	4605.0	4605.0	4605.0	4605.0	4605.0	4605.0	4605.0	4605.0	4605.0	4605.0	M36-M80
FPR-900-13-600	914.4	36	86	40	-4/8	-1 1/8	140	466	590	1700	3000														

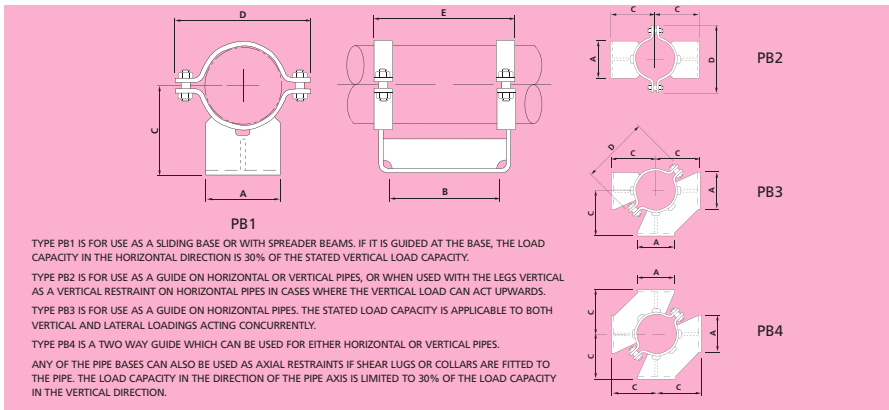
FPR RISER CLAMP FLAT PLATE TYPE



Material: Carbon Steel to 400°C Alloy Steel above 400°C End Beams and Lugs: Carbon Steel. Order by Part No. and Rod Centres "F"

Part Number	Pipe O/D		A	B	C	D	E	F				Load Capacity (kg) at Temperature C							Compatible with Rod Sizes							
	mm	in						Min.	Max.	Min.	Max.	Min.	Max.	350	400	490	530	590		580	600					
FPR-950-4-400	95.2	38	33	10	-38	-1 1/2	55	188	190	1400	3000	258.2	409.1	3160	3160										M8-M30	
FPR-950-5-400	95.2	38	39	12	-28	-1 1/8	65	208	230	1400	3000	334.2	512.0	4560	4560										M12-M36	
FPR-950-6-400	95.2	38	52	15	-3	-1 1/8	85	228	280	1500	3000	443.6	675.7	7300	7300										M20-M48	
FPR-950-7-400	95.2	38	60	20	12	1/2	100	258	300	1500	3000	536.3	873.3	10680	10680										M24-M56	
FPR-950-8-400	95.2	38	68	25	32	1 1/4	115	260	350	1600	3000	658.3	996.7	14800	14800										M36-M64	
FPR-950-9-400	95.2	38	76	25	11	7/16	130	300	370	1600	3000	757.1	1202.7	19300	19300										M36-M72	
FPR-950-10-400	95.2	38	86	30	26	1	140	324	410	1600	3000	907.1	1493.8	26700	26700										M36-M80	
FPR-950-11-400	95.2	38	86	35	-10	-3/8	140	390	460	1700	3000	1160.2	1849.3	36000	36000										M36-M80	
FPR-950-12-400	95.2	38	86	40	-10	-3/8	140	390	480	1700	3000	1411.9	2306.8	46050	46050										M36-M80	
FPR-950-13-400	95.2	38	86	40	-46	-1 13/16	140	466	530	1700	3000	1646.2	2641.0	56250	56250										M36-M80	
FPR-950-13-490	95.2	38	33	10	-38	-1 1/2	55	188	190	1400	3000	258.2	409.1	3160	3160	3160	3160	2050	1230	880	760				M8-M30	
FPR-950-5-490	95.2	38	39	12	-28	-1 1/8	65	208	230	1400	3000	328.7	512.0	4560	4560	4560	4560	2960	1780	1280	1090				M12-M36	
FPR-950-6-490	95.2	38	52	15	-3	-1 1/8	85	228	280	1500	3000	443.6	675.7	7300	7300	7300	7300	4750	2850	2040	1750				M20-M48	
FPR-950-7-490	95.2	38	60	20	12	1/2	100	258	300	1500	3000	536.3	856.6	10680	10680	10680	10680	6940	4170	2990	2560				M24-M56	
FPR-950-8-490	95.2	38	68	25	32	1 1/4	115	260	340	1600	3000	658.3	990.9	14800	14800	14800	14800	9620	5770	4140	3550				M36-M64	
FPR-950-9-490	95.2	38	76	25	11	7/16	130	294	370	1600	3000	747.8	1202.7	19300	19300	19300	19300	12550	7530	5400	4630				M36-M72	
FPR-950-10-490	95.2	38	86	30	26	1	140	324	410	1600	3000	907.1	1493.8	26700	26700	26700	26700	17390	10410	7480	6410				M36-M80	
FPR-950-11-490	95.2	38	86	35	-10	-3/8	140	390	450	1700	3000	1160.2	1825.0	36000	36000	36000	36000	23400	14040	10080	8540				M36-M80	
FPR-950-12-490	95.2	38	86	40	-10	-3/8	140	400	470	1700	3000	1331.2	2279.4	46050	46050	46050	46050	29930	17960	12880	11050				M36-M80	
FPR-950-13-490	95.2	38	86	40	-46	-1 13/16	140	466	530	1700	3000	1632.2	2641.0	56250	56250	56250	56250	36560	21940	15750	13500				M36-M80	
FPR-950-4-530	95.2	38	33	10	-38	-1 1/2	55	188	200	1400	3000	263.2	420.7	3160	3160	3160	3160	1900	1140	1390	1140				M8-M30	
FPR-950-5-530	95.2	38	39	12	-28	-1 1/8	65	208	240	1400	3000	339.3	523.7	4560	4560	4560	4560	2740	2010	1640	1640				M12-M36	
FPR-950-6-530	95.2	38	52	15	-3	-1 1/8	85	228	280	1500	3000	450.3	703.2	7300	7300	7300	7300	4390	3210	2530	2530				M20-M48	
FPR-950-7-530	95.2	38	60	20	12	1/2	100	258	310	1600	3000	588.4	889.0	10680	10680	10680	10680	6480	4170	3840	3840				M24-M56	
FPR-950-8-530	95.2	38	68	25	32	1 1/4	115	270	340	1600	3000	666.8	1081.3	14800	14800	14800	14800	8880	6510	5330	5330				M36-M64	
FPR-950-9-530	95.2	38	76	25	11	7/16	130	294	380	1600	3000	785.2	1221.8	19300	19300	19300	19300	11580	8490	6950	6950				M36-M72	
FPR-950-10-530	95.2	38	86	30	26	1	140	350	430	1600	3000	1014.6	1617.5	26700	26700	26700	26700	16020	11750	9610	9610				M36-M80	
FPR-950-11-530	95.2	38	86	35	-10	-3/8	140	380	470	1700	3000	1277.1	1872.3	36000	36000	36000	36000	21600	15840	12960	12960				M36-M80	
FPR-950-12-530	95.2	38	86	40	-10	-3/8	140	390	480	1700	3000	1425.6	2308.8	46050	46050	46050	46050	27630	20280	16580	16580				M36-M80	
FPR-950-13-530	95.2	38	86	40	-46	-1 13/16	140	466	540	1700	3000	1661.4	2670.7	56250	56250	56250	56250	33750	24750	20250	20250				M36-M80	
FPR-950-4-560	95.2	38	33	10	-38	-1 1/2	55	188	230	1400	3000	315.4	491.5	3160	3160	3160	3160	3160	3160	2460	1830				M8-M30	
FPR-950-5-560	95.2	38	39	12	-28	-1 1/8	65	208	240	1500	3000	419.7	591.7	4560	4560	4560	4560	4560	3560	2640	2140	2140				M12-M36
FPR-950-6-560	95.2	38	52	15	-3	-1 1/8	85	240	280	1500	3000	508.8	809.7	7300	7300	7300	7300	7300	7300	5690	4230				M20-M48	
FPR-950-7-560	95.2	38	60	20	12	1/2	100	260	340	1600	3000	653.6	1083.7	10680	10680	10680	10680	10680	10680	8330	6190				M24-M56	
FPR-950-8-560	95.2	38	68	25	32	1 1/4	115	300	370	1600	3000	732.1	1175.7	14800	14800	14800	14800	14800	14800	11540	8580				M36-M64	
FPR-950-9-560	95.2	38	76	25	11	7/16	130	320	390	1600	3000	865.1	1401.9	19300	19300	19300	19300	19300	19300	15050	11190				M36-M72	
FPR-950-10-560	95.2	38	86	30	26	1	140	340	430	1600	3000	1086.0	1725.5	26700	26700	26700	26700	26700	26700	20830	15490				M36-M80	
FPR-950-11-560	95.2	38	86	35	-10	-3/8	140	400	500	1700	3000	1302.4	2025.3	36000	36000	36000	36000	36000	36000	28080	20880				M36-M80	
FPR-950-12-560	95.2	38	86	40	-10	-3/8	140	430	500	1700	3000	1564.4	2365.9	46050	46050	46050	46050	46050	46050	35920	26710				M36-M80	
FPR-950-13-560	95.2	38	86	40	-46	-1 13/16	140	466	560	1700	3000	1740.1	2728.5	56250	56250	56250	56250	56250	56250	43880	32630				M36-M80	
FPR-950-4-600	95.2	38	33	10	-38	-1 1/2	55	200	260	1400	3000	400.8	635.0	3160	3160	3160	3160	3160	3160	3160	3160				M8-M30	
FPR-950-5-600	95.2	38	39	12	-28	-1 1/8	65	240	270	1500	3000	492.0	736.1	4560	4560	4560	4560	4560	4560	4560	4560				M12-M36	
FPR-950-6-600	95.2	38	52	15	-3	-1 1/8	85	260	350	1500	3000	614.2	960.0	7300	7300	7300	7300	7300	7300	7300	7300				M20-M48	
FPR-950-7-600	95.2	38	60	20	12	1/2	100	290	380	1600	3000	803.5	1190.1	10680	10680	10680	10680	10680	10680	10680	10680				M24-M56	
FPR-950-8-600	95.2	38	68	25	32	1 1/4	115	350	410	1600	3000	947.0	1415.0	14800	14800	14800	14800	14800	14800	14800	14800				M36-M64	
FPR-950-9-600	95.2	38	76	25	11	7/16	130	360	440	1600	3000	1064.4	1698.4	19300	19300	19300	19300	19300	19300	19300	19300				M36-M72	
FPR-950-10-600	95.2	38	86	30	26	1	140	390	460	1700	3000	1345.5	2160.1	26700	26700	26700	26700	26700	26700	26700	26700				M36-M80	
FPR-950-11-600	95.2	38	86	35	-10	-3/8	140	420	520	1700	3000	1595.6	2505.3	36000	36000	36000	36000	36000	36000	36000	36000				M36-M80	
FPR-950-12-600	95.2	38	86	40	-10	-3/8	140	480	580	1700	3000	1802.1	2790.9	46050	46050	46050	46050	46050	46050	46050	46050				M36-M80	
FPR-950-13-600	95.2	38	86	40	-46	-1 13/16	140	466	580	1800	3000	2112.3	3198.5	56250	56250	56250	56250	56250	56250	56250	56250				M36-M80	

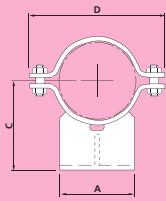
PB PIPE CLAMP BASE FOR USE AS A SLIDING BASE OR WITH TYPE 487 SPREADER BEAMS



Material: Carbon Steel to 400°C Alloy Steel above 400°C Base Plate Weldable Carbon Steel

Part No. (Type PB1)	Pipe OD		A		B		C		D		E		Max. Temp.	Max Lapping Thick.	Weight				Load Capacity (See Notes)
	mm	in	mm	mm	mm	in	mm	mm	mm	mm	C	mm			PB1 kgf	PB2 kgf	PB3 kgf	PB4 kgf	
For Multi-Leg types, replace PB1 with PB2, PB3 or PB4																			
PB1-15-1-400	21.3	0.839	50	150	90	3 ⁹ / ₁₆	96	185	400	75	1.7	3.0	4.2	5.4	6.2	8.0	360		
PB1-15-1-530	21.3	0.839	70	150	110	4 ⁵ / ₁₆	96	190	530	95	2.6	4.4	6.2	8.0	360				
PB1-15-1-600	21.3	0.839	80	150	140	5 ¹ / ₂	96	190	600	125	3.0	5.4	7.7	10	360				
PB1-20-1-400	26.7	1.051	50	150	90	3 ⁹ / ₁₆	106	185	400	75	1.8	3.0	4.2	5.4	360				
PB1-20-1-530	26.7	1.051	70	150	110	4 ⁵ / ₁₆	106	190	530	95	2.6	4.5	6.3	8.1	360				
PB1-20-1-600	26.7	1.051	80	150	140	5 ¹ / ₂	106	190	600	125	3.1	5.4	7.7	10	360				
PB1-25-1-400	33.4	1.315	50	150	90	3 ⁹ / ₁₆	116	185	400	70	1.9	3.1	4.3	5.5	360				
PB1-25-1-530	33.4	1.315	70	150	120	4 ³ / ₄	116	190	530	100	2.8	4.7	6.5	8.4	360				
PB1-25-1-600	33.4	1.315	80	150	140	5 ¹ / ₂	116	190	600	120	3.2	5.5	7.8	10	360				
PB1-32-1-400	42.2	1.661	60	150	100	3 ¹⁵ / ₁₆	126	185	400	75	2.2	3.7	5.2	6.7	360				
PB1-32-1-530	42.2	1.661	70	150	120	4 ³ / ₄	126	190	530	95	2.9	4.7	6.6	8.4	360				
PB1-32-1-600	42.2	1.661	90	150	150	5 ⁷ / ₈	126	190	600	125	3.7	6.3	8.9	12	360				
PB1-40-1-400	48.3	1.902	60	150	100	3 ¹⁵ / ₁₆	126	185	400	75	2.2	3.7	5.2	6.6	360				
PB1-40-1-530	48.3	1.902	80	150	130	5 ¹ / ₈	136	190	530	105	3.3	5.5	7.7	9.9	360				
PB1-40-1-600	48.3	1.902	90	150	150	5 ⁷ / ₈	136	190	600	125	3.7	6.4	9.0	12	360				
PB1-50-2-400	60.3	2.375	70	150	110	4 ⁵ / ₁₆	146	203	400	75	2.7	4.4	6.2	8.0	530				
PB1-50-2-530	60.3	2.375	80	150	130	5 ¹ / ₈	146	208	530	95	3.4	5.6	7.7	9.9	530				
PB1-50-2-600	60.3	2.375	100	150	160	6 ⁵ / ₁₆	146	208	600	125	4.2	7.2	10	13	530				
PB1-65-2-400	73	2.875	70	200	110	4 ⁵ / ₁₆	166	253	400	70	3.1	5.2	7.2	9.3	530				
PB1-65-2-530	73	2.875	80	200	140	5 ¹ / ₂	166	258	530	100	4.0	6.6	9.2	12	530				
PB1-65-2-600	73	2.875	100	200	160	6 ⁵ / ₁₆	176	268	600	120	6.5	9.9	13	17	530				
PB1-80-2-400	88.9	3.500	100	200	160	6 ⁵ / ₁₆	176	253	400	115	4.5	7.9	11	15	530				
PB1-80-2-530	88.9	3.500	100	200	170	6 ¹¹ / ₁₆	176	258	530	125	5.0	8.5	12	15	530				
PB1-80-2-600	88.9	3.500	110	200	180	7 ¹ / ₈	196	268	600	135	7.5	11	15	19	530				
PB1-90-2-400	101.6	4.000	100	200	160	6 ⁵ / ₁₆	186	253	400	105	4.6	8.0	11	15	530				
PB1-90-2-530	101.6	4.000	110	200	180	7 ¹ / ₈	196	258	530	125	5.7	9.6	13	17	530				
PB1-90-2-600	101.6	4.000	110	200	190	7 ¹ / ₂	206	268	600	135	7.8	12	16	20	530				
PB1-100-3-400	114.3	4.500	100	200	170	6 ¹¹ / ₁₆	206	253	400	110	4.8	8.2	12	15	1010				
PB1-100-3-530	114.3	4.500	110	200	190	7 ¹ / ₂	206	264	530	130	7.3	13	18	24	1010				
PB1-100-3-600	114.3	4.500	120	200	200	7 ⁷ / ₈	226	274	600	140	10	16	22	28	1010				
PB1-125-3-400	141.3	5.563	110	200	180	7 ¹ / ₈	226	253	400	105	5.4	9.2	13	17	1010				
PB1-125-3-530	141.3	5.563	120	200	200	7 ⁷ / ₈	236	264	530	125	8.2	14	20	26	1010				

PB PIPE CLAMP BASE FOR USE AS A SLIDING BASE OR WITH TYPE 487 SPREADER BEAMS



PB1

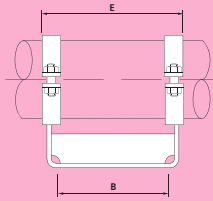
TYPE PB1 IS FOR USE AS A SLIDING BASE OR WITH SPREADER BEAMS. IF IT IS GUIDED AT THE BASE, THE LOAD CAPACITY IN THE HORIZONTAL DIRECTION IS 30% OF THE STATED VERTICAL LOAD CAPACITY.

TYPE PB2 IS FOR USE AS A GUIDE ON HORIZONTAL OR VERTICAL PIPES, OR WHEN USED WITH THE LEGS VERTICAL AS A VERTICAL RESTRAINT ON HORIZONTAL PIPES IN CASES WHERE THE VERTICAL LOAD CAN ACT UPWARDS.

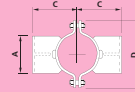
TYPE PB3 IS FOR USE AS A GUIDE ON HORIZONTAL PIPES. THE STATED LOAD CAPACITY IS APPLICABLE TO BOTH VERTICAL AND LATERAL LOADINGS ACTING CONCURRENTLY.

TYPE PB4 IS A TWO WAY GUIDE WHICH CAN BE USED FOR EITHER HORIZONTAL OR VERTICAL.

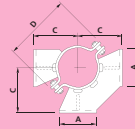
ANY OF THE PIPE BASES CAN ALSO BE USED AS AXIAL RESTRAINTS IF SHEAR LUGS OR COLLARS ARE FITTED TO THE PIPE. THE LOAD CAPACITY IN THE DIRECTION OF THE PIPE AXIS IS LIMITED TO 30% OF THE LOAD CAPACITY IN THE VERTICAL DIRECTION.



PB2



PB3

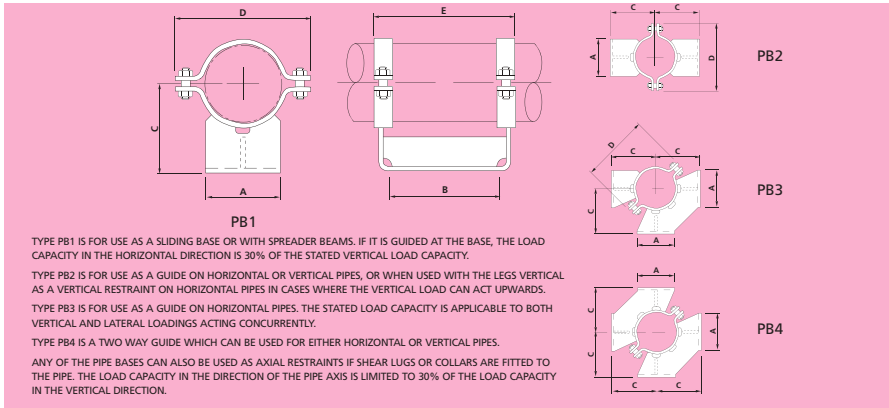


PB4

Material: Carbon Steel to 400°C Alloy Steel above 400°C Base Plate Weldable Carbon Steel

Part No. (Type PB1)	Pipe O/D		A		B		C		D		E		Max. Temp.	Max. Lagging Thick.	Weight				Load Capacity (See Notes)
	mm	in	mm	mm	mm	in	mm	mm	mm	mm	mm	mm			PB1 kgf	PB2 kgf	PB3 kgf	PB4 kgf	
For Multi-Leg types, replace PB1 with PB2, PB3 or PB4																			
PB1-125-3-600	141.3	5.563	130	200	210	8 1/4	246	274	600	135	11	18	24	31	1010				
PB1-150-4-400	168.3	6.625	120	200	200	7 7/8	288	264	400	115	9.4	15	21	1580					
PB1-150-4-530	168.3	6.625	130	200	210	8 1/4	276	274	530	125	12	18	25	31	1580				
PB1-150-4-600	168.3	6.625	140	200	230	9 1/16	276	274	600	145	13	20	27	35	1580				
PB1-175-5-400	193.7	7.625	140	250	240	9 7/16	318	314	400	140	12	21	29	37	2280				
PB1-175-5-530	193.7	7.625	150	250	250	9 13/16	306	324	530	150	15	24	33	42	2280				
PB1-175-5-600	193.7	7.625	160	250	270	10 5/8	306	340	600	170	20	33	46	58	2280				
PB1-200-3-400	219.1	8.625	150	250	250	9 13/16	316	308	400	140	9.8	16	23	30	1010				
PB1-200-6-400	219.1	8.625	150	250	250	9 13/16	380	346	400	140	24	38	52	66	3650				
PB1-200-3-530	219.1	8.625	160	250	260	10 1/4	336	324	530	150	17	26	36	46	1010				
PB1-200-6-530	219.1	8.625	160	250	270	10 5/8	336	356	530	160	27	42	57	73	3650				
PB1-200-3-600	219.1	8.625	170	250	280	11	336	324	600	170	18	28	39	50	1010				
PB1-200-6-600	219.1	8.625	170	250	280	11	356	375	600	170	38	59	80	102	3650				
PB1-225-3-400	244.5	9.625	160	250	260	10 1/4	336	308	400	135	11	18	25	32	1010				
PB1-225-6-400	244.5	9.625	160	250	270	10 5/8	410	346	400	145	27	42	57	72	3650				
PB1-225-3-530	244.5	9.625	170	250	280	11	356	324	530	155	18	29	39	50	1010				
PB1-225-6-530	244.5	9.625	170	250	280	11	366	356	530	155	29	45	62	78	3650				
PB1-225-3-600	244.5	9.625	170	250	290	11 7/16	356	324	600	165	18	29	40	51	1010				
PB1-225-6-600	244.5	9.625	180	250	300	11 3/16	398	375	600	175	42	65	88	111	3650				
PB1-250-4-400	273	10.750	170	250	280	11	398	314	400	140	16	26	37	47	1580				
PB1-250-7-400	273	10.750	170	250	280	11	440	346	400	140	29	45	61	77	5340				
PB1-250-4-530	273	10.750	170	250	290	11 7/16	386	324	530	150	19	29	40	51	1580				
PB1-250-7-530	273	10.750	180	250	300	11 3/8	396	365	530	160	36	59	82	105	5340				
PB1-250-4-600	273	10.750	180	250	300	11 3/8	396	344	600	160	25	37	48	60	1580				
PB1-250-7-600	273	10.750	190	250	310	12 3/16	428	395	600	170	50	75	99	123	5340				
PB1-300-4-400	323.9	12.750	190	300	320	12 5/8	448	364	400	155	20	33	47	60	1580				
PB1-300-6-400	323.9	12.750	190	300	320	12 5/8	490	396	400	155	35	56	77	98	3650				
PB1-300-8-400	323.9	12.750	190	300	320	12 5/8	542	410	400	155	54	81	107	133	7400				
PB1-300-4-530	323.9	12.750	200	300	330	13	446	374	530	165	24	38	53	67	1580				
PB1-300-6-530	323.9	12.750	200	300	330	13	468	406	530	165	39	61	83	106	3650				
PB1-300-8-530	323.9	12.750	200	300	340	13 3/8	478	425	530	175	52	81	110	139	7400				
PB1-300-4-600	323.9	12.750	220	300	370	14 9/16	446	394	600	205	33	50	67	84	1580				

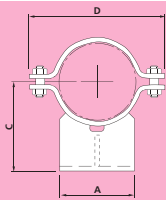
PB PIPE CLAMP BASE FOR USE AS A SLIDING BASE OR WITH TYPE 487 SPREADER BEAMS



Material: Carbon Steel to 400°C Alloy Steel above 400°C Base Plate Weldable Carbon Steel

Part No. (Type PB1)	Pipe OD		A		B		C		D		E		Max. Temp.	Max Lapping Thick.	Weight				Load Capacity (See Notes)
	mm	in	mm	mm	mm	in	mm	mm	mm	mm	mm	mm			PB1 kgf	PB2 kgf	PB3 kgf	PB4 kgf	
For Multi-Leg types, replace PB1 with PB2, PB3 or PB4																			
PB1-300-6-600	323.9	12.750	220	300	370	14 ⁹ / ₁₆	478	445	600	205	63	96	129	163	3650				
PB1-300-8-600	323.9	12.750	230	300	380	14 ¹⁵ / ₁₆	498	460	600	215	88	137	185	234	7400				
PB1-350-6-400	355.6	14.000	210	300	340	13 ³ / ₈	520	396	400	160	39	63	86	110	3650				
PB1-350-7-400	355.6	14.000	210	300	340	13 ³ / ₈	520	396	400	160	39	63	86	110	5340				
PB1-350-9-400	355.6	14.000	210	300	340	13 ³ / ₈	572	425	400	160	71	112	153	194	9650				
PB1-350-6-530	355.6	14.000	210	300	350	13 ³ / ₄	498	416	530	170	44	68	92	116	3650				
PB1-350-7-530	355.6	14.000	210	300	350	13 ³ / ₄	498	425	530	170	51	81	112	142	5340				
PB1-350-9-530	355.6	14.000	220	300	360	14 ³ / ₁₆	518	440	530	180	70	115	159	204	9650				
PB1-350-6-600	355.6	14.000	230	300	390	15 ³ / ₈	538	445	600	210	79	114	150	185	3650				
PB1-350-7-600	355.6	14.000	230	300	390	15 ³ / ₈	538	445	600	210	79	114	150	185	5340				
PB1-350-9-600	355.6	14.000	230	300	390	15 ³ / ₈	538	460	600	210	92	141	189	238	9650				
PB1-400-6-400	406.4	16.000	240	300	360	14 ³ / ₁₆	590	391	400	155	47	75	102	129	3650				
PB1-400-8-400	406.4	16.000	240	300	360	14 ³ / ₁₆	622	410	400	155	67	102	136	171	7400				
PB1-400-10-400	406.4	16.000	240	300	370	14 ⁹ / ₁₆	660	465	400	165	110	172	235	297	13350				
PB1-400-6-530	406.4	16.000	240	300	370	14 ⁹ / ₁₆	568	416	530	165	56	84	111	139	3650				
PB1-400-8-530	406.4	16.000	240	300	380	14 ¹⁵ / ₁₆	568	445	530	175	71	107	143	179	7400				
PB1-400-10-530	406.4	16.000	240	300	390	15 ³ / ₈	610	475	530	185	114	178	242	307	13350				
PB1-400-6-600	406.4	16.000	250	300	410	16 ¹ / ₈	588	445	600	205	87	126	165	204	3650				
PB1-400-8-600	406.4	16.000	250	300	420	16 ⁹ / ₁₆	588	460	600	215	103	157	211	265	7400				
PB1-400-10-600	406.4	16.000	250	300	420	16 ⁹ / ₁₆	630	465	600	215	126	196	266	335	13350				
PB1-450-6-400	457.2	18.000	270	300	390	15 ³ / ₈	640	391	400	160	54	85	116	148	3650				
PB1-450-9-400	457.2	18.000	270	300	390	15 ³ / ₈	682	425	400	160	91	146	201	256	9650				
PB1-450-11-400	457.2	18.000	270	300	400	15 ³ / ₄	738	500	400	170	154	243	332	421	18000				
PB1-450-6-530	457.2	18.000	270	300	400	15 ³ / ₄	618	416	530	170	64	95	127	159	3650				
PB1-450-9-530	457.2	18.000	270	300	410	16 ¹ / ₈	618	460	530	180	96	153	210	267	9650				
PB1-450-11-530	457.2	18.000	270	300	420	16 ⁹ / ₁₆	692	480	530	190	154	245	336	428	18000				
PB1-450-6-600	457.2	18.000	270	300	440	17 ¹ / ₁₆	638	445	600	210	97	140	183	226	3650				
PB1-450-9-600	457.2	18.000	270	300	450	17 ¹¹ / ₁₆	638	460	600	220	113	173	233	293	9650				
PB1-450-11-600	457.2	18.000	280	300	460	18 ¹ / ₈	700	490	600	230	183	283	383	482	18000				
PB1-500-6-400	508	20.000	300	400	440	17 ⁵ / ₁₆	690	491	400	185	67	110	152	195	3650				
PB1-500-9-400	508	20.000	300	400	450	17 ¹¹ / ₁₆	732	525	400	195	115	189	264	339	9650				
PB1-500-12-400	508	20.000	300	400	460	18 ¹ / ₈	788	600	400	205	190	310	429	549	23025				

PB PIPE CLAMP BASE FOR USE AS A SLIDING BASE OR WITH TYPE 487 SPREADER BEAMS



PB1

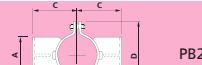
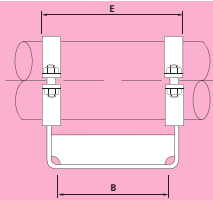
TYPE PB1 IS FOR USE AS A SLIDING BASE OR WITH SPREADER BEAMS. IF IT IS GUIDED AT THE BASE, THE LOAD CAPACITY IN THE HORIZONTAL DIRECTION IS 30% OF THE STATED VERTICAL LOAD CAPACITY.

TYPE PB2 IS FOR USE AS A GUIDE ON HORIZONTAL OR VERTICAL PIPES, OR WHEN USED WITH THE LEGS VERTICAL AS A VERTICAL RESTRAINT ON HORIZONTAL PIPES IN CASES WHERE THE VERTICAL LOAD CAN ACT UPWARDS.

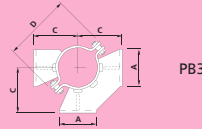
TYPE PB3 IS FOR USE AS A GUIDE ON HORIZONTAL PIPES. THE STATED LOAD CAPACITY IS APPLICABLE TO BOTH VERTICAL AND LATERAL LOADINGS ACTING CONCURRENTLY.

TYPE PB4 IS A TWO WAY GUIDE WHICH CAN BE USED FOR EITHER HORIZONTAL OR VERTICAL.

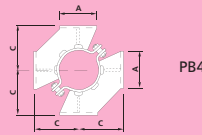
ANY OF THE PIPE BASES CAN ALSO BE USED AS AXIAL RESTRAINTS IF SHEAR LUGS OR COLLARS ARE FITTED TO THE PIPE. THE LOAD CAPACITY IN THE DIRECTION OF THE PIPE AXIS IS LIMITED TO 30% OF THE LOAD CAPACITY IN THE VERTICAL DIRECTION.



PB2



PB3

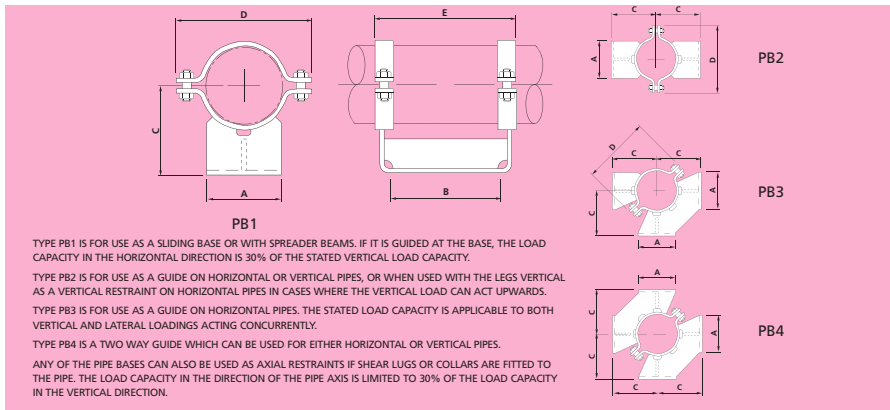


PB4

Material: Carbon Steel to 400°C Alloy Steel above 400°C Base Plate Weldable Carbon Steel

Part No. (Type PB1)	Pipe O/D		A	B	C		D	E	Max. Temp.	Max. Lagging Thick.	Weight				Load Capacity (See Notes)		
	mm	in			mm	mm					mm	in	mm	mm		C	mm
For Multi-Leg types, replace PB1 with PB2, PB3 or PB4																	
PB1-500-6-530	508	20.000	300	400	450	17 ¹¹ / ₁₆	668	516	530	195	78	121	164	247	3650		
PB1-500-9-530	508	20.000	300	400	460	18 ¹ / ₈	668	560	530	205	119	195	271	347	9650		
PB1-500-12-530	508	20.000	300	400	480	18 ⁷ / ₈	752	610	530	225	240	410	581	752	23025		
PB1-500-6-600	508	20.000	300	400	490	19 ⁵ / ₁₆	698	545	600	235	117	174	232	289	3650		
PB1-500-9-600	508	20.000	300	400	500	19 ¹¹ / ₁₆	698	570	600	245	144	224	304	383	9650		
PB1-500-12-600	508	20.000	310	400	520	20 ¹ / ₂	772	630	600	265	286	470	654	838	23025		
PB1-550-6-400	558.8	22.000	330	400	460	18 ¹ / ₈	740	491	400	180	74	121	168	216	3650		
PB1-550-8-400	558.8	22.000	330	400	470	18 ¹ / ₂	782	510	400	190	104	164	225	296	7400		
PB1-550-10-400	558.8	22.000	330	400	480	18 ⁷ / ₈	810	565	400	200	169	277	385	493	13350		
PB1-550-13-400	558.8	22.000	330	400	490	19 ⁵ / ₁₆	896	650	400	210	304	491	679	866	28125		
PB1-550-6-530	558.8	22.000	330	400	480	18 ⁷ / ₈	718	516	530	200	86	135	183	232	3650		
PB1-550-8-530	558.8	22.000	330	400	480	18 ⁷ / ₈	760	545	530	200	126	187	249	311	7400		
PB1-550-10-530	558.8	22.000	330	400	490	19 ⁵ / ₁₆	760	575	530	210	174	283	392	501	13350		
PB1-550-13-530	558.8	22.000	330	400	500	19 ¹¹ / ₁₆	830	650	530	220	299	489	678	868	28125		
PB1-550-6-600	558.8	22.000	330	400	520	20 ¹ / ₂	748	545	600	240	129	193	258	322	3650		
PB1-550-8-600	558.8	22.000	330	400	520	20 ¹ / ₂	768	550	600	240	161	249	337	425	7400		
PB1-550-10-600	558.8	22.000	330	400	530	20 ⁷ / ₈	780	575	600	250	195	310	424	538	13350		
PB1-550-13-600	558.8	22.000	330	400	550	21 ⁵ / ₈	890	670	600	270	427	686	945	1204	28125		
PB1-600-6-400	609.6	24.000	360	400	490	19 ⁵ / ₁₆	800	491	400	185	81	134	187	240	3650		
PB1-600-8-400	609.6	24.000	360	400	490	19 ⁵ / ₁₆	842	510	400	185	113	180	247	314	7400		
PB1-600-10-400	609.6	24.000	360	400	500	19 ¹¹ / ₁₆	870	565	400	195	184	303	422	541	13350		
PB1-600-13-400	609.6	24.000	360	400	520	20 ¹ / ₂	946	650	400	215	333	541	749	958	28125		
PB1-600-6-530	609.6	24.000	360	400	500	19 ¹¹ / ₁₆	778	516	530	195	94	148	201	255	3650		
PB1-600-8-530	609.6	24.000	360	400	500	19 ¹¹ / ₁₆	820	545	530	195	138	206	273	341	7400		
PB1-600-10-530	609.6	24.000	360	400	510	20 ¹ / ₂	820	575	530	205	190	310	430	551	13350		
PB1-600-13-530	609.6	24.000	360	400	530	20 ⁷ / ₈	910	630	530	225	332	542	752	962	28125		
PB1-600-6-600	609.6	24.000	360	400	540	21 ¹ / ₄	798	545	600	235	140	211	282	353	3650		
PB1-600-8-600	609.6	24.000	360	400	550	21 ⁵ / ₈	818	550	600	245	176	274	372	470	7400		
PB1-600-10-600	609.6	24.000	360	400	550	21 ⁵ / ₈	840	585	600	245	223	348	474	599	13350		
PB1-600-13-600	609.6	24.000	360	400	580	22 ¹³ / ₁₆	950	670	600	275	469	756	1043	1330	28125		
PB1-650-6-400	660.4	26.000	390	400	540	21 ¹ / ₄	870	501	400	205	109	168	228	288	3650		
PB1-650-8-400	660.4	26.000	390	400	540	21 ¹ / ₄	892	510	400	205	125	201	277	353	7400		

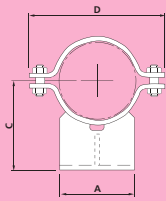
PB PIPE CLAMP BASE FOR USE AS A SLIDING BASE OR WITH TYPE 487 SPREADER BEAMS



Material: Carbon Steel to 400°C Alloy Steel above 400°C Base Plate Weldable Carbon Steel

Part No. (Type PB1)	Pipe OD		A	B	C		D	E	Max. Temp.	Max Lapping Thick.	Weight					Load Capacity (See Notes)
	mm	in			mm	mm					mm	in	mm	mm	C	
For Multi-Leg types, replace PB1 with PB2, PB3 or PB4																
PB1-650-10-400	660.4	26.000	390	400	550	21 ⁵ / ₈	920	565	400	215	205	339	473	608	13350	
PB1-650-13-400	660.4	26.000	390	400	570	22 ⁷ / ₁₆	996	670	400	235	387	622	857	1092	28125	
PB1-650-6-530	660.4	26.000	390	400	580	22 ¹³ / ₁₆	828	516	530	245	107	170	233	295	3650	
PB1-650-8-530	660.4	26.000	390	400	580	22 ¹³ / ₁₆	848	545	530	245	153	233	312	392	7400	
PB1-650-10-530	660.4	26.000	390	400	590	23 ¹ / ₄	870	575	530	255	215	356	496	637	13350	
PB1-650-13-530	660.4	26.000	390	400	600	23 ⁵ / ₈	960	630	530	265	372	613	855	1096	28125	
PB1-650-6-600	660.4	26.000	390	400	620	24 ⁷ / ₁₆	848	545	600	285	157	240	324	407	3650	
PB1-650-8-600	660.4	26.000	390	400	620	24 ⁷ / ₁₆	868	550	600	285	197	310	423	537	7400	
PB1-650-10-600	660.4	26.000	390	400	630	24 ¹³ / ₁₆	890	595	600	295	260	406	552	699	13350	
PB1-650-13-600	660.4	26.000	390	400	650	25 ¹ / ₈	1000	670	600	315	522	851	1179	1508	28125	
PB1-700-6-400	711.2	28.000	420	500	560	22 ¹ / ₈	920	601	400	200	125	198	271	344	3650	
PB1-700-8-400	711.2	28.000	420	500	570	22 ¹ / ₈	942	610	400	210	146	239	333	426	7400	
PB1-700-10-400	711.2	28.000	420	500	580	22 ¹³ / ₁₆	970	665	400	220	239	403	567	731	13350	
PB1-700-13-400	711.2	28.000	420	500	590	23 ¹ / ₄	1046	770	400	230	443	724	1006	1287	28125	
PB1-700-6-530	711.2	28.000	420	500	600	23 ⁵ / ₈	878	616	530	240	123	199	276	352	3650	
PB1-700-8-530	711.2	28.000	420	500	610	24	920	645	530	250	177	274	372	469	7400	
PB1-700-10-530	711.2	28.000	420	500	620	24 ⁷ / ₁₆	920	675	530	260	250	421	592	763	13350	
PB1-700-13-530	711.2	28.000	420	500	630	24 ¹³ / ₁₆	1010	730	530	270	429	720	1012	1303	28125	
PB1-700-6-600	711.2	28.000	420	500	640	25 ¹ / ₈	898	645	600	280	179	279	380	480	3650	
PB1-700-8-600	711.2	28.000	420	500	650	25 ¹ / ₈	918	650	600	290	227	364	502	639	7400	
PB1-700-10-600	711.2	28.000	420	500	650	25 ¹ / ₈	960	675	600	290	297	472	647	821	13350	
PB1-700-13-600	711.2	28.000	420	500	680	26 ³ / ₄	1050	770	600	320	598	990	1383	1776	28125	
PB1-750-6-400	762	30.000	450	500	590	23 ¹ / ₄	970	601	400	205	135	214	294	373	3650	
PB1-750-8-400	762	30.000	450	500	590	23 ¹ / ₄	992	610	400	205	157	258	358	459	7400	
PB1-750-10-400	762	30.000	450	500	600	23 ⁵ / ₈	1020	665	400	215	256	433	610	787	13350	
PB1-750-13-400	762	30.000	450	500	620	24 ⁷ / ₁₆	1096	770	400	235	477	783	1090	1396	28125	
PB1-750-6-530	762	30.000	450	500	630	24 ¹³ / ₁₆	928	616	530	245	133	216	299	382	3650	
PB1-750-8-530	762	30.000	450	500	630	24 ¹³ / ₁₆	970	645	530	245	190	295	400	505	7400	
PB1-750-10-530	762	30.000	450	500	640	25 ¹ / ₈	970	675	530	255	269	453	637	821	13350	
PB1-750-13-530	762	30.000	450	500	660	26	1060	730	530	275	463	780	1096	1413	28125	
PB1-750-6-600	762	30.000	450	500	670	26 ³ / ₈	948	645	600	285	193	302	411	521	3650	
PB1-750-8-600	762	30.000	450	500	670	26 ³ / ₈	978	650	600	285	244	392	540	689	7400	

PB PIPE CLAMP BASE FOR USE AS A SLIDING BASE OR WITH TYPE 487 SPREADER BEAMS



PB1

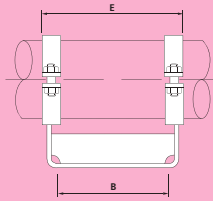
TYPE PB1 IS FOR USE AS A SLIDING BASE OR WITH SPREADER BEAMS. IF IT IS GUIDED AT THE BASE, THE LOAD CAPACITY IN THE HORIZONTAL DIRECTION IS 30% OF THE STATED VERTICAL LOAD CAPACITY.

TYPE PB2 IS FOR USE AS A GUIDE ON HORIZONTAL OR VERTICAL PIPES, OR WHEN USED WITH THE LEGS VERTICAL AS A VERTICAL RESTRAINT ON HORIZONTAL PIPES IN CASES WHERE THE VERTICAL LOAD CAN ACT UPWARDS.

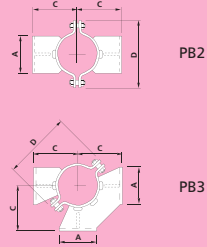
TYPE PB3 IS FOR USE AS A GUIDE ON HORIZONTAL PIPES. THE STATED LOAD CAPACITY IS APPLICABLE TO BOTH VERTICAL AND LATERAL LOADINGS ACTING CONCURRENTLY.

TYPE PB4 IS A TWO WAY GUIDE WHICH CAN BE USED FOR EITHER HORIZONTAL OR VERTICAL.

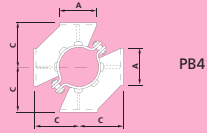
ANY OF THE PIPE BASES CAN ALSO BE USED AS AXIAL RESTRAINTS IF SHEAR LUGS OR COLLARS ARE FITTED TO THE PIPE. THE LOAD CAPACITY IN THE DIRECTION OF THE PIPE AXIS IS LIMITED TO 30% OF THE LOAD CAPACITY IN THE VERTICAL DIRECTION.



PB2



PB3

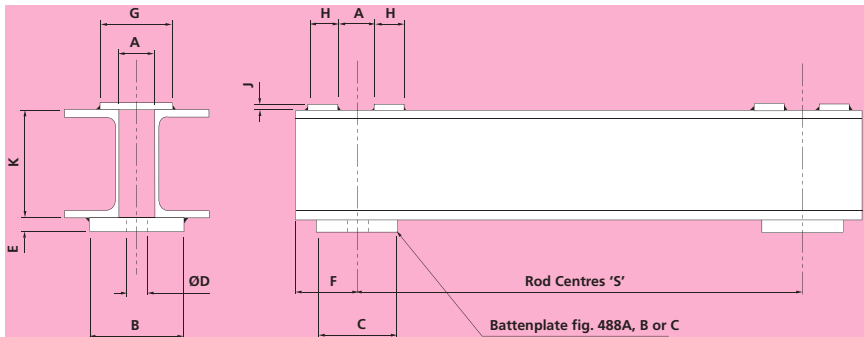


PB4

Material: Carbon Steel to 400°C Alloy Steel above 400°C Base Plate Weldable Carbon Steel

Part No. (Type PB1)	Pipe O/D		A		B		C		D	E	Max. Temp.	Max. Lagging Thick.	Weight				Load Capacity (See Notes)
	mm	in	mm	mm	mm	in	mm	mm	C	PB1 kgf			PB2 kgf	PB3 kgf	PB4 kgf	kgf	
For Multi-Leg types, replace PB1 with PB2, PB3 or PB4																	
PB1-750-10-600	762	30.000	450	500	680	26 ³ / ₄	1010	675	600	295	320	295	320	510	701	891	13350
PB1-750-13-600	762	30.000	450	500	700	27 ⁹ / ₁₆	1100	770	600	315	640	315	640	1063	1486	1910	28125
PB1-800-6-400	812.8	32.000	480	500	610	24	1020	601	400	200	144	229	315	400	3650		
PB1-800-8-400	812.8	32.000	480	500	620	24 ⁷ / ₁₆	1042	610	400	210	169	278	387	497	7400		
PB1-800-10-400	812.8	32.000	480	500	630	24 ¹³ / ₁₆	1070	685	400	220	294	486	678	870	13350		
PB1-800-13-400	812.8	32.000	480	500	640	25 ³ / ₁₆	1176	770	400	230	548	876	1203	1531	28125		
PB1-800-6-530	812.8	32.000	480	500	650	25 ⁹ / ₁₆	978	616	530	240	142	231	321	410	3650		
PB1-800-8-530	812.8	32.000	480	500	660	26	1020	645	530	250	204	318	432	545	7400		
PB1-800-10-530	812.8	32.000	480	500	670	26 ³ / ₈	1042	685	530	260	300	499	699	899	13350		
PB1-800-13-530	812.8	32.000	480	500	680	26 ³ / ₄	1110	730	530	270	494	834	1174	1514	28125		
PB1-800-6-600	812.8	32.000	480	500	690	27 ³ / ₁₆	1008	645	600	280	207	324	441	559	3650		
PB1-800-8-600	812.8	32.000	480	500	700	27 ⁹ / ₁₆	1050	660	600	290	275	435	596	757	7400		
PB1-800-10-600	812.8	32.000	480	500	700	27 ⁹ / ₁₆	1070	675	600	290	342	546	751	955	13350		
PB1-800-13-600	812.8	32.000	480	500	730	28 ³ / ₄	1160	770	600	320	688	1146	1604	2061	28125		
PB1-850-6-400	863.6	34.000	510	500	640	25 ³ / ₁₆	1070	601	400	205	154	247	339	432	3650		
PB1-850-8-400	863.6	34.000	510	500	640	25 ³ / ₁₆	1092	610	400	205	180	297	414	531	7400		
PB1-850-10-400	863.6	34.000	510	500	650	25 ⁹ / ₁₆	1120	685	400	215	313	519	724	930	13350		
PB1-850-13-400	863.6	34.000	510	500	670	26 ³ / ₈	1226	770	400	235	585	939	1293	1647	28125		
PB1-850-6-530	863.6	34.000	510	500	680	26 ³ / ₄	1028	616	530	245	152	249	345	442	3650		
PB1-850-8-530	863.6	34.000	510	500	680	26 ³ / ₄	1070	645	530	245	217	339	460	582	7400		
PB1-850-10-530	863.6	34.000	510	500	690	27 ³ / ₁₆	1092	685	530	255	319	533	746	960	13350		
PB1-850-13-530	863.6	34.000	510	500	710	27 ¹⁵ / ₁₆	1170	740	530	275	545	912	1279	1646	28125		
PB1-850-6-600	863.6	34.000	510	500	720	28 ³ / ₈	1058	645	600	285	221	348	474	601	3650		
PB1-850-8-600	863.6	34.000	510	500	720	28 ³ / ₈	1100	660	600	285	292	464	636	808	7400		
PB1-850-10-600	863.6	34.000	510	500	730	28 ³ / ₄	1120	675	600	295	366	586	807	1028	13350		
PB1-850-13-600	863.6	34.000	510	500	750	29 ¹ / ₂	1210	770	600	315	731	1221	1710	2200	28125		
PB1-900-6-400	914.4	36.000	540	600	670	26 ³ / ₈	1130	701	400	210	175	285	395	505	3650		
PB1-900-8-400	914.4	36.000	540	600	670	26 ³ / ₈	1142	710	400	210	205	343	482	621	7400		
PB1-900-10-400	914.4	36.000	540	600	680	26 ³ / ₄	1180	785	400	220	356	599	841	1084	13350		
PB1-900-13-400	914.4	36.000	540	600	690	27 ³ / ₁₆	1276	870	400	230	653	1064	1475	1886	28125		
PB1-900-6-530	914.4	36.000	540	600	700	27 ⁹ / ₁₆	1088	736	530	240	187	300	413	526	3650		
PB1-900-8-530	914.4	36.000	540	600	710	27 ¹⁵ / ₁₆	1130	745	530	250	244	388	532	676	7400		

487 SPREADER BEAM & 488 BATTENPLATE



Material: Carbon Steel

Order by Part No., Beam Reference and Rod Centres "S"

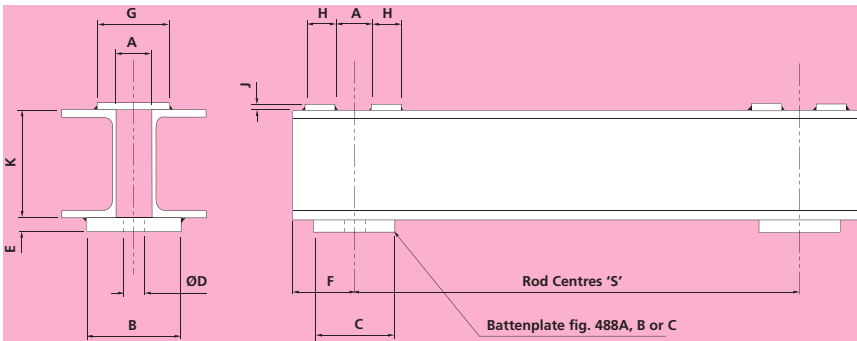
PART No.	ROD DIA	LOAD CAPACITY		LOAD GROUP	Fig. 487A – PFC SPREADER BEAM FOR NO ROD ANGLULATION										WEIGHT EXCLUDING CHANNELS kgf
		kg	kN		A	B	C	D	E	F	G	H	J		
F487AM10	10	720	7.0	1	14	60	40	12	6	35	60	20	6	0.5	
F487AM12	12	1060	10.4	2	16	65	50	14	8	35	65	20	6	0.7	
F487AM16	16	2020	19.8	3	20	85	60	18	10	40	85	20	6	1.1	
F487AM20	20	3160	31.0	4	24	85	60	22	10	50	85	30	8	1.4	
F487AM24	24	4560	44.8	5	28	85	85	26	12	65	85	40	8	2.2	
F487AM30	30	7300	71.6	6	36	120	100	33	15	80	120	50	8	4.3	
F487AM36	36	10680	104.8	7	42	150	100	39	20	85	150	50	10	7.1	
F487AM42	42	14800	145.2	8	48	170	110	45	25	85	170	50	10	10.0	
F487AM48	48	19300	189.2	9	54	180	130	51	25	100	180	60	12	13.3	
F487AM56	56	26700	261.8	10	64	200	150	60	30	125	200	80	12	20.2	
F487AM64	64	36000	353.0	11	72	200	180	68	35	150	200	100	15	29.2	
F487AM72	72	46050	451.6	12	80	200	200	76	40	160	200	100	20	37.7	

PART No.	ROD DIA	LOAD CAPACITY		LOAD GROUP	Fig. 487B – PFC SPREADER BEAM FOR USE WITH FIG. 236 SPHERICAL WASHERS AND FOR MAX 5 DEG. ROD ANGLULATION										WEIGHT EXCLUDING CHANNELS kgf
		kg	kN		A	B	C	D	E	F	G	H	J		
F487BM10	10	720	7.0	1	38	90	60	16	10	55	90	30	6	1.4	
F487BM12	12	1060	10.4	2	40	90	60	18	10	60	90	30	6	1.4	
F487BM16	16	2020	19.8	3	48	100	80	22	12	70	100	40	6	2.3	
F487BM20	20	3160	31.0	4	58	110	100	30	15	85	110	50	8	4.0	
F487BM24	24	4560	44.8	5	68	120	100	33	20	95	120	50	8	5.3	
F487BM30	30	7300	71.6	6	84	160	110	43	25	100	160	50	8	8.9	
F487BM36	36	10680	104.8	7	98	200	150	48	30	135	200	75	10	18.8	
F487BM42	42	14800	145.2	8	120	250	180	56	35	145	250	75	10	30.6	
F487BM48	48	19300	189.2	9	135	260	200	64	40	180	260	100	12	42.5	
F487BM56	56	26700	261.8	10	145	275	250	74	40	185	275	100	12	53.5	
F487BM64	64	36000	353.0	11	155	300	250	84	50	195	300	100	15	73.0	
F487BM72	72	46050	451.6	12	165	300	250	94	60	205	300	100	20	89.5	

PART No.	ROD DIA	LOAD CAPACITY		LOAD GROUP	Fig. 487C – PFC SPREADER BEAM FOR USE WITH FIG. 281 DUAL FACED ROCKER WASHERS AND FOR MAX 5 DEG. ROD ANGLULATION										WEIGHT EXCLUDING CHANNELS kgf
		kg	kN		A	B	C	D	E	F	G	H	J		
F487CM12	12	1060	10.4	2	40	90	90	38	10	60	90	30	6	1.8	
F487CM16	16	2020	19.8	3	48	100	100	38	15	70	100	40	6	3.1	
F487CM20	20	3160	31.0	4	58	110	110	49	20	85	110	50	8	5.2	
F487CM24	24	4560	44.8	5	68	120	120	49	20	95	120	50	8	6.0	
F487CM30	30	7300	71.6	6	84	160	160	66	25	100	160	50	8	12.1	
F487CM36	36	10680	104.8	7	98	200	200	66	30	135	200	75	10	23.5	
F487CM42	42	14800	145.2	8	120	250	250	74	35	145	250	75	10	40.2	
F487CM48	48	19300	189.2	9	135	260	260	82	40	180	260	100	12	52.2	
F487CM56	56	26700	261.8	10	145	275	275	93	50	185	275	100	12	69.7	
F487CM64	64	36000	353.0	11	155	300	300	104	50	195	300	100	15	84.8	

SPREADER BEAM ASSEMBLY INCLUDES TWO BATTENPLATES AS SHOWN
BATTENPLATES CAN ALSO BE ORDERED SEPARATELY

487 SPREADER BEAM & 488 BATTEENPLATE



Material: Carbon Steel

Order by Part No., Beam Reference and Rod Centres "S"

BEAM REFERENCE	DEPTH K (NOM.) mm	WEIGHT PER METRE FOR TWO CHANNELS (NOM.) kgf
A	75	14.2
B	100	20.0
C	125	27.4
D	150	39.2
E	200	49.0
F	250	67.4
G	300	80.2
H	390	109.0
J	430	128.8

ROD DIA.	LOAD CAPACITY		LOAD GROUP	BEAM REFERENCE FOR SPAN S = mm															
	kg	kN		250	500	750	1000	1250	1500	1750	2000	2250	2500	2750	3000				
10	720	7.0	1						A							B	C		
12	1060	10.4	2						A							B	C		
16	2020	19.8	3				A		B							C	D		
20	3160	31.0	4		A		B		C							D	E		
24	4560	44.8	5		A	B		C		D						E	F		
30	7300	71.6	6		B		C		D		E					F	G		
36	10680	104.8	7			C		D		E						F	G		
42	14800	145.2	8				E		F		G					H	J		
48	19300	189.2	9				E		F		G					H	J		
56	26700	261.8	10				F		G		H					J			
64	36000	353.0	11				G		H		J								
72	46050	451.6	12					H		J									

Index

91		115A SLING ROD CAGE	102		342 OFFSET PIPE CLAMP		361 PIPE ROLLER	
		116 BEAM CLAMP			348 ADJUSTABLE PEDESTAL SUPPORT	111		362 ADJUSTABLE SUPPORT ROLLER CHAIR
92		117 BEAM CLAMP	103		347 & 383 HOLD DOWN CLAMPS			365 SUPPORT ROLLER CHAIR
		118 ADJUSTABLE BEAM CLAMP	104		349 & 350 PIPE BASES	112		371 U-STRAP (GRIP TYPE CS)
93		172 UNIVERSAL BEAM CLAMP			351 PIPE CLAMP BASE — LIGHT DUTY	113		372 U-STRAP (GRIP TYPE SS)
94		228, 231 & 232 EYE RODS	105		353A & 353B TUBULAR BASES	114		373 U-STRAP (NON-GRIP TYPE CS)
		233 DOUBLE BENT EYE ROD			354 SECTIONAL BASE	115		374 U-STRAP (NON-GRIP TYPE SS)
95		276 HEX HEAD BOLT	106		358 PIPE LUG ATTACHMENT	116		384 PIPE ALIGNMENT GUIDE
96		284-289 CONCRETE FIXING BOLTS	107		355A-F PIPE COVERING PROTECTION SADDLES			
97		311 & 313 U-BOLTS	109		356 PIPE ROLLER			
98		308 CLEVIS HANGER			357 PIPE ROLLER AND ADJUSTABLE STAND			
		314-322 WELDED OVERSTRAPS	110		360 PIPE ROLLER AND STAND			

1

2

3

4

5

6

7

8

9

ADDITIONAL ANCILLARY ITEMS

This section covers other miscellaneous standard components that have not been designed on the load group basis as covered by Section 2.

SELECTION OF COMPONENTS

Selection of components is by reference to pipe size and load capacity.

For combined loading situations where load capacities are given in vertical, lateral and axial directions, the following formula should be applied:

$$\frac{P(v)}{LC(v)} + \frac{P(lat)}{LC(lat)} + \frac{P(ax)}{LC(ax)} \leq 1$$

Where P represents the actual applied load in the specified direction and LC is the quoted load capacity in the specified direction.

STANDARDS

This section includes items made to national and industry standards.

MATERIALS

Pipe Supports Group manufactures at a number of sites worldwide. Materials are selected from the following equivalent or similar specifications suiting availability at the site of manufacture:

Carbon Steel Items manufactured from Plate or sections,
Pipe Clamps to 400°C

Euro	BS EN10025: S275JR
ASTM	ASTM A36
IS	IS:2062
JIS	JIS G3101 SS400
China	Q235B

Carbon Steel Hanger Rods

Euro	BS EN10025: S275JR/S355JR
ASTM	ASTM A36
IS	IS: 2062
JIS	JIS G3101 SS400
China	20#

Carbon Steel for Forgings

Euro	BS 970 Grade 080A27
ASTM	ASTM A105
IS	IS: 1875 Gr. 2
JIS	JIS G3202 SFVC2A
China	20#

Carbon Steel bolts and nuts

Euro	BS 4190/DIN 601 Gr. 4.6 and BS 4190/DIN 555 Gr. 4
IS	IS: 1367 (Part III) Gr. 4.6 and IS: 1367 (Part VI) Gr. 4
ASTM	ASTM A307 Gr.B
China	20#

We also design and manufacture pipe clamps and ancillaries in other materials to suit particular applications. Examples of this are:

Hanger rods and ancillaries in alloy steel for boiler integral pipework.

Low temperature carbon steel grades.

Austenitic stainless steel for corrosion resistance, cryogenic or high temperature service.

Nickel alloys.

FINISH

The standard finish for pipe clamps and ancillary items is self colour. Other available finishes are:

Hot dip galvanised

Zinc plated

Zinc phosphate primer

Zinc silicate primer

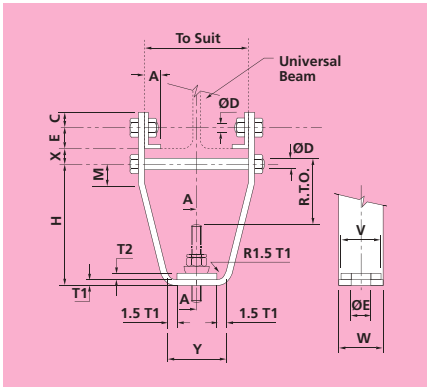
Corrosion resistant paint finishes to customer specifications.

THREAD FORM

All threaded components are supplied ISO metric coarse unless otherwise stated. Other thread forms can be supplied at extra cost.



115A SLING ROD CAGE FOR UB



When used on wide beams, the depth (H) of the standard cage may be increased if necessary so that the inclination of the sides does not exceed 25° from the vertical.

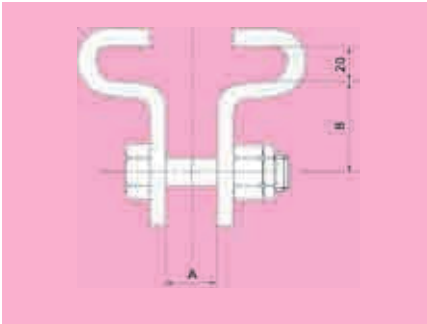
A = 50mm for flange width 133mm or greater

A = 38mm for flange width less than 133mm

Material: Carbon Steel Order by Part No. & Beam Size

PART No.	SLING ROD DIA	W×T1	V×T2×Lg	SIZE OF ANGLE	LTH OF ANGLE	C	E	M	H	Y	F	BOLT SIZE D	BOLT HOLE DIA	RTO	LOAD CAPACITY	
															kgf	kN
F115AM08	8	35×8	25×8×26	A×30×5	35	10	20	20	165	50	12	8	9	108	230	2.3
F115AM10	10	35×8	25×8×26	A×40×6	35	15	25	20	170	50	16	10	11	110	360	3.5
F115AM12	12	45×8	35×8×31	A×50×8	45	20	30	25	170	55	18	12	14	106	530	5.2
F115AM16	16	45×10	35×10×40	A×65×8	45	30	35	30	180	70	22	16	18	106	1010	9.9
F115AM20	20	60×15	50×10×45	A×75×8	60	35	40	30	200	90	30	20	22	90	1580	15.5
F115AM24	24	80×15	70×10×50	A×100×12	80	45	55	40	210	95	33	24	26	94	2280	22.4
F115AM30	30	90×15	80×15×70	A×100×12	90	45	55	50	240	115	43	30	33	109	3650	35.8
F115AM36	36	100×20	90×20×80	A×125×12	100	60	65	65	275	140	48	36	39	124	5340	52.4
F115AM42	42	130×25	120×25×90	A×150×15	130	75	75	75	305	165	56	42	45	134	7400	72.6

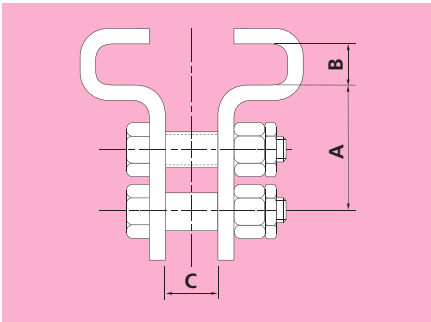
116 BEAM CLAMP



PART No.	FLANGE WIDTH	STEEL SIZE	A	B	BOLT SIZE	LOAD CAPACITY	
						kgf	kN
F116-1	63-152	35×8	10	40	M10	360	3.5
	203 max.	40×10					
F116-2	63-152	40×10	12	40	M12	500	4.9
	203 max.	45×10					
F116-3	63-152	45×10	16	45	M16	650	6.4
	203 max.	60×10					
F116-4	63-178	55×12	20	55	M20	900	8.8
	254 max.	70×12					
F116-5	63-178	70×12	20	65	M20	1200	11.8
	254 max.	60×15					
F116-6	63-178	60×15	20	65	M20	1550	15.2
	254 max.	80×15					

Material: Carbon Steel Order by Part No. & Beam Size

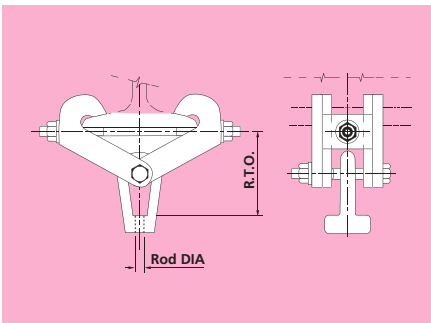
117 BEAM CLAMP-HEAVY DUTY



PART No.	FLANGE WIDTH	STEEL SIZE	A	B	C	BOLT SIZE	LOAD CAPACITY	
							kgf	kN
F117-1	102-178	60x10	95	25	19	M16	840	8.2
	254 max.	70x12						
F117-2	102-178	70x12	110	25	33	M20	1200	11.8
	254 max.	60x15						
F117-3	102-178	100x15	150	25	33	M30	2750	27.0
	254 max.	125x15						

Material: Carbon Steel Order by Part No. & Beam Size

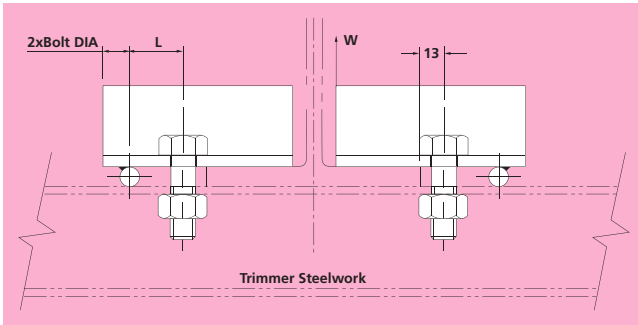
118 ADJUSTABLE BEAM CLAMP & ROD CONNECTOR



Material: Carbon Steel

PART No.	ROD DIA	MAX FLANGE WIDTH	MAX FLANGE THICKNESS	RTO v FLANGE WIDTH												LOAD CAPACITY	
				76	89	102	127	152	178	203	228	254	266	kgf	kN		
F118-1	M16	203	16	138	135	133	126	114	94	79						820	8.0
F118-2	M20	203	16	156	153	151	144	132	112	97						1150	11.3
F118-3	M24	266	26	170	167	165	158	146	126	111	127	217	209			2250	22.1
F118-4	M36	266	26	167	164	162	155	143	123	108	124	214	206			5000	49.0

172 UNIVERSAL BEAM CLIP*



SELECTION

1. Find the beam reference from Table A. (e.g. K2).
2. Look under the column in Table B corresponding to the beam reference letter (K in this instance) to find the max. load W for each cleat size.
3. From the magnitude and location of the applied loadings, check that the allowable cleat load (W) is not exceeded.

Material: Carbon Steel Order by Part Number and Beam Reference

TABLE A

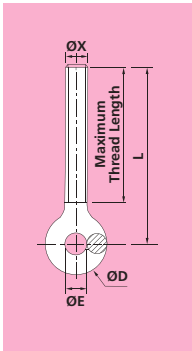
BEAM SIZE			BEAM SIZE			BEAM SIZE		
DEPTHxWIDTH	MASS/LENGTH kg/M	BEAM REF.	DEPTHxWIDTH	MASS/LENGTH kg/M	BEAM REF.	DEPTHxWIDTH	MASS/LENGTH kg/M	BEAM REF.
914x419	388	A1	533x210	122	J1	406x152	74	R1
	343	A2		109	J2		67	R2
914x305	289	C1		101	J3		60	R3
	253	C2		92	J4	67	S1	
	224	C3		82	J5	60	S2	
	201	C4	98	K1	52	S3		
610x305	238	D1	89	K2	43	T1		
	179	D2	82	K3	37	T2		
	149	D3	74	K4	31	T3		
828x292	226	E1	67	K5	46	U1		
	194	E2	74	L1	39	U2		
	176	E3	67	L2	30	V1		
762x267	197	F1	60	L3	25	V2		
	173	F2	54	L4	39	W1		
	147	F3	67	M1	33	W2		
686x254	170	G1	57	M2	48	X1		
	152	G2	51	M3	42	X2		
	140	G3	45	M4	37	X3		
610x229	140	H1	54	N1	33	Y1		
	125	H2	46	N2	28	Y2		
	113	H3	40	N3	25	Y3		
	101	H4	82	P1	28	Z1		
457x152			74	P2	25	Z2		
			67	P3	22	Z3		

TABLE B

PART No.	ROLLED STEEL ANGLE SIZE	BOLT	LTH L	BEAM REF															
				Y&Z	W&X	V	U	P,R,S&T	N	M	L	K	J	H	G	F	E	C&D	A
				MAXIMUM LOAD W PER CLEAT IN kgf and kN															
F172-1	70x70x10	M16	35	630	565	530	520	495	465	460	450	425	410	380	360	350	325	315	245
				6.2	5.5	5.2	5.1	4.9	4.6	4.5	4.4	4.2	4.0	3.7	3.5	3.4	3.2	3.1	2.4
F172-2	70x70x10	M16	50	765	695	660	650	620	585	580	565	545	520	490	465	450	425	415	325
				7.5	6.8	6.5	6.4	6.1	5.7	5.7	5.5	5.3	5.1	4.8	4.6	4.4	4.2	4.1	3.2
F172-3	70x70x10	M16	75	920	850	815	805	780	740	735	720	695	670	635	605	590	560	550	445
				9	8.3	8.0	7.9	7.6	7.3	7.2	7.1	6.8	6.6	6.2	5.9	5.8	5.5	5.4	4.4
F172-4	70x70x10	M16	100	1025	960	925	915	890	850	845	830	805	780	750	715	700	665	655	540
				10.1	9.4	9.1	9.0	8.7	8.3	8.3	8.1	7.9	7.6	7.4	7.0	6.9	6.5	6.4	5.3
F172-5	80x80x10	M20	125	1720	1625	1575	1560	1520	1460	1455	1435	1395	1355	1305	1255	1230	1180	1160	970
				16.9	15.9	15.4	15.3	14.9	14.3	14.3	14.1	13.7	13.3	12.8	12.3	12.1	11.6	11.4	9.5
F172-6	80x80x10	M20	150	1805	1720	1675	1660	1620	1565	1560	1540	1500	1465	1415	1365	1340	1290	1270	1080
				17.7	16.9	16.4	16.3	15.9	15.3	15.3	15.1	14.7	14.4	13.9	13.4	13.1	12.7	12.5	10.6
F172-7	90x90x12	M24	175	2320	2220	2165	2150	2105	2040	2035	2010	1965	1920	1860	1805	1775	1710	1685	1450
				22.8	21.8	21.2	21.1	20.6	20.0	20.0	19.7	19.3	18.8	18.2	17.7	17.4	16.8	16.5	14.2

kgf kN

**228 FORGED EYEBOLT RIGHT HAND
228A FORGED EYEBOLT LEFT HAND**

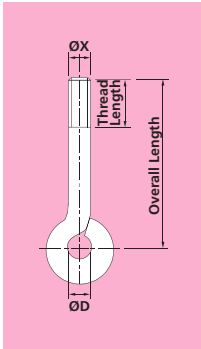


PART Nos.		DIA X	L	MAX TREAD LENGTH	MIN DIA D	DIA E	LOAD CAPACITY	
RH THREAD	LH THREAD						kgf	kN
F228M10	F228AM10	10	300	275	7	16	360	3.5
F228M12	F228AM12	12	300	270	9	18	530	5.2
F228M16	F228AM16	16	300	270	12	22	1010	9.9
F228M20	F228AM20	20	300	260	14	26	1580	15.5
F228M24	F228AM24	24	300	260	17	30	2280	22.4
F228M30	F228AM30	30	300	255	21	36	3650	35.8
F228M36	F228AM36	36	300	245	26	42	5340	52.4
F228M42	F228AM42	42	300	235	30	48	7400	72.6
F228M48	F228AM48	48	340	220	35	44	9650	94.6
F228M56	F228AM56	56	355	230	41	57	13350	130.9
F228M64	F228AM64	64	370	230	47	60	18000	176.5
F228M72	F228AM72	72	420	240	57	76	23025	225.8
F228M80	F228AM80	80	500	260	60	90	28125	275.8
F228M90	F228AM90	90	600	320	70	100	35595	349.1

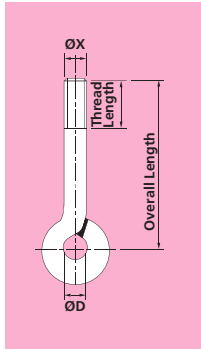
Sizes M42 and above are oval eye pattern. Equivalent fabricated design is also available

Material: Forged Steel

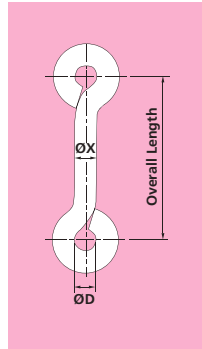
**BENT EYE ROD
231 RH
231A LH**



**BENT EYE ROD WELDED
232 RH
232A LH**



233 DOUBLE BENT EYE ROD

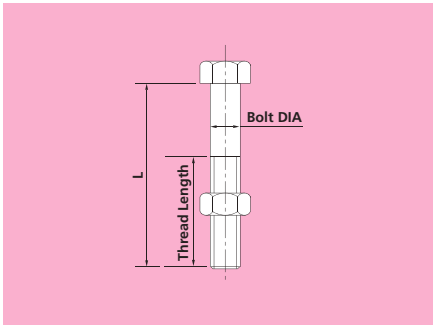


DIA X	DIA D	LOAD CAPACITY	
		kgf	kN
10	12	105	1.0
12	15	160	1.6
16	19	285	2.8
20	24	430	4.2
24	28	660	6.5
30	43	1080	10.6
36	49	2100	20.6
42	55	2950	28.9

For Thread lengths see Fig 226 Hanger Rod (Page 12)

Material: Carbon Steel Order by Figure number, size and overall length

276A BOLT C/W NUT
276B BOLT C/W NUT
276C SET SCREW C/W NUT



276A
 Thread Length = $1\frac{1}{2}D$

276B
 Thread Length = $2D + 6$ for $L \leq 125\text{mm}$
 = $2D + 12$ for $125 < L \leq 200$
 = $2D + 25$ for $L > 200$

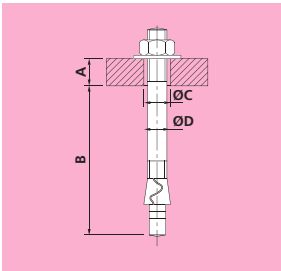
276C
 Thread Length = L

Material: Carbon Steel. Other materials available

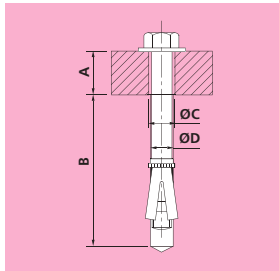
L LENGTH	BOLT DIAMETER												
	M6	M8	M10	M12	M16	M20	M24	M30	M36	M42	M48	M56	M64
16	C	C	C	C	—	—	—	—	—	—	—	—	—
20	BC	C	C	C	—	—	—	—	—	—	—	—	—
25	BC	BC	C	C	C	C	—	—	—	—	—	—	—
30	BC	BC	BC	BC	AC	C	—	—	—	—	—	—	—
35	BC	BC	BC	BC	AC	C	C	—	—	—	—	—	—
40	BC	BC	BC	BC	ABC	AC	C	C	—	—	—	—	—
45	BC	BC	BC	BC	ABC	AC	C	C	—	—	—	—	—
50	BC	BC	BC	BC	ABC	ABC	AC	C	C	—	—	—	—
55	BC	BC	BC	BC	ABC	ABC	AC	C	C	C	—	—	—
60	BC	BC	BC	BC	ABC	ABC	ABC	C	C	C	C	—	—
65	BC	BC	BC	BC	ABC	ABC	ABC	C	C	C	C	—	—
70	BC	BC	BC	BC	ABC	ABC	ABC	C	C	C	C	C	—
75	BC	BC	BC	BC	ABC	ABC	ABC	C	C	C	C	C	—
80	BC	BC	BC	BC	ABC	ABC	ABC	C	C	C	C	C	—
85	B	B	B	B	B	B	B	—	—	—	—	—	—
90	B	B	B	BC	ABC	ABC	ABC	BC	C	C	C	C	C
100	B	B	BC	BC	ABC	ABC	ABC	BC	BC	C	C	C	C
110	B	B	B	BC	BC	BC	BC	BC	BC	C	C	C	C
120	B	B	B	BC	BC	BC	BC	BC	BC	BC	C	C	C
130	B	B	B	BC	BC	BC	BC	BC	BC	BC	BC	C	C
140	B	B	B	BC	BC	BC	BC	BC	BC	BC	BC	C	C
150	B	B	B	BC	BC	BC	BC	BC	BC	BC	BC	C	C
160	—	—	—	BC	BC	BC	BC	BC	BC	BC	BC	BC	C
170	—	—	—	BC	BC	BC	BC	BC	BC	BC	BC	BC	BC
180	—	—	—	BC	BC	BC	BC	BC	BC	BC	BC	BC	BC
190	—	—	—	BC	BC	BC	BC	BC	BC	BC	BC	BC	BC
200	—	—	—	BC	BC	BC	BC	BC	BC	BC	BC	BC	BC
220	—	—	—	BC	BC	BC	BC	BC	BC	BC	BC	BC	BC
240	—	—	—	BC	BC	BC	BC	BC	BC	BC	BC	BC	BC
260	—	—	—	BC	BC	BC	BC	BC	BC	BC	BC	BC	BC
280	—	—	—	BC	BC	BC	BC	BC	BC	BC	BC	BC	BC
300	—	—	—	BC	BC	BC	BC	BC	BC	BC	BC	BC	BC



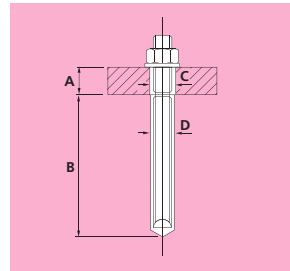
284 HILTI HSA KA



285 HILTI HSL



286 HILTI HVA ADHESIVE ANCHOR



Material: Carbon Steel. Also available in Stainless Steel

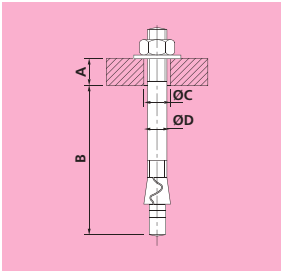
PART NUMBER	(MAX)A	B	C	D
F284-M6x85	20	45	6.6	6
F284-M6x85	40	45	6.6	6
F284-M8x75	23	50	9	8
F284-M8x92	40	50	9	8
F284-M10x90	25	70	11	10
F284-M10x108	45	70	11	10
F284-M12x100	25	70	13.5	12
F284-M12x120	45	70	13.5	12
F284-M16x120	25	90	17.5	16
F284-M16x140	45	90	17.5	16
F284-M20x125	10	105	22	20
F284-M20x170	55	105	22	20

PART NUMBER	(MAX)A	B	C	D
F285-M8/20	20	80	14	12
F285-M8/40	40	80	14	12
F285-M10/20	20	90	17	15
F285-M10/40	40	90	17	15
F285-M12/25	25	100	20	18
F285-M12/50	50	100	20	18
F285-M16/25	25	125	26	24
F285-M16/50	50	125	26	24
F285-M20/30	30	155	31	28
F285-M20/60	60	155	31	28
F285-M24/30	30	180	35	32
F285-M24/60	60	180	35	32

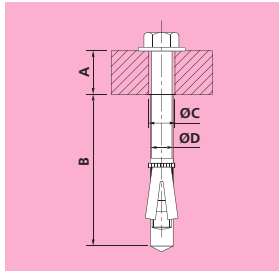
PART NUMBER	(MAX)A	B	C	D
F286-M8	14	80	11	10
F286-M10	21	90	13	12
F286-M12	28	110	15	14
F286-M16	38	125	19	18
F286-M20	48	170	25	24
F286-M24	54	210	29	28
F286-M27	60	240	31	30
F286-M30	70	270	36	35
F286-M33	80	300	38	37
F286-M36	90	330	41	40
F286-M39	100	360	43	42

Adhesive anchor: HVU capsule with HAS rod.

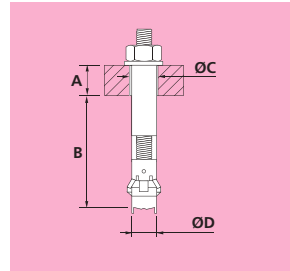
287 HILTI HST



288 HILTI HSL-TZ



289 HILTI HUC



Material: Carbon Steel. Also available in Stainless Steel

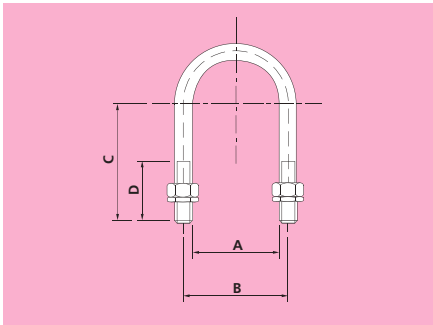
PART NUMBER	(MAX)A	B	C	D
F287-M8/95	30	65	9	8
F287-M10/110	30	80	12	10
F287-M12/145	50	95	14	12
F287-M12/215	120	95	14	12
F287-M16/165	50	115	18	16
F287-M16/215	100	115	18	16
F287-M20/200	60	140	22	20
F287-M20/270	130	140	22	20
F287-M24/230	60	170	26	24

PART NUMBER	(MAX)A	B	C	D
F288-M8/40	40	80	14	12
F288-M10/40	40	90	17	15
F288-M12/50	50	105	20	18
F288-M16/50	50	125	26	24
F288-M20/60	60	160	31	18
F288-M24/60	60	180	35	32

PART NUMBER	(MAX)A	B	C	D
F289-M12x125/25	30	155	27	25
F289-M12x125/50	50	155	27	25
F289-M12x125/75	75	155	27	25
F289-M16x170/30	35	200	33	30
F289-M16x170/60	60	200	33	30
F289-M16x170/90	90	200	33	30
F289-M20x220/30	35	260	35	32
F289-M20x220/60	60	260	35	32
F289-M20x220/90	90	260	35	32

Note: This item requires concrete undercutting tool.

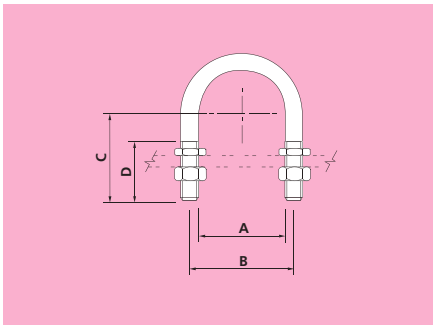
311 U BOLT GRIP TYPE -20°C to 350°C



Material: Carbon Steel. Also available in Stainless

PART No.	PIPE NB		Thread Size	A	B	C	D	Load Capacities (kg)		
	mm	in						Vertical	Lateral	Axial
F311-10	10	3/8	8	19	27	34	23	460	210	100
F311-15	15	1/2	8	23	31	36	25	460	170	80
F311-20	20	3/4	8	29	37	43	25	460	140	70
F311-25	25	1	8	37	45	44	25	460	100	50
F311-32	32	1 1/4	8	47	55	50	25	460	80	40
F311-40	40	1 1/2	10	50	60	61	35	720	140	70
F311-50	50	2	10	65	75	65	35	720	110	60
F311-65	65	2 1/2	12	78	90	86	45	1060	160	80
F311-80	80	3	16	92	108	98	50	2020	330	170
F311-100	100	4	16	119	135	110	50	2020	250	120
F311-125	125	5	16	144	160	123	50	2020	210	100
F311-150	150	6	20	170	190	141	55	3160	340	170
F311-200	200	8	20	225	245	176	65	3160	260	130
F311-250	250	10	20	280	300	203	65	3160	210	100
F311-300	300	12	20	330	350	228	65	3160	170	90
F311-350	350	14	24	361	385	251	75	4560	280	140
F311-400	400	16	24	411	435	285	80	4560	240	120
F311-450	450	18	24	461	485	300	70	4560	220	110
F311-500	500	20	24	516	540	334	75	4560	190	100
F311-600	600	24	24	616	640	383	75	4560	160	80

313 U BOLT NON GRIP TYPE -20°C to 350°C

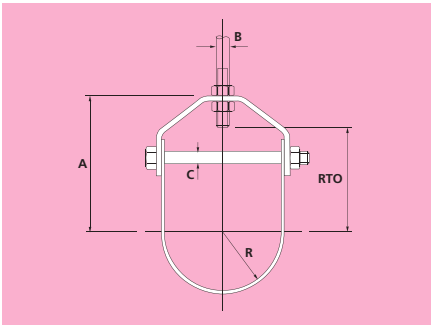


Material: Carbon Steel. Also available in Stainless

PART No.	PIPE NB		Thread Size	A	B	C	D	Load Capacities (kg)		
	mm	in						Vertical	Lateral	Axial
F313-10	10	3/8	8	28	36	23	23	170	130	70
F313-15	15	1/2	8	32	40	25	25	150	120	60
F313-20	20	3/4	8	37	45	33	30	140	100	50
F313-25	25	1	8	42	50	35	30	130	90	40
F313-32	32	1 1/4	8	52	60	40	30	110	70	40
F313-40	40	1 1/2	10	55	65	53	40	190	130	70
F313-50	50	2	10	70	80	60	40	160	100	50
F313-65	65	2 1/2	12	83	95	73	50	230	150	80
F313-80	80	3	16	94	110	85	55	470	310	160
F313-100	100	4	16	124	140	95	55	380	240	120
F313-125	125	5	16	149	165	108	55	330	200	100
F313-150	150	6	20	175	195	128	65	540	330	160
F313-200	200	8	20	230	250	150	65	430	250	130
F313-250	250	10	20	285	305	183	75	350	200	100
F313-300	300	12	20	335	355	208	75	310	170	90
F313-350	350	14	24	366	390	230	80	480	270	140
F313-400	400	16	24	416	440	255	80	430	240	120
F313-450	450	18	24	471	495	278	80	380	210	110
F313-500	500	20	24	521	545	303	80	350	190	100
F313-600	600	24	24	621	645	353	80	300	160	80

NB: For Figure 311 & 313 the stated axial load capacity assumes the use of shear lugs on the pipe to transfer the force in to the u-bolt.

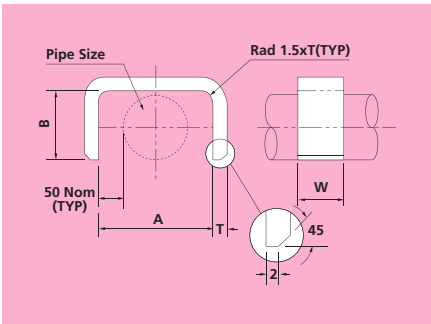
308 CLEVIS HANGER -20°C TO 100°C



Material: Carbon Steel

PART No.	PIPE NB		A	B	C	R	RTO	TOP	BOTTOM
	mm	in						STEEL	STEEL
								SIZE	SIZE
F308-15	15	1/2	60	M6	M6	11.0	39	25x3	25x3
F308-20	20	3/4	64	M6	M6	13.5	42	25x3	25x3
F308-25	25	1	65	M6	M6	17.0	45	25x3	25x3
F308-32	32	1 1/4	72	M10	M10	21.5	50	30x3	30x3
F308-40	40	1 1/2	76	M10	M10	24.5	54	30x3	30x3
F308-50	50	2	79	M10	M10	30.5	58	30x3	30x3
F308-65	65	2 1/2	105	M12	M12	38.0	74	40x5	40x3
F308-80	80	3	115	M12	M12	44.5	82	40x5	40x3
F308-100	100	4	140	M12	M12	57.5	101	40x5	40x3
F308-125	125	5	160	M16	M16	70.0	117	50x6	50x6
F308-150	150	6	183	M16	M16	86.0	137	50x6	50x6
F308-175	175	7	200	M20	M16	99.0	148	50x10	50x6
F308-200	200	8	215	M20	M16	112.0	162	50x10	50x6
F308-250	250	10	255	M20	M20	139.0	197	50x10	50x6
F308-300	300	12	283	M24	M20	165.0	221	50x12	50x10
F308-350	350	14	305	M24	M20	181.0	240	60x12	60x10
F308-400	400	16	336	M24	M24	206.0	270	60x12	60x10
F308-450	450	18	390	M24	M24	232.0	310	80x12	80x10
F308-500	500	20	440	M30	M24	258.0	344	80x15	80x12
F308-600	600	24	495	M30	M24	309.0	397	80x15	80x12
F308-750	750	30	610	M30	M42	385.0	499	80x20	80x12

314 WELDED OVERSTRAP TYPE 2A -20°C TO 350°C



Material: Carbon Steel

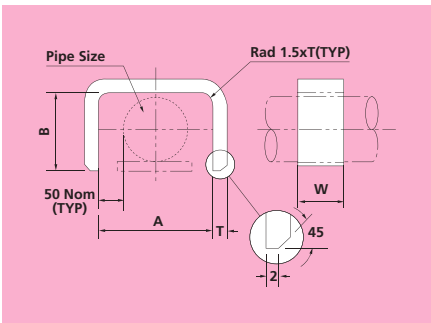
PART No.	PIPE SIZE	A	B	W	T	LOAD CAPACITIES			
						VERTICAL		AXIAL	
						kgf	kN	kgf	kN
F314-20	20	127	30	50	8	405	4.0	895	8.8
F314-25	25	133	37	50	8	395	3.9	750	7.4
F314-32	32	142	46	50	8	380	3.7	620	6.1
F314-40	40	148	52	50	8	370	3.6	560	5.5
F314-50	50	160	64	75	12	1150	11.3	1525	15.0
F314-80	80	189	93	75	12	1020	10.0	1095	10.7
F314-100	100	214	118	100	12	1240	12.2	1345	13.2
F314-150	150	268	172	140	20	3900	38.2	3325	32.6

For combined vertical and axial loading, use the following formula:-

$$\frac{P_v}{SWL_v} + \frac{P_{ax}}{SWL_{ax}} \leq 1$$

Order by: Fig number and pipe size.

315 WELDED OVERSTRAP TYPE 2B -20°C TO 350°C



Material: Stainless Steel Grade 316

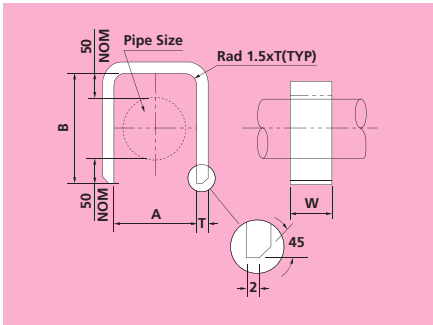
PART No.	PIPE SIZE	A	B	W	T	LOAD CAPACITIES			
						VERTICAL		AXIAL	
						kgf	kN	kgf	kN
F315-20	20	127	36	50	8	230	2.3	430	4.2
F315-25	25	133	43	50	8	225	2.2	370	3.6
F315-32	32	142	52	50	8	215	2.1	310	3.0
F315-40	40	148	58	50	8	210	2.1	285	2.8
F315-50	50	160	70	75	12	650	6.4	785	7.7
F315-80	80	189	99	75	12	575	5.6	575	5.6
F315-100	100	214	124	100	12	695	6.8	715	7.0
F315-150	150	268	268	140	20	2185	21.4	1790	17.6

For combined vertical and axial loading, use the following formula:-

$$\frac{P_v}{SWL_v} + \frac{P_{ax}}{SWL_{ax}} \leq 1$$

Order by: Fig number and pipe size.

316 WELDED OVERSTRAP TYPE 3A -20°C TO 350°C



Material: Carbon Steel

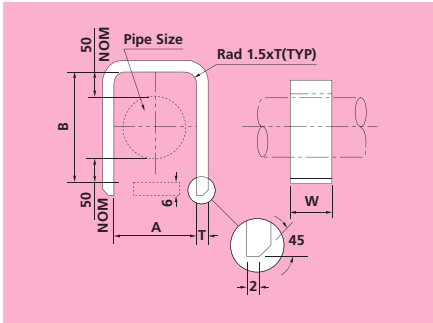
PART No.	PIPE SIZE	A	B	W	T	LOAD CAPACITIES			
						AXIAL		TRANSVERSE	
						kgf	kN	kgf	kN
F316-20	20	30	127	50	8	600	5.9	160	1.6
F316-25	25	37	133	50	8	575	5.6	155	1.5
F316-32	32	46	142	50	8	535	5.2	145	1.4
F316-40	40	52	148	50	8	515	5.1	140	1.4
F316-50	50	64	160	75	12	1610	15.8	425	4.2
F316-80	80	93	189	75	12	1360	13.3	355	3.5
F316-100	100	118	214	100	12	2135	20.9	430	4.2
F316-150	150	172	268	140	20	5575	54.7	1295	12.7

For combined axial and transverse loading, use the following formula:-

$$\frac{P_{AX}}{SWL_{AX}} + \frac{P_{TR}}{SWL_{TR}} \leq 1$$

Order by: Fig. number and pipe size.

317 WELDED OVERSTRAP TYPE 3B -20°C TO 350°C



Material: Stainless Steel Grade 316

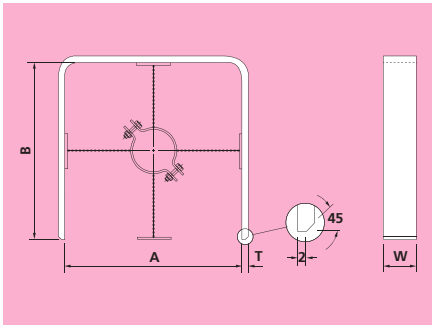
PART No.	PIPE SIZE	A	B	W	T	LOAD CAPACITIES			
						AXIAL		TRANSVERSE	
						kgf	kN	kgf	kN
F317-20	20	30	133	50	8	320	3.1	85	0.80
F317-25	25	37	139	50	8	305	3.0	80	0.80
F317-32	32	46	148	50	8	285	2.8	75	0.70
F317-40	40	52	154	50	8	275	2.7	75	0.70
F317-50	50	64	166	75	12	860	8.4	225	2.2
F317-80	80	93	195	75	12	735	7.2	195	1.9
F317-100	100	118	220	100	12	1155	11.3	230	2.3
F317-150	150	172	274	140	20	3030	29.7	705	6.9

For combined axial and transverse loading, use the following formula:-

$$\frac{P_{AX}}{SWL_{AX}} + \frac{P_{TR}}{SWL_{TR}} \leq 1$$

Order by: Fig. number and pipe size.

318 WELDED OVERSTRAP TYPE 4 -20°C TO 350°C



For combined vertical and transverse loading, use the following formula:-

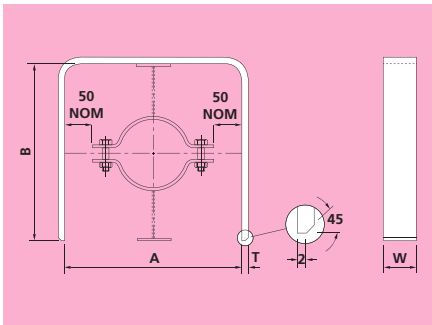
$$\frac{P_V}{SWL_V} + \frac{P_{TR}}{SWL_{TR}} \leq 1$$

Order by: Fig. number and pipe size.

Material: Carbon Steel

PART Nos.		PIPE SIZE	TWO SIZES AVAILABLE		W	T	LOAD CAPACITIES SIZE 1				LOAD CAPACITIES LOAD SIZE 2			
SIZE 1	SIZE 2		A&B	A&B			VERTICAL		TRANSVERSE		VERTICAL		TRANSVERSE	
							kgf	kN	kgf	kN	kgf	kN	kgf	kN
F318-1-20	F318-2-20	20	129	229	75	15	2415	23.7	760	7.5	1470	14.4	440	4.3
F318-1-25	F318-2-25	25	135	235	75	15	2325	22.8	725	7.1	1435	14.1	425	4.2
F318-1-32	F318-2-32	32	144	244	75	15	2200	21.6	685	6.7	1385	13.6	410	4.0
F318-1-40	F318-2-40	40	150	250	75	15	2125	20.8	660	6.5	1355	13.3	405	4.0
F318-1-50	F318-2-50	50	162	262	75	15	1990	19.5	610	6	1990	19.5	610	6.0
F318-1-65	F318-2-65	65	175	275	90	20	3805	37.3	1180	11.6	2580	25.3	770	7.6
F318-1-80	F318-2-80	80	192	292	90	20	3520	34.5	1080	10.6	2445	24.0	725	7.1

319 WELDED OVERSTRAP TYPE 5 -20°C TO 350°C

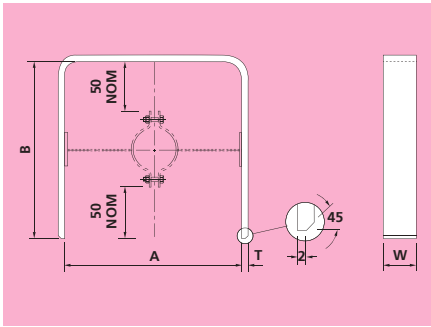


Order by: Fig. number and pipe size.

Material: Carbon Steel

PART Nos.		PIPE SIZE	A	TWO SIZES AVAILABLE		W	T	LOAD CAPACITY			
SIZE 1	SIZE 2			SIZE 1	SIZE 2			VERTICAL SIZE 1		VERTICAL SIZE 2	
								B	B	kgf	kN
F319-1-20	F319-2-20	20	229	129	229	75	15	1350	13.2	1470	14.4
F319-1-25	F319-2-25	25	235	135	235	75	15	1350	12.9	1435	14.1
F319-1-32	F319-2-32	32	244	144	244	75	15	1285	12.6	1385	13.6
F319-1-40	F319-2-40	40	250	150	250	75	15	1260	12.4	1355	13.3
F319-1-50	F319-2-50	50	262	162	262	75	15	1215	11.9	1300	12.7
F319-1-65	F319-2-65	65	275	175	275	90	20	2445	24.0	2580	25.3
F319-1-80	F319-2-80	80	292	192	292	90	20	2330	22.8	2445	24.0

320 WELDED OVERSTRAP TYPE 6 -20°C TO 350°C

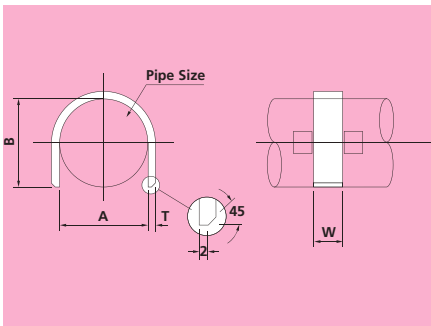


Order by: Fig. number and pipe size.

Material: Carbon Steel

PART Nos.		PIPE SIZE	TWO SIZES AVAILABLE		B	W	T	LOAD CAPACITY			
SIZE 1	SIZE 2		SIZE 1	SIZE 2				TRANSVERSE SIZE 1		TRANSVERSE SIZE 2	
			A	A				kgf	kN	kgf	kN
F320-1-20	F320-2-20	20	129	229	229	75	15	450	4.4	440	4.3
F320-1-25	F320-2-25	25	135	235	235	75	15	435	4.3	25	4.2
F320-1-32	F320-2-32	32	144	244	244	75	15	420	4.1	410	4.0
F320-1-40	F320-2-40	40	150	250	250	75	15	410	4.0	405	4.0
F320-1-50	F320-2-50	50	162	262	262	75	15	395	3.9	385	3.8
F320-1-65	F320-2-65	65	175	275	275	90	20	780	7.6	770	7.6
F320-1-80	F320-2-80	80	192	292	292	90	20	735	7.2	725	7.1

321 WELDED OVERSTRAP TYPE 1A -20°C TO 350°C



Material: Carbon Steel

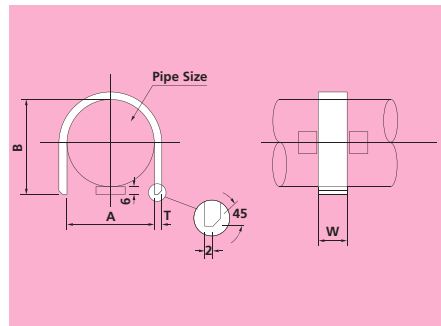
PART No.	PIPE SIZE	A	B	W	T	LOAD CAPACITY					
						VERTICAL		AXIAL		TRANSVERSE	
						kgf	kN	kgf	kN	kgf	kN
F321-20	20	30	30	50	8	1615	15.8	2125	20.8	585	5.7
F321-25	25	37	37	50	8	1390	13.6	2060	20.2	485	4.8
F321-32	32	46	46	50	8	1185	11.6	1655	16.2	400	3.9
F321-40	40	52	52	50	8	1075	10.5	1465	14.4	355	3.5
F321-50	50	64	64	75	12	2820	27.7	4020	39.4	965	9.5
F321-80	80	93	93	75	12	2105	20.6	2765	27.1	680	6.7
F321-100	100	118	118	100	20	5800	56.9	6460	63.4	1915	18.8
F321-150	150	172	172	140	25	9005	88.3	10860	106.5	2940	28.8

For combined vertical, axial and transverse loading, use the following formula:-

$$\frac{P_v}{SWL_v} + \frac{P_{ax}}{SWL_{ax}} + \frac{P_{tr}}{SWL_{tr}} \leq 1$$

Order by: Fig. number and pipe size.

322 WELDED OVERSTRAP TYPE 1B -20°C TO 350°C



Material: Stainless Steel Grade 316

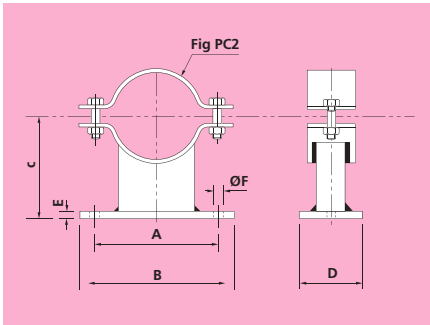
PART No.	PIPE SIZE	A	B	W	T	LOAD CAPACITY					
						VERTICAL		AXIAL		TRANSVERSE	
						kgf	kN	kgf	kN	kgf	kN
F322-20	20	30	36	50	8	800	7.8	1175	11.5	280	2.7
F322-25	25	37	43	50	8	700	6.9	985	9.7	240	2.4
F322-32	32	46	52	50	8	605	5.9	815	8.0	200	2.0
F322-40	40	52	58	50	8	555	5.4	730	7.2	180	1.8
F322-50	50	64	70	75	12	1475	14.5	2040	20.0	495	4.9
F322-80	80	93	99	75	12	1115	10.9	1445	14.2	360	3.5
F322-100	100	118	124	100	20	3055	30.5	3415	33.5	1020	10.0
F322-150	150	172	178	140	25	4880	47.9	5830	57.2	1585	15.5

For combined vertical, axial and transverse loading, use the following formula:-

$$\frac{P_v}{SWL_v} + \frac{P_{ax}}{SWL_{ax}} + \frac{P_{tr}}{SWL_{tr}} \leq 1$$

Order by: Fig. number and pipe size.

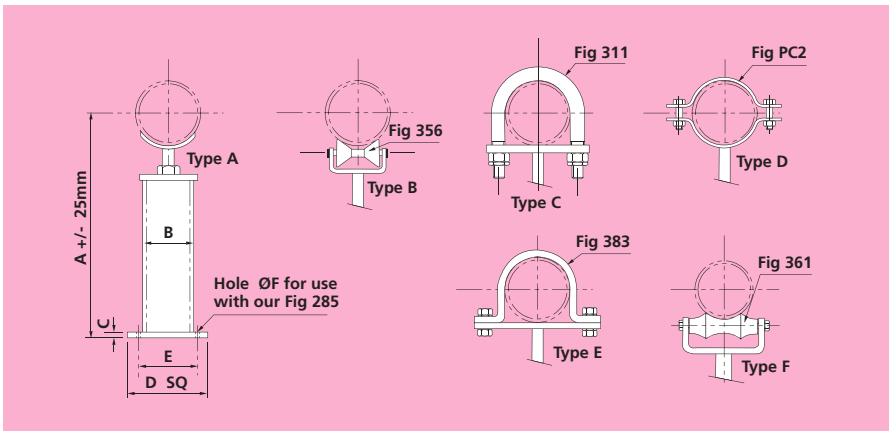
342 OFFSET PIPE CLAMP -20°C TO 350°C



Material: Carbon Steel

PART No.	PIPE SIZE	A	B	C	D	E	F	LOAD CAPACITY	
								kgf	kN
F342-15	15	60	100	55	35	5	12	280	2.7
F342-20	20	70	110	55	35	5	12	280	2.7
F342-25	25	70	110	60	35	5	12	280	2.7
F342-32	32	80	120	70	35	8	14	280	2.7
F342-40	40	90	130	80	35	8	14	280	2.7
F342-50	50	100	140	85	35	8	14	280	2.7
F342-65	65	110	160	90	45	10	18	450	4.4
F342-80	80	120	170	95	45	10	18	450	4.4
F342-100	100	140	190	110	45	10	18	450	4.4
F342-125	125	160	210	120	45	10	18	450	4.4
F342-150	150	180	230	135	45	10	18	450	4.4
F342-200	200	220	270	160	60	10	18	520	5.1

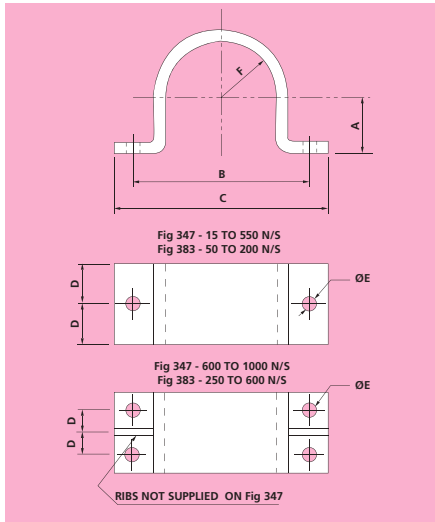
348 ADJUSTABLE PEDESTAL SUPPORT -20°C TO 350°C



Material: Carbon Steel Order by Part No., Type, Pipe Size & Height 'A'

PART No.	B	C	D	E	ØF	Recommended Type 285 Fixing Bolt	LOAD CAPACITY (kg) AT HEIGHT A =					
							500	1000	1500	2000	2500	3000
F348-1	60.3	10	170	130	15	M10	490	250	160	120	90	70
F348-2	76.1	12	200	150	18	M12	800	410	270	200	150	130
F348-3	88.9	15	240	190	18	M12	1110	570	380	280	220	180
F348-4	114.3	20	280	220	24	M16	2050	1070	720	540	420	350
F348-5	139.7	20	400	320	28	M20	4110	2170	1470	1110	880	730
F348-6	168.3	25	440	360	32	M24	5930	3180	2170	1640	1310	1090
F348-7	219.1	25	660	580	32	M24	9850	5380	3700	2810	2260	1890

347 HOLD DOWN PIPE CLAMP 383 ANCHOR HOLD DOWN CLAMP

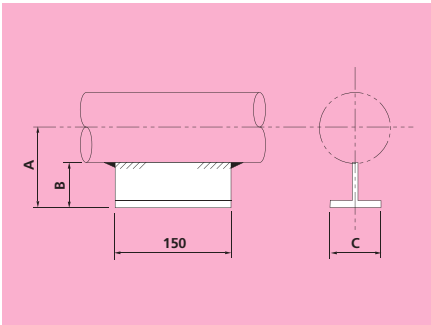


Material: Carbon Steel

PART No.	PIPE SIZE	PIPE O/D	A	B	C	D	OE	F	STEEL SIZE
F347-15	15	21.3	10	70	110	17.5	12	11.5	35x5
F347-20	20	26.9	13	80	120	17.5	12	14	35x5
F347-25	25	33.7	16	90	130	17.5	12	18	35x5
F347-32	32	42.4	20	110	140	17.5	15	22	35x8
F347-40	40	48.3	23	120	160	17.5	15	25	35x8
F347-50	50	60.3	29	130	170	17.5	15	31	35x8
F347-65	65	76.1	36	160	210	22.5	19	40	45x10
F347-80	80	88.9	43	180	230	22.5	19	46	45x10
F347-100	100	114.3	55	210	260	22.5	19	59	45x10
F347-125	125	139.7	68	240	300	30.0	24	72	60x10
F347-150	150	168.3	82	270	330	30.0	24	86	60x10
F347-175	175	193.7	95	310	370	27.5	24	99	55x15
F347-200	200	219.1	107	340	400	27.5	24	112	55x15
F347-225	225	244.5	122	360	420	27.5	24	124	55x15
F347-250	250	273.0	135	390	450	27.5	24	138	55x15
F347-300	300	323.9	162	440	500	27.5	24	164	55x15
F347-350	350	355.6	172	480	540	27.5	24	180	55x15
F347-400	400	406.4	202	530	600	30.0	28	205	60x15
F347-450	450	457.0	228	590	660	30.0	28	231	60x15
F347-500	500	508.0	258	640	710	30.0	28	256	60x15
F347-550	550	559.0	278	690	760	30.0	28	282	60x15
F347-600	600	610	305	730	790	30.0	24	308	100x15
F347-650	650	660	328	780	840	30.0	24	333	100x15
F347-700	700	711	355	830	890	30.0	24	358	100x15
F347-750	750	762	380	890	950	30.0	24	385	100x15
F347-800	800	813	405	970	1040	33.0	28	410	110x20
F347-850	850	864	430	1020	1090	33.0	28	435	110x20
F347-900	900	914	455	1070	1140	33.0	28	460	110x20
F347-1000	1000	1016	507	1170	1240	33.0	28	511	110x20

PART No.	PIPE SIZE	PIPE O/D	A	B	C	D	OE	F	STEEL SIZE
F383-50	50	60.3	27	150	210	40	22	31	80x10
F383-65	65	76.1	34	170	230	40	22	40	80x10
F383-80	80	88.9	40	180	240	40	22	46	80x10
F383-100	100	114.3	53	210	270	40	22	59	80x10
F383-125	125	139.7	65	240	300	40	22	72	80x10
F383-150	150	168.3	80	280	350	75	27	86	150x12
F383-200	200	219.1	105	330	400	75	27	112	150x12
F383-250	250	273.0	131	390	460	65	27	139	200x12
F383-300	300	323.9	156	440	510	65	27	165	200x12
F383-350	350	355.6	172	470	540	75	27	181	250x12
F383-400	400	406.4	198	520	590	75	27	206	250x12
F383-450	450	457.0	222	570	640	90	27	232	300x12
F383-500	500	508.0	247	620	690	90	27	258	300x12
F383-600	600	610	298	730	800	90	27	309	300x12

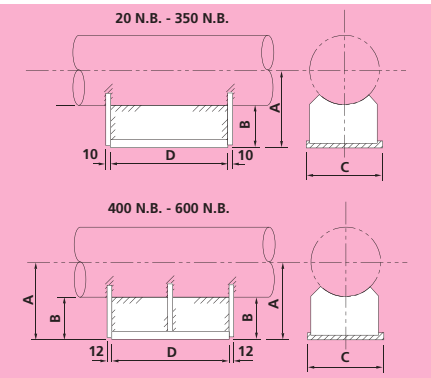
349 PIPE BASE LIGHT DUTY MAX. 150 N.B.



Material: Carbon Steel

PART No.	PIPE N.B.	A	B	C	LOAD CAPACITY	
					kgf	kN
F349-20	20	76	62	76	150	1.5
F349-25	25	79	62	76	150	1.5
F349-32	32	83	62	76	150	1.5
F349-40	40	86	62	76	150	1.5
F349-50	50	92	62	76	150	1.5
F349-65	65	100	62	76	150	1.5
F349-80	80	106	62	76	150	1.5
F349-100	100	132	75	89	150	1.5
F349-125	125	170	100	102	150	1.5
F349-150	150	184	100	102	150	1.5

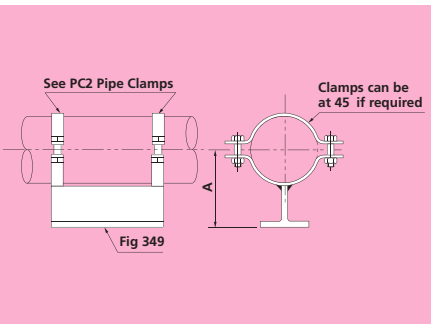
350 PIPE BASE HEAVY DUTY



Material: Carbon Steel

PART No.	PIPE N.B.	A	B	C	D	LOAD CAPACITY	
						kgf	kN
F350-20	20	76	62	76	150	1200	11.8
F350-25	25	79	62	76	150	1200	11.8
F350-32	32	83	62	76	150	1200	11.8
F350-40	40	86	62	76	150	1200	11.8
F350-50	50	92	62	76	150	1200	11.8
F350-65	65	100	62	76	150	1200	11.8
F350-80	80	106	62	76	150	1200	11.8
F350-100	100	132	75	89	150	1200	11.8
F350-125	125	170	100	102	150	1200	11.8
F350-150	150	184	100	102	150	1200	11.8
F350-175	175	197	100	203	200	2000	19.6
F350-200	200	210	100	203	200	2000	19.6
F350-225	225	222	100	203	200	2000	19.6
F350-250	250	237	100	203	200	2000	19.6
F350-300	300	262	100	203	200	4000	39.2
F350-350	350	278	100	203	200	4000	39.2
F350-400	400	304	100	203	300	9000	88.3
F350-450	450	329	100	203	300	12000	117.7
F350-500	500	354	100	203	300	12000	117.7
F350-550	550	380	100	203	300	12000	117.7
F350-600	600	405	100	203	300	14000	137.3

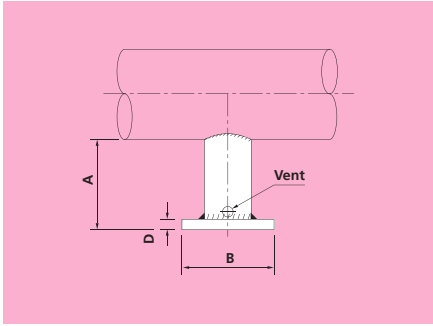
351 PIPE CLAMP BASE LIGHT DUTY MAX. 150 N.B.



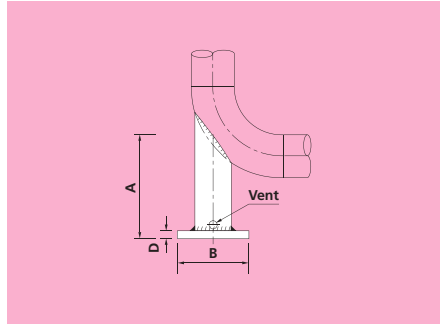
Material: Carbon Steel

PART No.	PIPE N.B.	A	LOAD CAPACITY	
			kgf	kN
F351-20	20	81	150	1.5
F351-25	25	85	150	1.5
F351-32	32	89	150	1.5
F351-40	40	92	150	1.5
F351-50	50	98	150	1.5
F351-65	65	107	150	1.5
F351-80	80	113	150	1.5
F351-100	100	139	150	1.5
F351-125	125	177	150	1.5
F351-150	150	191	150	1.5

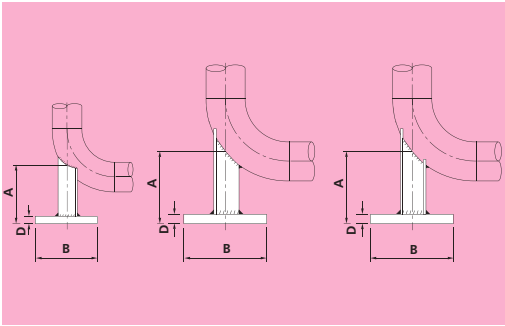
353A TUBULAR BASE



353B TUBULAR BASE



354 SECTIONAL BASE



353A, 353B and 354:

These components are designed to suit the application.

When specifying these items, the designer should satisfy himself that stress levels in the pipe wall are acceptable.

Material must be compatible with the pipe.

1

2

3

4

5

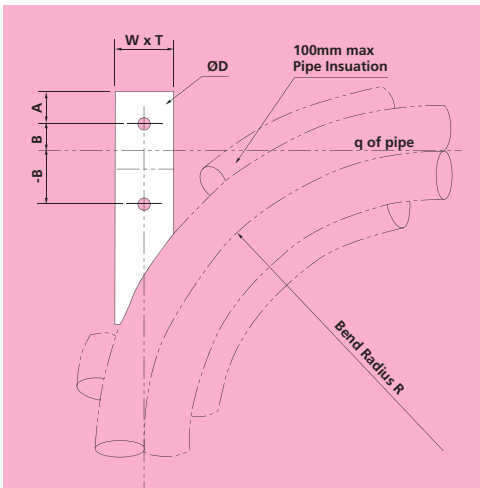
6

7

8

9

358 PIPE LUG ATTACHMENT



Quoted load capacities refer to the lug itself and not to the interface with the pipe.

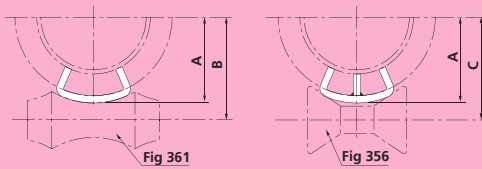
The designer should satisfy himself that stress levels in the pipe wall are acceptable.

Material must be compatible with the pipe.

Order by Part No. and Bend Radius R.

PART No.	PIPE SIZE	WxT	A	ØD	R=1.5D B	R=3D B	R=5D B	LOAD CAPACITY	
								kgf	kN
F358-50	50	50x8	25	14	137	101	40	530	5.2
F358-65	65	60x10	35	18	137	89	7	1010	9.9
F358-80	80	60x10	35	18	137	77	-22	1010	9.9
F358-100	100	60x10	35	18	137	53	-82	1010	9.9
F358-125	125	60x10	35	18	135	28	-143	1010	9.9
F358-150	150	60x10	35	18	133	0	-214	1010	9.9
F358-175	175	60x10	40	22	146	-10	-256	1580	15.5
F358-200	200	60x10	40	22	143	-37	-320	1580	15.5
F358-225	225	60x10	40	22	141	-65	-385	1580	15.5
F358-250	250	60x10	40	22	137	-96	-459	1580	15.5
F358-300	300	60x12	50	26	139	-144	-580	2280	22.4
F358-350	350	100x15	60	33	134	-180	-663	3650	35.8
F358-400	400	100x15	60	33	198	-237	-797	3650	35.8
F358-450	450	100x20	75	39	119	-285	-917	5340	52.4
F358-500	500	100x20	75	39	120	-344	-1053	5340	52.4
F358-550	550	100x20	75	39	112	-403	-1188	5340	52.4
F358-600	600	110x25	85	45	113	-452	-1311	7400	72.6

PIPE COVERING PROTECTION SADDLES



Material: Carbon Steel. Other materials available

355A FOR 25mm NOMINAL INSULATION

PART No.	PIPE SIZE	A	B	C	INSULATION THICKNESS	USE WITH FIG.361 ROLLER SIZE	USE WITH FIG.356 ROLLER SIZE	LOAD CAPACITY	
								kgf	kN
F355A-20	20	41	52	59	24	65	50-80	300	2.9
F355A-25	25	49	59	67	29	80	50-80	318	3.1
F355A-32	32	49	59	67	24	80	50-80	318	3.1
F355A-40	40	56	71	73	29	100	50-80	340	3.3
F355A-50	50	59	76	78	29	100	50-80	340	3.3
F355A-65	65	67	83	84	29	125	100-150	425	4.2
F355A-80	80	75	91	91	29	125	100-150	425	4.2
F355A-100	100	87	106	106	29	150	100-150	485	4.8
F355A-125	125	102	121	121	29	200	100-150	600	5.9
F355A-150	150	114	133	145	25	200	200-250	950	9.3
F355A-200	200	141	164	168	29	250	200-250	950	9.3

355B FOR 40mm NOMINAL INSULATION

PART No.	PIPE SIZE	A	B	C	INSULATION THICKNESS	USE WITH FIG.361 ROLLER SIZE	USE WITH FIG.356 ROLLER SIZE	LOAD CAPACITY	
								kgf	kN
F355B-20	20	57	73	75	38	100	50-80	340	3.3
F355B-25	25	59	76	78	41	100	50-80	340	3.3
F355B-32	32	59	83	85	43	125	50-80	340	3.3
F355B-40	40	70	85	89	40	125	100-150	425	4.2
F355B-50	50	75	91	94	41	125	100-150	425	4.2
F355B-65	65	87	103	106	48	150	100-150	485	4.8
F355B-80	80	87	105	106	40	150	100-150	485	4.8
F355B-100	100	100	119	127	40	200	200-250	950	9.3
F355B-125	125	114	133	141	40	200	200-250	950	9.3
F355B-150	150	125	151	154	38	250	200-250	950	9.3
F355B-200	200	154	183	181	40	300	200-250	1088	10.7
F355B-250	250	183	219	211	41	350	300-350	1400	13.7
F355B-300	300	208	240	237	41	400	300-350	1800	17.7
F355B-350	350	221	256	252	38	450	400-500	2250	22.1
F355B-400	400	246	288	278	38	500	400-500	2250	22.1
F355B-450	450	271	319	303	38	600	600	2800	27.5
F355B-500	500	297	345	329	38	600	600	2800	27.5
F355B-600	600	348	405	387	38	750	750	3400	33.3

355C FOR 50mm NOMINAL INSULATION

PART No.	PIPE SIZE	A	B	C	INSULATION THICKNESS	USE WITH FIG.361 ROLLER SIZE	USE WITH FIG.356 ROLLER SIZE	LOAD CAPACITY	
								kgf	kN
F355C-20	20	70	85	89	51	125	50-80	340	3.3
F355C-25	25	73	89	92	54	125	50-80	340	3.3
F355C-32	32	78	94	97	49	125	50-80	340	3.3
F355C-40	40	87	105	108	59	150	100-150	485	4.8
F355C-50	50	92	110	110	54	150	100-150	485	4.8
F355C-65	65	98	116	117	59	150	100-150	485	4.8
F355C-80	80	100	119	121	52	200	100-150	600	5.9
F355C-100	100	113	132	140	52	200	200-250	950	9.3
F355C-125	125	127	146	154	52	200	200-250	950	9.3
F355C-150	150	141	165	168	52	250	200-250	950	9.3
F355C-200	200	167	195	197	52	300	200-250	1088	10.7
F355C-250	250	195	229	224	54	400	300-350	1800	17.7
F355C-300	300	221	230	232	54	450	400-500	2250	22.1
F355C-350	350	233	268	265	51	450	400-500	2250	22.1
F355C-400	400	259	302	291	51	500	400-500	2250	22.1
F355C-450	450	284	332	316	51	600	600	2800	27.5
F355C-500	500	310	357	241	51	600	600	2800	27.5
F355C-600	600	360	421	400	51	750	700	3400	33.3

PIPE COVERING PROTECTION SADDLES

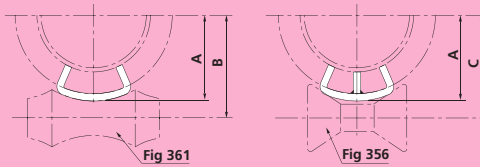


Fig 361

Fig 356

Material: Carbon Steel. Other materials available

355D FOR 65mm NOMINAL INSULATION

PART No.	PIPE SIZE	A	B	C	INSULATION THICKNESS	USE WITH FIG.361 ROLLER SIZE	USE WITH FIG.356 ROLLER SIZE	LOAD CAPACITY	
								kgf	kN
F355D-40	40	100	119	119	73	200	100-150	600	5.9
F355D-50	50	105	124	124	67	200	100-150	600	5.9
F355D-65	65	110	133	133	73	200	100-150	600	5.9
F355D-80	80	117	141	141	65	200	100-150	600	5.9
F355D-100	100	125	149	154	65	250	200-250	950	9.3
F355D-125	125	140	164	168	65	250	200-250	950	9.3
F355D-150	150	154	184	186	65	300	200-250	1088	10.7
F355D-200	200	183	219	211	68	350	300-350	1400	13.7
F355D-250	250	208	241	237	67	400	300-350	1800	17.7
F355D-300	300	233	265	262	67	450	400-500	2250	22.1
F355D-350	350	246	295	284	64	500	400-500	2250	22.1
F355D-400	400	271	321	310	64	500	400-500	2250	22.1
F355D-450	450	297	351	335	64	600	600	2800	27.5
F355D-500	500	322	376	360	64	600	600	2800	27.5
F355D-600	600	373	437	419	64	750	750	3400	33.3

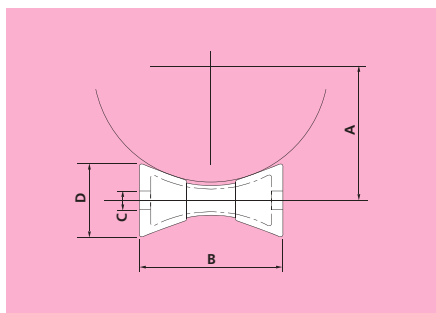
355E FOR 80mm NOMINAL INSULATION

PART No.	PIPE SIZE	A	B	C	INSULATION THICKNESS	USE WITH FIG.361 ROLLER SIZE	USE WITH FIG.356 ROLLER SIZE	LOAD CAPACITY	
								kgf	kN
F355E-50	50	117	141	146	79	250	200-250	950	9.3
F355E-65	65	124	148	152	84	250	200-250	950	9.3
F355E-80	80	125	146	151	78	250	200-250	950	9.3
F355E-100	100	140	164	168	79	250	200-250	950	9.3
F355E-125	125	154	178	183	78	250	200-250	950	9.3
F355E-150	150	167	192	194	78	300	300-350	1350	13.2
F355E-200	200	194	230	222	79	350	300-350	1400	13.7
F355E-250	250	221	254	252	79	400	400-500	2250	22.1
F355E-300	300	246	281	278	79	450	400-500	2250	22.1
F355E-350	350	259	302	291	76	500	400-500	2250	22.1
F355E-400	400	284	332	316	76	600	600	2800	27.5
F355E-450	450	310	357	341	76	600	600	2800	27.5
F355E-500	500	335	392	375	76	750	750	3400	33.3
F355E-600	600	386	443	425	76	750	750	3400	33.3

355F FOR 100mm NOMINAL INSULATION

PART No.	PIPE SIZE	A	B	C	INSULATION THICKNESS	USE WITH FIG.361 ROLLER SIZE	USE WITH FIG.356 ROLLER SIZE	LOAD CAPACITY	
								kgf	kN
F355F-100	100	167	194	189	105	300	200-250	1088	10.7
F355F-125	125	181	218	225	108	350	300-350	1400	13.7
F355F-150	150	195	232	221	105	350	300-350	1400	13.7
F355F-200	200	221	256	252	106	450	400-500	2250	22.1
F355F-250	250	246	288	278	105	500	400-500	2250	22.1
F355F-300	300	271	313	303	105	500	400-500	2250	22.1
F355F-350	350	284	332	316	102	600	600	2800	27.5
F355F-400	400	310	357	341	102	600	600	2800	27.5
F355F-450	450	335	383	367	102	600	600	2800	27.5
F355F-500	500	360	418	400	102	750	750	3400	33.3
F355F-600	600	411	463	451	102	750	750	3400	33.3

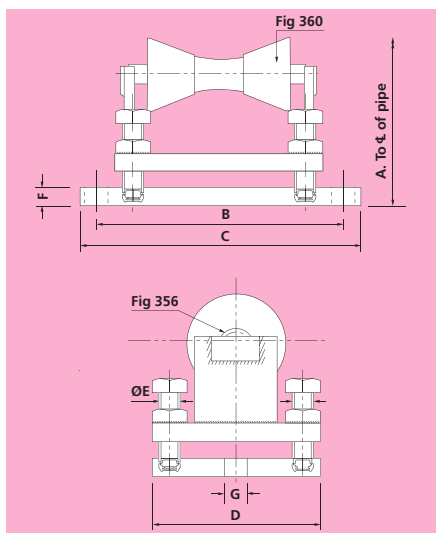
356 PIPE ROLLER — SHORT PATTERN



Material: Cast Iron

PART No.	PIPE SIZE	A	B	C	D	LOAD CAPACITY	
						kgf	kN
F356-50	50	46	70	14	48	175	1.7
F356-65	65	52	70	14	48	175	1.7
F356-80	80	62	70	14	48	175	1.7
F356-100	100	71	95	14	54	425	4.2
F356-125	125	87	95	14	54	425	4.2
F356-150	150	102	95	14	54	425	4.2
F356-200	200	133	150	22	83	950	9.3
F356-250	250	162	150	22	83	950	9.3
F356-300	300	190	200	26	102	1350	13.2
F356-350	350	206	200	26	102	1350	13.2
F356-400	400	235	232	32	114	2250	22.1
F356-450	450	263	232	32	114	2250	22.1
F356-500	500	292	232	32	114	2250	22.1
F356-600	600	350	254	38	114	2750	27.0
F356-750	750	438	318	44	140	3400	33.3
F356-900	900	514	375	50	162	5400	53.0
F356-1050	1050	590	375	50	162	5400	53.0
F356-1200	1200	667	375	50	162	5400	53.0

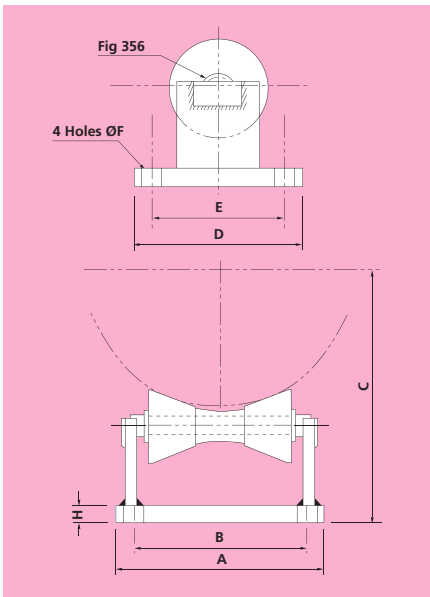
357 PIPE ROLLER AND ADJUSTABLE STAND



Material: Cast Iron and Carbon Steel

PART No.	PIPE SIZE	A MIN	A MAX	B	C	D	E	F	G	LOAD CAPACITY	
										kgf	kN
F357-50	50	110	150	150	198	110	16	15	18	175	1.7
F357-65	65	116	156	150	198	110	16	15	18	175	1.7
F357-80	80	126	166	150	198	110	16	15	18	175	1.7
F357-100	100	153	133	190	250	120	16	20	21	425	4.2
F357-125	125	169	209	190	250	120	16	20	21	425	4.2
F357-150	150	184	224	190	250	120	16	20	21	425	4.2
F357-200	200	229	269	250	310	155	20	20	21	950	9.3
F357-250	250	258	298	250	310	155	20	20	21	950	9.3
F357-300	300	301	341	320	392	195	24	25	26	1350	13.2
F357-350	350	317	357	320	392	195	24	25	26	1350	13.2
F357-400	400	353	393	365	437	237	24	25	26	2250	22.1
F357-450	450	381	421	365	437	237	24	25	26	2250	22.1
F357-500	500	410	450	365	437	237	24	25	26	2250	22.1
F357-600	600	473	513	390	462	237	24	25	26	2750	27.0
F357-750	750	585	625	470	542	290	30	30	26	3400	33.3
F357-900	900	686	726	540	612	315	36	40	26	5400	53.0
F357-1050	1050	762	802	540	612	315	36	40	26	5400	53.0
F357-1200	1200	839	879	540	612	315	36	40	26	5400	53.0

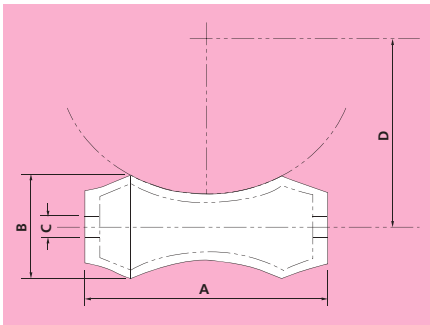
360 PIPE ROLLER AND STAND



Material: Cast Iron and Carbon Steel

PART No.	PIPE SIZE	A	B	C	D	E	F	H	LOAD CAPACITY	
									kgf	kN
F360-50	50	115	85	95	110	80	12	15	175	1.7
F360-65	65	115	85	101	110	80	12	15	175	1.7
F360-80	80	115	85	111	110	80	12	15	175	1.7
F360-100	100	150	120	133	120	90	12	20	425	4.2
F360-125	125	150	120	149	120	90	12	20	425	4.2
F360-150	150	150	120	164	120	90	12	20	425	4.2
F360-200	200	210	174	209	155	115	14	20	950	9.3
F360-250	250	210	174	238	155	115	14	20	950	9.3
F360-300	300	275	215	276	195	135	22	25	1350	13.3
F360-350	350	275	215	292	195	135	22	25	1350	13.3
F360-400	400	320	248	328	237	165	27	25	2250	22.1
F360-450	450	320	248	356	237	165	27	25	2250	22.1
F360-500	500	320	248	385	237	165	27	25	2250	22.1
F360-600	600	345	273	448	237	165	27	25	2750	27.0
F360-750	750	425	335	555	290	200	33	30	3400	33.3
F360-900	900	495	405	646	315	225	33	40	5400	53.0
F360-1050	1050	495	405	722	315	225	33	40	5400	53.0
F360-1200	1200	495	405	799	315	225	33	40	5400	53.0

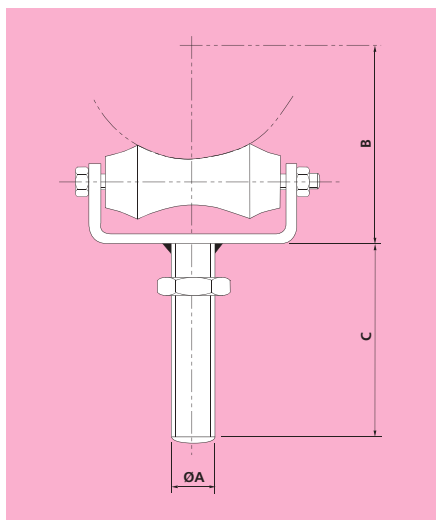
361 PIPE ROLLER



Material: Cast Iron

PART No.	PIPE SIZE	A	B	C	D	LOAD CAPACITY	
						kgf	kN
F361-25	25	25	20	12	27	275	2.7
F361-32	32	37	21	12	32	275	2.7
F361-40	40	40	22	12	35	275	2.7
F361-50	50	44	24	12	41	275	2.7
F361-65	65	60	29	14	49	300	2.9
F361-80	80	94	35	14	57	318	3.1
F361-100	100	94	35	14	71	340	3.3
F361-125	125	146	49	20	87	340	3.3
F361-150	150	146	49	20	103	485	4.7
F361-200	200	228	69	24	130	600	5.9
F361-250	250	280	85	27	159	785	7.7
F361-300	300	330	100	27	189	1068	10.7
F361-350	350	361	120	27	213	1400	13.7
F361-400	400	412	130	27	240	1800	17.6
F361-450	450	463	138	27	267	1900	18.6
F361-500	500	514	152	33	295	2000	19.6
F361-600	600	615	183	33	365	2800	27.5
F361-750	750	770	219	50	443	3300	32.4
F361-900	900	914	251	66	521	5000	49.0

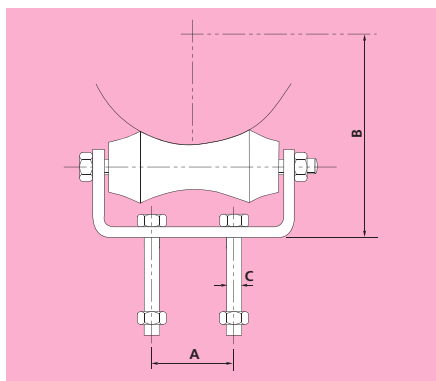
362 ADJUSTABLE SUPPORT ROLLER CHAIR



Material: Cast Iron and Carbon Steel

PART No.	PIPE SIZE	A	B	C	STEEL SIZE	SWL	
						kgf	kN
F362-25	25	12	59	150	25x5	275	2.7
F362-32	32	12	67	150	25x5	275	2.7
F362-40	40	12	70	150	25x5	275	2.7
F362-50	50	12	78	150	30x6	275	2.7
F362-65	65	12	90	150	30x6	300	2.9
F362-80	80	12	100	150	40x6	318	3.1
F362-100	100	16	125	150	40x6	340	3.3
F362-125	125	16	145	150	50x10	340	3.3
F362-150	150	20	165	150	50x10	485	4.7
F362-200	200	20	200	150	50x12	600	5.9
F362-250	250	24	240	150	65x12	785	7.7
F362-300	300	24	280	150	65x12	1088	10.7
F362-350	350	30	310	150	80x12	1400	13.7
F362-400	400	30	343	150	80x12	1800	17.6
F362-450	450	30	370	150	80x12	1900	18.6
F362-500	500	36	410	150	100x12	2000	19.6
F362-600	600	36	500	150	100x16	2800	27.5

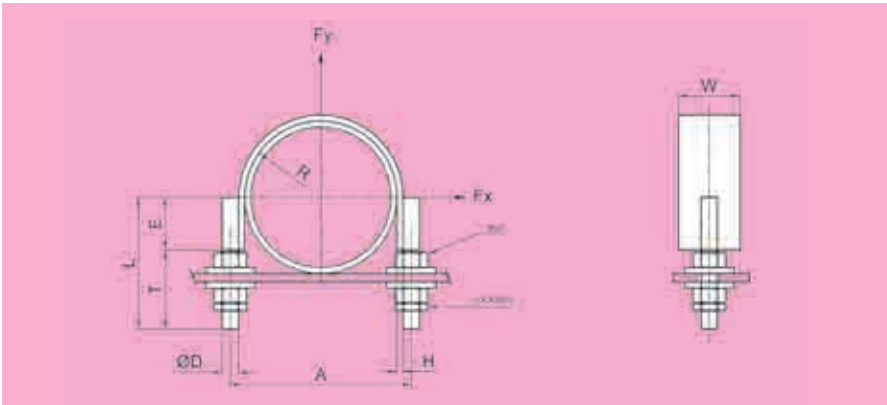
365 SUPPORT ROLLER CHAIR



Material: Cast Iron and Carbon Steel

PART No.	PIPE SIZE	A	B	BOLT SIZE C	STEEL SIZE	SWL	
						kgf	kN
F365-25	25	1 hole	59	M10x30	25x5	275	2.7
F365-32	32	1 hole	67	M10x30	25x5	275	2.7
F365-40	40	1 hole	70	M10x30	25x5	275	2.7
F365-50	50	30	78	M10x30	30x6	275	2.7
F365-65	65	30	90	M10x30	40x6	300	2.9
F365-80	80	50	100	M10x30	40x6	318	3.1
F365-100	100	50	125	M10x30	40x10	340	3.3
F365-125	125	80	145	M12x40	50x10	340	3.3
F365-150	150	80	165	M12x40	50x10	485	4.7
F365-200	200	85	200	M16x40	50x12	600	5.9
F365-250	250	135	240	M16x45	65x12	785	7.7
F365-300	300	140	280	M16x45	65x12	1088	10.7
F365-350	350	165	310	M20x50	80x12	1400	13.7
F365-400	400	210	340	M20x70	80x12	1800	17.6
F365-450	450	235	370	M20x70	80x12	1900	18.6
F365-500	500	260	410	M20x70	80x12	2000	19.6
F365-600	600	310	500	M20x90	100x16	2800	27.5

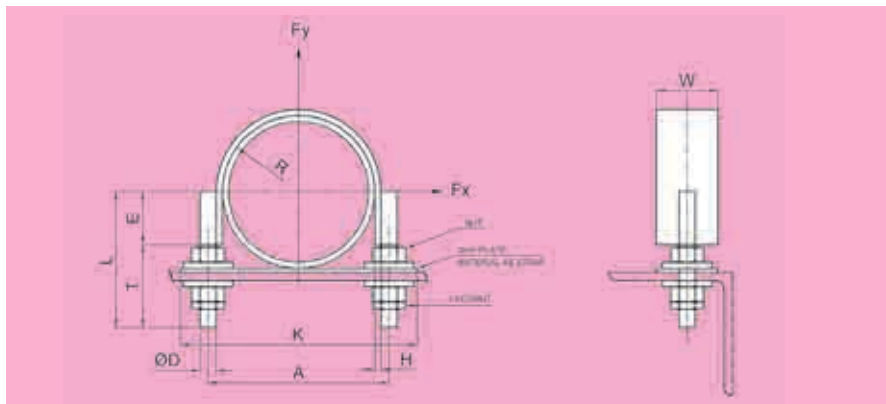
371 U-STRAP (GRIP TYPE CS)



4 nuts, 2 locknuts and 4 washers per strap
Material: Carbon Steel

PART NUMBERS	LINE SIZE		R	A	W	STRAP H	STUD SIZE				MAX LOAD(kN)		WEIGHT kg	LINER D.L'TH
	mm	in					D	L	T	E	Fy	Fx		
F371-50	DN50	2"	32	86	50	6	10	80	65	15	16	3.5	0.5	131
F371-80	DN80	3"	47	118	50	6	12	95	70	25	24	3.0	0.7	198
F371-100	DN100	4"	59	142	50	6	12	115	85	30	24	2.5	0.8	245
F371-125	DN125	5"	73	170	50	6	12	130	95	35	24	2.0	1.0	299
F371-150	DN150	6"	86	200	50	6	16	155	100	55	45	2.5	1.4	380
F371-200	DN200	8"	112	252	50	6	16	180	100	80	45	2.0	1.7	512
F371-250	DN250	10"	139	318	65	10	20	210	100	100	70	4.0	4.2	637
F371-300	DN300	12"	164	368	65	10	20	245	115	130	70	3.5	5.0	775

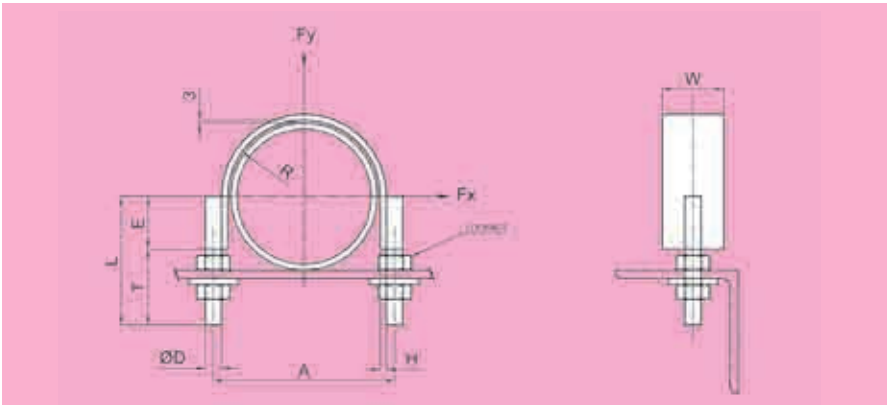
372 U-STRAP (GRIP TYPE SS)



4 nuts, 2 locknuts and 4 washers per strap
Material: Stainless Steel Grade 316

PART NUMBERS	LINE SIZE		R	A	K	W	STRAP H	STUD SIZE				MAX LOAD(kN)		WEIGHT kg	LINER D.L'TH
	mm	in						D	L	T	E	Fy	Fx		
F372-50	DN50	2"	32	86	130	50	6	10	80	65	15	16	3.5	0.6	131
F372-80	DN80	3"	47	118	165	50	6	12	95	70	25	24	3.0	0.9	198
F372-100	DN100	4"	59	142	190	50	6	12	115	85	30	24	2.5	1.1	245
F372-125	DN125	5"	73	170	225	50	6	12	130	95	35	24	2.0	1.2	299
F372-150	DN150	6"	86	200	260	50	6	16	155	100	55	45	2.5	1.7	380
F372-200	DN200	8"	112	252	310	50	6	16	180	100	80	45	2.0	2.1	512
F372-250	DN250	10"	139	318	380	65	10	20	210	110	100	70	4.0	4.8	637
F372-300	DN300	12"	164	368	430	65	10	20	245	115	130	70	3.5	5.6	775

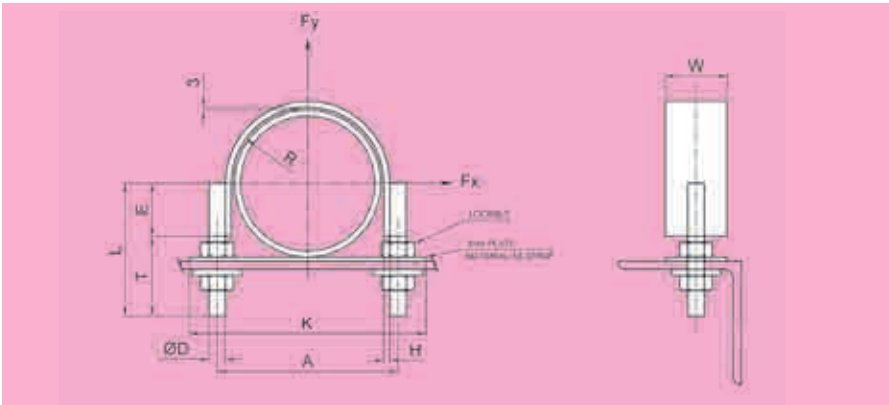
373 U-STRAP (NON-GRIP TYPE CS)



4 nuts and 2 washers per strap
Material: Carbon Steel

PART NUMBERS	LINE SIZE		R	A	W	STRAP H	STUD SIZE				MAX LOAD(kN)		WEIGHT kg	LINER D.L'TH
	mm	in					D	L	T	E	Fy	Fx		
F373-50	DN50	2"	35	92	50	6	10	80	65	15	16	3.5	0.5	140
F373-80	DN80	3"	50	124	50	6	12	95	70	25	24	3.0	0.7	207
F373-100	DN100	4"	62	148	50	6	12	115	85	30	24	2.5	0.8	255
F373-125	DN125	5"	76	176	50	6	12	130	95	35	24	2.0	0.9	309
F373-150	DN150	6"	89	206	50	6	16	155	100	55	45	2.5	1.3	390
F373-200	DN200	8"	116	260	50	6	16	180	100	80	45	2.0	1.7	524
F373-250	DN250	10"	143	326	65	10	20	210	110	100	70	4.0	4.0	649
F373-300	DN300	12"	168	376	65	10	20	245	115	130	70	3.5	4.8	788
F373-350	DN350	14"	184	408	65	10	20	260	110	150	70	3.0	5.3	878
F373-400	DN400	16"	209	458	80	10	20	285	105	180	70	4.0	7.3	1017
F373-450	DN450	18"	235	514	80	10	24	320	130	190	102	4.5	8.5	1118
F373-500	DN500	20"	260	564	80	10	24	345	130	215	102	4.0	9.4	1247
F373-600	DN600	24"	311	666	100	10	24	400	145	255	102	4.0	13.4	1487

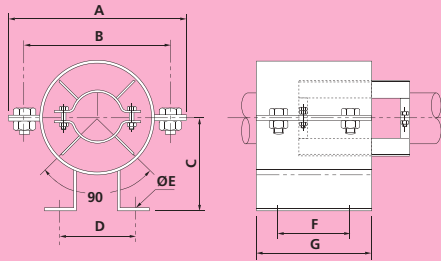
374 U-STRAP (NON-GRIP TYPE SS)



4 locknuts and 2 washers per strap
Material: Stainless Steel Grade 316

PART NUMBERS	LINE SIZE		R	A	K	W	STRAP H	STUD SIZE				MAX LOAD(kN)		WEIGHT	LINER
	mm	in						D	L	T	E	Fy	Fx	kg	D.L'TH
F374-50	DN50	2"	35	92	130	50	6	10	80	65	15	16	3.5	0.6	140
F374-80	DN80	3"	50	124	165	50	6	12	95	70	25	24	3.0	0.9	207
F374-100	DN100	4"	62	148	190	50	6	12	115	85	30	24	2.4	1.0	255
F374-125	DN125	5"	76	176	225	50	6	12	130	95	35	24	2.5	1.2	309
F374-150	DN150	6"	89	206	260	50	6	16	155	100	55	45	2.5	1.6	390
F374-200	DN200	8"	116	260	310	50	6	16	180	100	80	45	2.0	2.0	524
F374-250	DN250	10"	143	326	380	65	10	20	210	100	100	70	4.0	4.6	649
F374-300	DN300	12"	168	376	430	65	10	20	245	115	130	70	3.5	5.5	788
F374-350	DN350	14"	184	408	460	65	10	20	260	110	150	70	3.0	6.0	878
F374-400	DN400	16"	209	458	511	80	10	20	285	105	180	70	4.0	8.3	1017
F374-450	DN450	18"	235	514	571	80	10	24	320	130	190	102	4.5	9.6	1118
F374-500	DN500	20"	260	564	621	80	10	24	345	130	215	102	4.0	10.6	1247
F374-600	DN600	24"	311	666	726	100	10	24	400	145	255	102	4.0	15.1	1487

384 A & B PIPE ALIGNMENT GUIDE



Material: Carbon Steel

PART Nos.		PIPE SIZE	A	B	C	D	E	TYPE A		TYPE B		MAX INSULATION THICKNESS
TYPE A	TYPE B							F	G	F	G	
F384A-20	F384B-20	20	232	202	100	145	18	125	300	50	100	46
F384A-25	F384B-25	25	232	202	100	145	18	125	300	50	100	41
F384A-32	F384B-32	32	232	195	125	145	18	125	300	50	100	38
F384A-40	F384B-40	40	258	222	125	150	18	125	300	50	100	42
F384A-50	F384B-50	50	293	257	150	170	22	125	300	50	100	54
F384A-65	F384B-65	65	338	290	170	170	22	125	300	50	100	55
F384A-80	F384B-80	80	354	306	170	170	22	125	300	50	100	56
F384A-100	F384B-100	100	383	335	200	205	22	125	300	100	150	56
F384A-125	F384B-125	125	434	386	216	235	22	125	300	125	200	68
F384A-150	F384B-150	150	434	386	226	235	22	125	300	125	200	54
F384A-200	F384B-200	200	542	494	250	315	22	125	300	125	200	79
F384A-250	F384B-250	250	616	556	290	350	26	125	300	125	200	79
F384A-300	F384B-300	300	720	648	300	365	26	125	300	125	200	90
F384A-350	F384B-350	350	810	720	380	400	26	125	300	125	200	104
F384A-400	F384B-400	400	900	810	450	435	26	125	300	125	200	114
F384A-450	F384B-450	450	1020	912	480	475	26	125	300	125	200	128
F384A-500	F384B-500	500	1110	1002	500	494	26	125	300	125	200	137
F384A-600	F384B-600	600	1270	1144	530	520	26	125	300	125	200	151

COMLIN ISOLATION PRODUCTS

Comlin is a family of elastomeric materials developed over a number of years to meet the arduous and very specific requirements of the process pipework engineer.



The primary functions of the product groups shown in this section are:

- The reduction or elimination of noise and fatigue due to vibration of pipework against the supporting structure.
- The prevention of galvanic corrosion due to the contact of dissimilar metals in the presence of an electrolyte.
- The prevention of wear and/or crushing of composite, thin-wall or non-ferrous pipework.

The materials we offer have been selected to provide optimum performance characteristics over a wide range of applications; our HTFR grade is a flame-retardant material suitable for occasional operation at 350°C. Our low-friction grades, whilst providing very low resistance to sliding pipework, still retain the inherent flexibility of the backing material with no limitation as to how small the pipe can be.

We offer two standard product forms: one for applications using pipe clamps where the Comlin is inserted between the clamp and pipe, this is known as 'clamp strip'. The second is for U-bolt applications where the U-bolt is sheathed with Comlin and provided with a seating strip for protection to the underside of the pipe.

1

2

3

4

5

6

7

8

9

COMLIN MATERIAL CHOICE

COMLIN SG60

Our standard grade of material, a general purpose grade suitable for most applications within the temperature range of -40 to 100°C. Based on modified rubbers reinforced via accretion with specially selected PVC resins, in many instances its physical properties exceed those of established thermoplastic elastomers. It has exceptionally good tensile and tear strength combined with good resistance to ozone, UV and oil.

COMLIN RG45

A specially formulated low modulus polymer alloy suitable for applications that require a very soft, flexible support whilst retaining all the advantages of this type of material.

It has excellent low-temperature performance and is capable of operating within the temperature range -60 to 125°C, with the added advantage of being stable in an irradiated environment. It has very good compression set characteristics and withstands ozone/UV attack and weathering.

This material can be supplied in our own unique low-friction form incorporating integral ribs of polypropylene embedded into the contact face of the product. This is achieved without loss of properties or reduction of temperature range. This grade is designated **Comlin RG45LF**.

COMLIN FR80

Our special fire-retardant grade of material has a UL94 flame rating of V-0 and an oxygen index of only 25%; it has good resistance to ozone/UV attack and has very good flex fatigue. It also has good fluid resistance and good performance in polar chemicals.

Suitable for most applications within the temperature range of -50 to 150°C, the material has excellent compression set properties, weathering resistance and mechanical strength.

Again, this material can be supplied in our low-friction form, and is designated **Comlin FR80LF**.

COMLIN HTFR65

This high temperature material is suitable for applications within the temperature range of -60 to 350°C. Based on silicone technology, it has excellent resistance to fire, very low toxicity and can operate continuously at 300°C with minimum loss of properties. This material has excellent resistance to ozone, UV and weathering, very good compression set and is generally resistant to oils.

Due to the high temperature range capability of this material, it is not possible to provide it with our low-friction facing.

COMPARISON OF COMLIN MATERIALS WITH NEOPRENE

Our general purpose grade, **Comlin SG60**, compares better than neoprene in all respects other than temperature range: both are restricted to an upper temperature limit of 100°C. However, with respect to ozone, UV resistance, weathering, mechanical strength and long-term compression set, **Comlin SG60** is superior.

Comlin RG45 and **Comlin FR80** grades compare favourably with neoprene with respect to resistance to ozone/UV attack and weathering, but are far superior when considering compression set, operational temperature range and mechanical strength.

Comlin HTFR65 performs considerably better in all respects than neoprene: resistance to ozone, UV, weathering, temperature and fire are all superior.

U-BOLT MATERIAL

The standard material for Comlin U-Bolts is carbon steel meeting the requirements of BS4190/DIN601 Grade 4.6 with nuts to BS4190/DIN555 Grade 4.

Other grades that are available are:

LTCS: BS4882 Grade L7 with BS4882 Grade 4 nuts
Stainless Steel: BSENISO3506 Grade A2 (Tp304) or Grade A4 (Tp316)

Carbon steel U-Bolts are supplied galvanized as standard. Zinc plating or Xylan coating are also available upon request.

Specify material and protective coating at time of ordering as follows

Part Number 801-aaa-b-c-d

Where –

aaa is the item size

b is the U-Bolt material

c is the protective coating

d is the Comlin grade – only required for type 801 and 802 U-Bolts.

Code	Material (b)	Protective Coating (c)	Comlin Grade (d)
1	Carbon Steel	Zinc Plated & Yellow Passivated	FR80
2	LTCS	Galvanised	HTFR65
3	Tp 304 StSt (A2)	Xylan Coated	
4	Tp 316 StSt (A4)	No protection	

Example of full part code would therefore be –
802-108-1-2-2 for 108mm diameter cupro-nickel pipe with carbon steel u-bolt, galvanised & lined with HTFR65 Comlin.

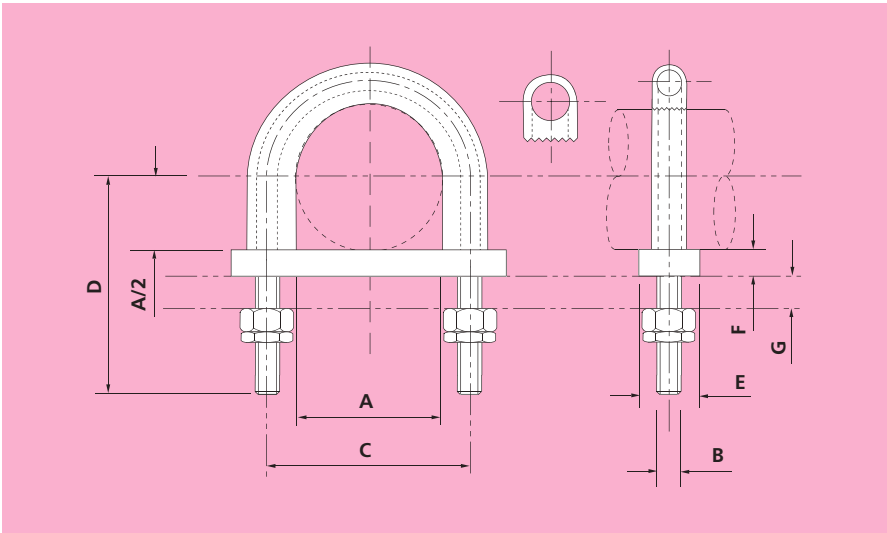
COMLIN MATERIAL PROPERTIES

Property	Test Method	Unit	Material Grade					
			SG60	RG45	FR80	HTFR65	RG45LF	FR80LF
Hardness, 5 Sec	D2240	Shore A	60	45	80	65	50	85
Specific Gravity	D297		1.17	0.97	1.24	1.31	1.05	1.31
Ultimate Tensile Strength	D412	MPa	11.0	1.2	7.2	7.5	1.2	7.2
Ultimate Elongation	D412	%	350	300	410	350	300	410
100% Modulus	D412	MPa	5.8	1.2	3.2	4.0	1.2	3.2
Compression Set @ 168 Hrs. 25 °C	D395B	%	37.0	13.0	27.1	10.0	13.0	27.1
Compression Set @ 168 Hrs. 100 °C	D395B	%	45.0	22.0	46.3	15.0	22.0	46.3
Tension Set	D412	%	11.0	5.0	10.0	12.0	5.0	10.0
Brittle Point	D746	°C	-45.0	-76.0	-56.0	-70.0	-76.0	-56.0
Maximum Continuous Temperature		°C	100	125	150	300	125	150
Oxygen Index	D2863		–	–	25.0	35.0	–	25.0
Horizontal Burn	UL94 HB		–	–	V-0	V-0	–	V-0
Ozone/UV Resistance			V.Good	V.Good	V.Good	V.Good	V.Good	V.Good
Dielectric Constant			2.2	2.3	2.44	2.8	2.3	2.44
Colour Code								
Type 801			–*	–*	Black	Grey	–	–
Type 802			–*	–*	Red	Grey	–	–
Type 901			–	–	–	–	–*	Black
Type 902			–	–	–	–	–*	Red
Type 816			Red	Beige	Green	Grey	–	–
Type 817			Red	Beige	Green	Grey	–	–
Type 818			–	–	Green	–	–	–
Type 916			–	–	–	–	Beige	Green
Type 917			–	–	–	–	Beige	Green
Type 918			–	–	–	–	–	Green

*Available upon special request — non-stocked products.

**801 COMLIN GRIP TYPE LINED U-BOLT
FOR STAINLESS STEEL & GALVANISED PIPES**

-60°C TO +300°C



PART NUMBER	DIMENSIONS (mm)							
	A	B	C	D	E	F	G	THD Length
801-021	21	6	37	60	20	8	30	60
801-027	27	6	43	65	20	8	32	64
801-034	34	6	50	65	20	8	28	60
801-043	43	10	69	70	25	10	19	69
801-049	49	10	75	80	25	10	26	76
801-061	61	10	87	90	25	10	30	80
801-072	72	12	98	95	25	10	25	83
801-089	89	12	115	100	25	10	22	80
801-115	115	12	141	110	25	10	19	77
801-140	140	12	166	135	25	10	31	89

PART NUMBER	DIMENSIONS (mm)							
	A	B	C	D	E	F	G	THD Length
801-168	168	16	210	180	35	15	49	128
801-219	219	16	261	200	35	15	44	123
801-245	245	16	287	210	35	15	41	120
801-273	273	16	315	225	35	15	42	121
801-324	324	16	366	250	35	15	41	120
801-356	356	16	398	265	35	15	40	119
801-407	407	16	449	300	35	15	50	129

ORDER BY: PART NUMBER '801-aaa-b-c-d'
AVAILABLE IN GRADES FR80 & HTFR65.

**802 COMLIN GRIP TYPE LINED U-BOLT
FOR COPPER & CUPRO-NICKEL PIPES**

-60°C TO +300°C

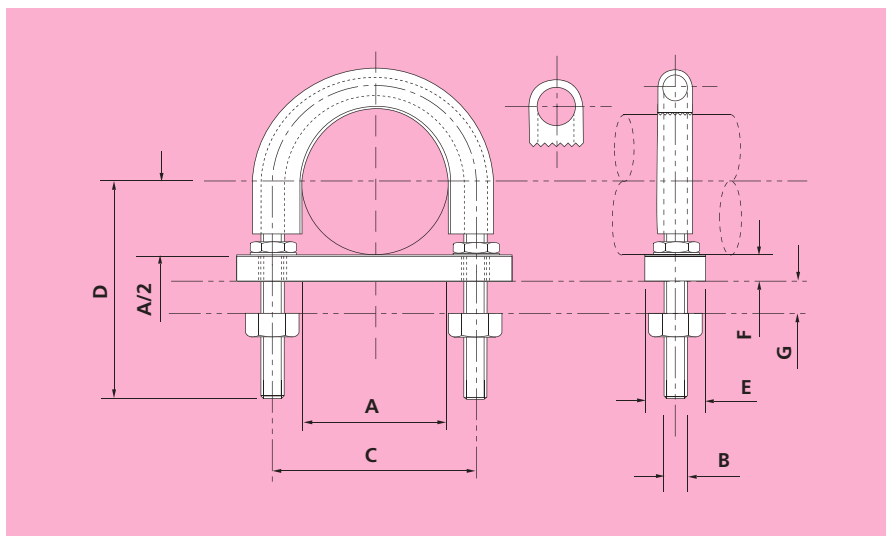
PART NUMBER	DIMENSIONS (mm)							
	A	B	C	D	E	F	G	THD Length
802-016	16	6	32	60	20	8	32	60
802-025	25	6	41	65	20	8	33	65
802-030	30	6	46	65	20	8	30	62
802-038	38	10	64	70	25	10	21	70
802-045	45	10	71	80	25	10	28	78
802-057	57	10	83	90	25	10	32	82

PART NUMBER	DIMENSIONS (mm)							
	A	B	C	D	E	F	G	THD Length
802-076	76	12	102	100	25	10	28	86
802-089	89	12	115	110	25	10	32	90
802-108	108	12	134	120	25	10	32	90
802-159	159	16	201	165	35	15	39	118
802-219	219	16	261	200	35	15	44	123

ORDER BY: PART NUMBER '802-aaa-b-c-d'
AVAILABLE IN GRADES FR80 & HTFR65.

**901 COMLIN NON-GRIP TYPE LINED U-BOLT
FOR STAINLESS STEEL & GALVANISED PIPES**

-60°C TO +150°C



PART NUMBER	DIMENSIONS (mm)							
	A	B	C	D	E	F	G	THD Length
901-021	21	6	37	60	20	8	30	60
901-027	27	6	43	65	20	8	32	64
901-034	34	6	50	65	20	8	28	60
901-043	43	10	69	70	25	10	19	69
901-049	49	10	75	80	25	10	26	76
901-061	61	10	87	90	25	10	30	80
901-072	72	12	98	95	25	10	25	83
901-089	89	12	115	100	25	10	22	80
901-115	115	12	141	110	25	10	19	77
901-140	140	12	166	135	25	10	31	89

PART NUMBER	DIMENSIONS (mm)							
	A	B	C	D	E	F	G	THD Length
901-168	168	16	210	180	35	15	49	128
901-219	219	16	261	200	35	15	44	123
901-245	245	16	287	210	35	15	41	120
901-273	273	16	315	225	35	15	42	121
901-324	324	16	366	250	35	15	41	120
901-356	356	16	398	265	35	15	40	119
901-407	407	16	449	300	35	15	50	129

ORDER BY: PART NUMBER '901-aaa-b-c'
AVAILABLE IN GRADE FR80LF ONLY

**902 COMLIN NON-GRIP TYPE LINED U-BOLT
FOR COPPER & CUPRO-NICKEL PIPES**

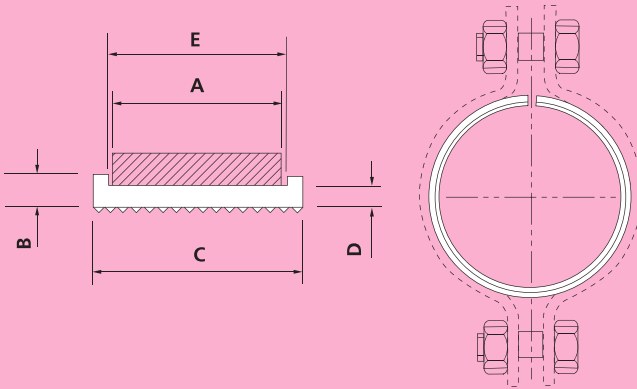
-60°C TO +150°C

PART NUMBER	DIMENSIONS (mm)							
	A	B	C	D	E	F	G	THD Length
902-016	16	6	32	60	20	8	32	60
902-025	25	6	41	65	20	8	33	65
902-030	30	6	46	65	20	8	30	62
902-038	38	10	64	70	25	10	21	70
902-045	45	10	71	80	25	10	28	78
902-057	57	10	83	90	25	10	32	82

PART NUMBER	DIMENSIONS (mm)							
	A	B	C	D	E	F	G	THD Length
902-076	76	12	102	100	25	10	28	86
902-089	89	12	115	110	25	10	32	90
902-108	108	12	134	120	25	10	32	90
902-159	159	16	201	165	35	15	39	118
902-219	219	16	261	200	35	15	44	123

ORDER BY: PART NUMBER '902-aaa-b-c'
AVAILABLE IN GRADE FR80LF ONLY

816 AND 817 COMLIN CLAMP STRIP -60°C to +300°C



ORDER BY: PART NUMBER, LENGTH AND COMLIN GRADE.
AVAILABLE EITHER CUT TO REQUIRED LENGTH OR ANY LENGTH UP TO 25 METRES.

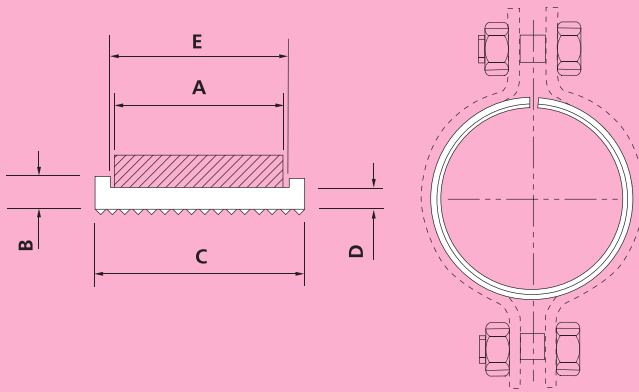
PART NUMBER	DIMENSIONS (mm)				
	A	B	C	D	E
816-30	25	5	40	3	30
816-40	35	5	50	3	40
816-45	40	5	55	3	45
816-50	45	5	60	3	50
816-60	55	5	70	3	60
816-65	60	5	80	3	65
816-70	65	5	85	3	70
816-75	70	5	90	3	75
816-80	75	5	95	3	80
816-90	85	6	105	3	90
816-100	95	6	115	3	100
816-110	105	6	125	3	110
816-130	125	6	145	3	130
816-140	135	6	155	3	145
816-150	150	6	165	3	150

PART NUMBER	DIMENSIONS (mm)				
	A	B	C	D	E
817-30	25	7.5	45	5	30
817-40	35	8.5	57	6	40
817-50	45	8.5	67	6	50
817-60	55	8.5	77	6	60
817-70	65	8.5	85	6	70
817-90	85	14.5	105	9.5	90
817-110	105	14.5	125	9.5	110
817-130	125	14.5	145	9.5	130
817-150	150	17.5	165	12.5	150

Recommended Length of Clamp Strip vs Pipe Size

Pipe	DIMENSIONS (mm)												
	816	817	817	817	817	817	817	817	817	817	817	817	
O/D	ALL	20	30	40	50	60	70	90	110	130	150		
26.9	88	88	90	91	91	91	91	94	94	94	98		
33.7	109	109	111	112	112	112	112	116	116	116	119		
42.4	136	136	138	139	139	139	139	143	143	143	146		
48.3	155	155	157	158	158	158	158	162	162	162	165		
60.3	193	193	195	196	196	196	196	199	199	199	203		
76.1	242	242	244	245	245	245	245	249	249	249	252		
88.9	282	282	285	286	286	286	286	289	289	289	292		
114.3	362	362	364	365	365	365	365	369	369	369	372		
139.7	442	442	444	445	445	445	445	449	449	449	452		
168.3	532	532	534	535	535	535	535	539	539	539	542		
219.1	691	691	694	695	695	695	695	698	698	698	701		
244.5	771	771	773	774	774	774	774	778	778	778	781		
273.0	861	861	863	864	864	864	864	868	868	868	871		
323.9	1021	1021	1023	1024	1024	1024	1024	1028	1028	1028	1031		
355.6	1120	1120	1122	1123	1123	1123	1123	1127	1127	1127	1130		
406.4	1280	1280	1282	1283	1283	1283	1283	1287	1287	1287	1290		
457.0	1439	1439	1441	1442	1442	1442	1442	1446	1446	1446	1449		
508.0	1599	1599	1601	1602	1602	1602	1602	1606	1606	1606	1609		
610.0	1920	1920	1922	1923	1923	1923	1923	1926	1926	1926	1929		
762.0	2397	2397	2399	2400	2400	2400	2400	2404	2404	2404	2407		
914.0	2875	2875	2877	2878	2878	2878	2878	2881	2881	2881	2885		

916 AND 917 COMLIN LINED CLAMP STRIP -60°C TO +150°C



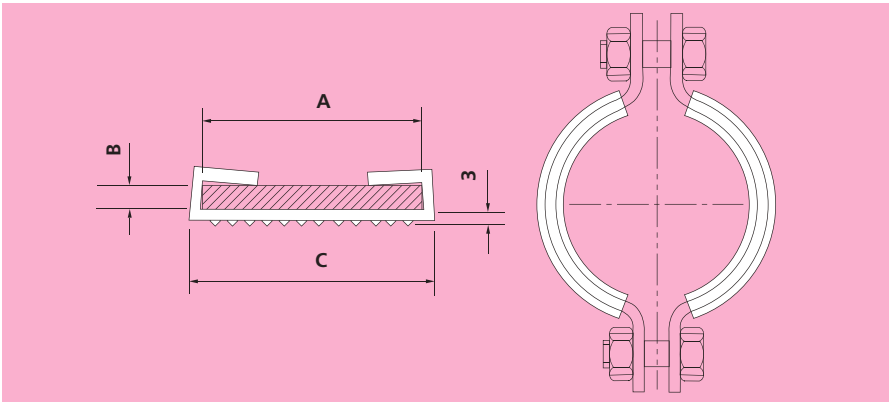
ORDER BY: PART NUMBER & LENGTH
AVAILABLE IN GRADE FR80L ONLY IN ANY LENGTH UP TO 25 METRES.

PART NUMBER	DIMENSIONS (mm)				
	A	B	C	D	E
916-30	25	5	40	3	30
916-40	35	5	50	3	40
916-45	40	5	55	3	45
916-50	45	5	60	3	50
916-60	55	5	70	3	60
916-65	60	5	80	3	65
916-70	65	5	85	3	70
916-75	70	5	90	3	75
916-80	75	5	95	3	80
916-90	85	6	105	3	90
916-100	95	6	115	3	100
916-110	105	6	125	3	110
916-130	125	6	145	3	130
916-140	135	6	155	3	145
916-150	150	6	165	3	150

PART NUMBER	DIMENSIONS (mm)				
	A	B	C	D	E
917-30	25	7.5	45	5	30
917-40	35	8.5	57	6	40
917-50	45	8.5	67	6	50
917-60	55	8.5	77	6	60
917-70	65	8.5	85	6	70
917-90	85	14.5	105	9.5	90
917-110	105	14.5	125	9.5	110
917-130	125	14.5	145	9.5	130
917-150	150	17.5	165	12.5	150

Recommended Length of Clamp Strip vs Pipe Size

Pipe	DIMENSIONS (mm)										
	916	917	917	917	917	917	917	917	917	917	
O/D	ALL	20	30	40	50	60	70	90	110	130	150
26.9	88	88	90	91	91	91	91	94	94	94	98
33.7	109	109	111	112	112	112	112	116	116	116	119
42.4	136	136	138	139	139	139	139	143	143	143	146
48.3	155	155	157	158	158	158	158	162	162	162	165
60.3	193	193	195	196	196	196	196	199	199	199	203
76.1	242	242	244	245	245	245	245	249	249	249	252
88.9	282	282	285	286	286	286	286	289	289	289	292
114.3	362	362	364	365	365	365	365	369	369	369	372
139.7	442	442	444	445	445	445	445	449	449	449	452
168.3	532	532	534	535	535	535	535	539	539	539	542
219.1	691	691	694	695	695	695	695	698	698	698	701
244.5	771	771	773	774	774	774	774	778	778	778	781
273.0	861	861	863	864	864	864	864	868	868	868	871
323.9	1021	1021	1023	1024	1024	1024	1024	1028	1028	1028	1031
355.6	1120	1120	1122	1123	1123	1123	1123	1127	1127	1127	1130
406.4	1280	1280	1282	1283	1283	1283	1283	1287	1287	1287	1290
457.0	1439	1439	1441	1442	1442	1442	1442	1446	1446	1446	1449
508.0	1599	1599	1601	1602	1602	1602	1602	1606	1606	1606	1609
610.0	1920	1920	1922	1923	1923	1923	1923	1926	1926	1926	1929
762.0	2397	2397	2399	2400	2400	2400	2400	2404	2404	2404	2407
914.0	2875	2875	2877	2878	2878	2878	2878	2881	2881	2881	2885



818 COMLIN GRIP CLAMP STRIP
-60°C TO +300°C

PART NUMBER	A	B	C
818 - 025 x 06	25	6	30
818 - 035 x 06	35	6	40
818 - 050 x 06	50	6	55
818 - 050 x 10	50	10	55
818 - 065 x 10	65	10	70
818 - 080 x 10	80	10	85
818 - 100 x 10	100	10	105
818 - 100 x 20	100	20	105

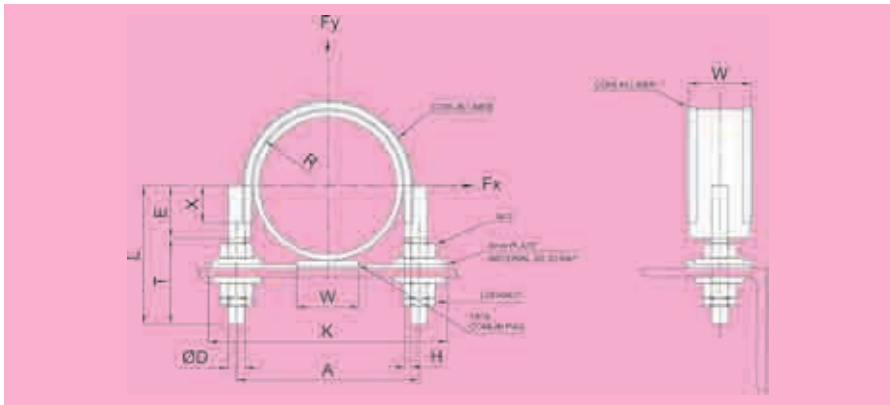
ORDER BY: PART NUMBER, LENGTH & COMLIN GRADE
AVAILABLE IN GRADES FR80 & HTFR65 IN ANY LENGTH UP TO 25 METRES.

918 COMLIN LINED CLAMP STRIP
-60°C TO +150°C

PART NUMBER	A	B	C
918 - 025 x 06	25	6	30
918 - 035 x 06	35	6	40
918 - 050 x 06	50	6	55
918 - 050 x 10	50	10	55
918 - 065 x 10	65	10	70
918 - 080 x 10	80	10	85
918 - 100 x 10	100	10	105
918 - 100 x 20	100	20	105

ORDER BY: PART NUMBER & LENGTH
AVAILABLE IN GRADE FR80LF ONLY IN ANY LENGTH UP TO 25 METRES.

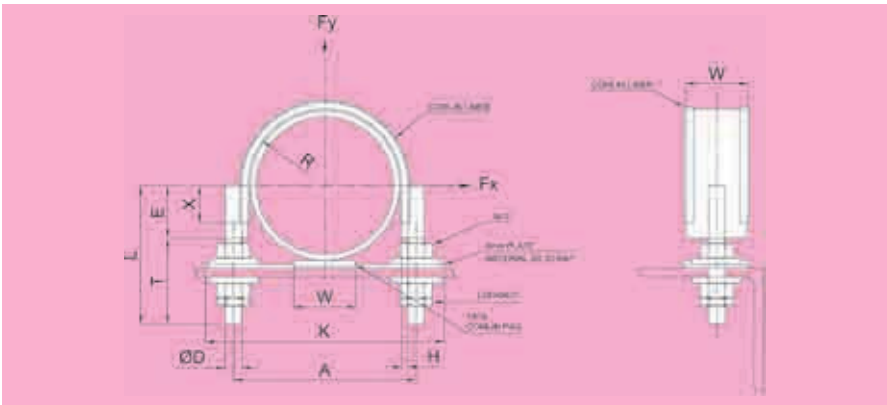
371-CM1 U-STRAP (GRIP TYPE CS WITH COMLIN)



Comlin liner for U-strap = F818 x "W" x "H": Gr.FR80 or HTR65
4 nuts, 2 locknuts and 4 washers per strap
Material: Carbon Steel

PART NUMBER	LINE SIZE		R	A	K	W	STRAP H	STUD SIZE			MAX LOAD(kN)		WEIGHT kg	LINER D.L.T.H	
	mm	in						D	L	T	E	Fy			Fx
F371-50	DN50	2"	35	92	130	50	6	10	80	65	15	16	3.5	0.7	140
F371-80	DN80	3"	50	124	165	50	6	12	95	70	25	24	3.0	0.9	207
F371-100	DN100	4"	62	148	190	50	6	12	115	85	30	24	2.5	1.1	255
F371-125	DN125	5"	76	176	225	50	6	12	130	95	35	24	2.0	1.3	309
F371-150	DN150	6"	89	206	260	50	6	16	155	100	55	45	2.5	1.7	390
F371-200	DN200	8"	116	260	310	60	6	16	180	100	80	45	2.0	2.1	524
F371-250	DN250	10"	143	326	380	65	10	20	210	110	100	70	4.0	4.8	649
F371-300	DN300	12"	168	376	430	65	10	20	245	115	130	70	3.5	5.7	788
F371-350	DN350	14"	184	408	460	65	10	20	260	110	150	70	3.0	6.3	878

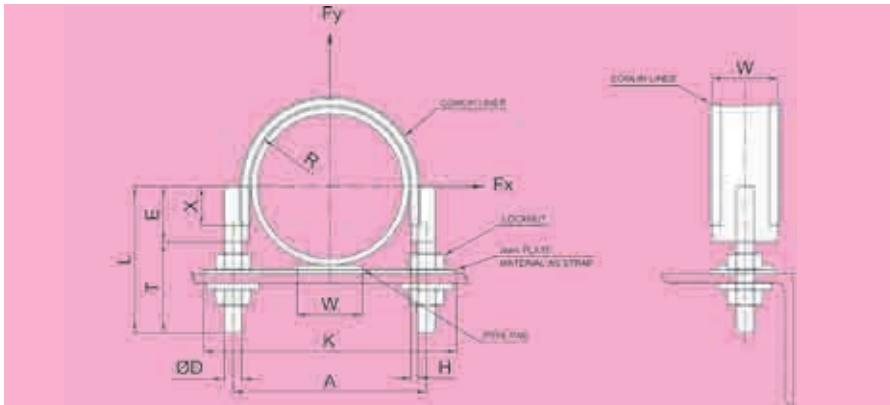
372-CM1 U-STRAP (GRIP TYPE SS WITH COMLIN)



Comlin liner for U-strap = F818 x "W" x "H": Gr.FR80 or HTFR65
4 nuts, 2 locknuts and 4 washers per strap
Material: Stainless Steel Grade 316

PART NUMBER	LINE SIZE		R	A	K	W	STRAP H	STUD SIZE				MAX LOAD(kN)		WEIGHT kg	LINER D.L'TH
	mm	in						D	L	T	E	Fy	Fx		
F372-50	DN50	2"	35	92	130	50	6	10	80	65	15	16	3.5	0.7	140
F372-80	DN80	3"	50	124	165	50	6	12	95	70	25	24	3.0	0.9	207
F372-100	DN100	4"	62	148	190	50	6	12	115	85	30	24	2.5	1.1	255
F372-125	DN125	5"	76	176	225	50	6	12	130	95	35	24	2.0	1.3	309
F372-150	DN150	6"	89	206	260	50	6	16	155	100	55	45	2.5	1.7	390
F372-200	DN200	8"	116	260	310	50	6	16	180	100	80	45	2.0	2.1	524
F372-250	DN250	10"	143	326	380	65	10	20	210	110	100	70	4.0	4.8	649
F372-300	DN300	12"	168	376	430	65	10	20	245	115	130	70	3.5	5.7	788
F372-350	DN350	14"	184	408	460	65	10	20	260	110	150	70	3.0	6.3	878

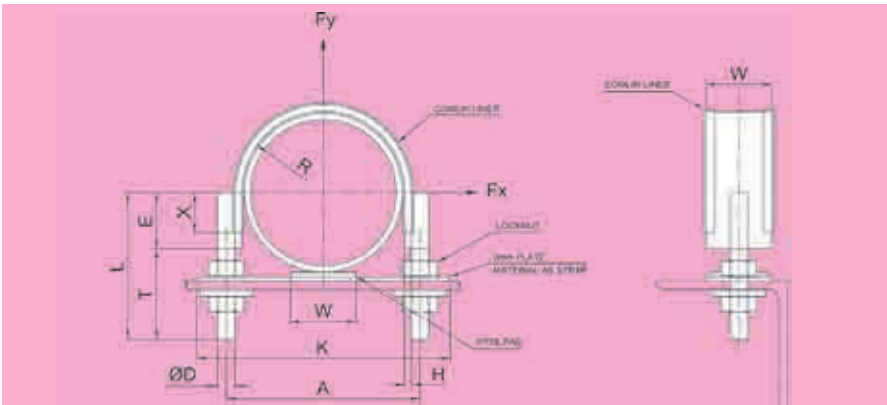
373-CM1 U-STRAP (NON-GRIP TYPE CS WITH COMLIN)



Comlin liner for U-strap = F918 x "W" x "H": Gr.FR80LF. PTFE for lower pad = 25% glass filled PTFE (etched one side)
 4 locknuts and 2 washers per strap
 Material: Carbon Steel

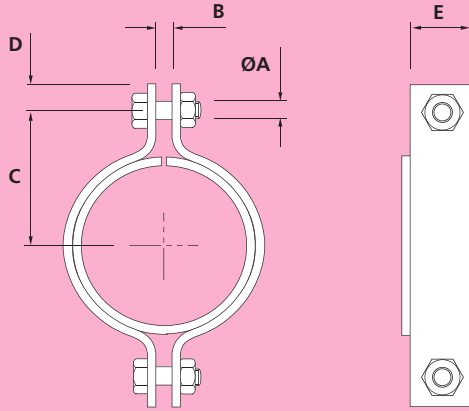
PART NUMBER	LINE SIZE		R	A	K	W	STRAP H	STUD SIZE			MAX LOAD(kN)		WEIGHT kg	LINER D.L.T.H	
	mm	in						D	L	T	E	Fy			Fx
F373-50	DN50	2"	35	92	130	50	6	10	80	65	15	16	3.5	0.6	140
F373-80	DN80	3"	50	124	165	50	6	12	95	70	25	24	3.0	0.9	207
F373-100	DN100	4"	62	148	190	50	6	12	115	85	30	24	2.5	1.0	255
F373-125	DN125	5"	76	176	225	50	6	12	130	95	35	24	2.0	1.2	309
F373-150	DN150	6"	89	206	260	50	6	16	155	100	55	45	2.5	1.6	390
F373-200	DN200	8"	116	260	310	50	6	16	180	100	80	45	2.0	2.0	524
F373-250	DN250	10"	143	326	380	65	10	20	210	110	100	70	4.0	4.6	649
F373-300	DN300	12"	168	376	430	65	10	20	245	115	130	70	3.5	5.5	788
F373-350	DN350	14"	184	408	460	65	10	20	260	110	150	70	3.0	6.0	878
F373-400	DN400	16"	209	458	511	80	10	20	285	105	180	70	4.0	8.3	1017
F373-450	DN450	18"	235	514	571	80	10	24	320	130	190	102	4.5	9.6	1118
F373-500	DN500	20"	260	564	621	80	10	24	345	130	215	102	4.0	10.6	1247
F373-600	DN600	24"	311	666	726	100	10	24	400	145	255	102	4.0	15.1	1487

374-CM1 U-STRAP (NON-GRIP TYPE SS WITH COMLIN)



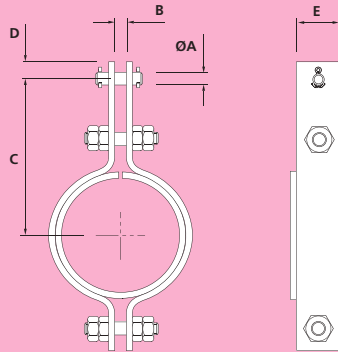
**Comlin liner for U-strap = F918 x "W" x "H": Gr.FR80LF: PTFE for lower pad = 25% glass filled PTFE (etched one side)
4 locknuts and 2 washers per strap
Material: Stainless Steel Grade 316**

PART NUMBER	LINE SIZE		R	A	K	W	STRAP H	STUD SIZE				MAX LOAD(kN)		WEIGHT kg	LINER D.L'TH
	mm	in						D	L	T	E	Fy	Fx		
F374-50	DN50	2"	35	92	130	50	6	10	80	65	15	16	3.5	0.6	140
F374-80	DN80	3"	50	124	165	50	6	12	95	70	25	24	3.0	0.9	207
F374-100	DN100	4"	62	148	190	50	6	12	115	85	30	24	2.5	1.0	255
F374-125	DN125	5"	76	176	225	50	6	12	130	95	35	24	2.0	1.2	309
F374-150	DN150	6"	89	206	260	50	6	16	155	100	55	45	2.5	1.6	390
F374-200	DN200	8"	116	260	310	50	6	16	180	100	80	45	2.0	2.0	524
F374-250	DN250	10"	143	326	380	65	10	20	210	110	100	70	4.0	4.6	649
F374-300	DN300	12"	168	376	430	65	10	20	245	115	130	70	3.5	5.5	788
F374-350	DN350	14"	184	408	460	65	10	20	260	110	150	70	3.0	6.0	878
F374-400	DN400	16"	209	458	511	80	10	20	285	105	180	70	4.0	8.3	1017
F374-450	DN450	18"	235	514	571	80	10	24	320	130	190	102	4.5	9.6	1118
F374-500	DN500	20"	260	564	621	80	10	24	345	130	215	102	4.0	10.6	1247
F374-600	DN600	24"	311	666	726	100	10	24	400	145	255	102	4.0	15.1	1487



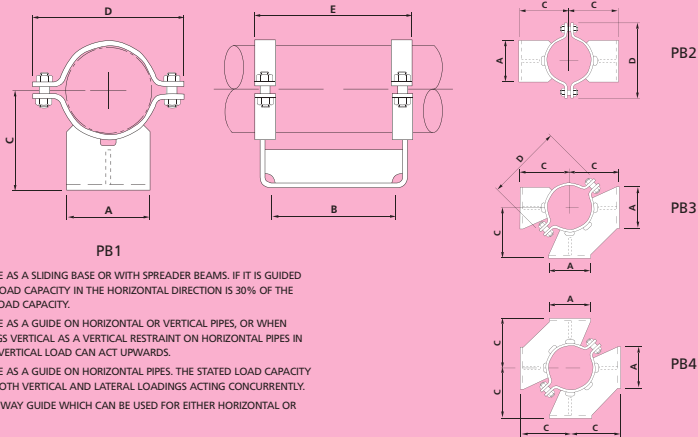
Order by Part Number, Comlin Type and Comlin Grade e.g. PC2-CM2-100-2/817/FR80
Material: Carbon Steel and Comlin. Also available in Stainless Steel.
Pipe Clamps with other Load Capacities are also available.
*** Do not exceed the Maximum Temperature for the Grade of Comlin used.**

PART NUMBER FOR COMLIN TYPE 816, 916, 818 & 918	PART NUMBER FOR COMLIN TYPE 817 & 917	PIPE O/D		A		B		C		D	E	WEIGHT	*LOAD CAPACITY AT 300°C kgf
		mm	in	mm	mm	mm	in	mm	mm	mm			
PC2-CM1-15-0	PC2-CM2-15-0	21.3	0.839	12	15	35	1 3/8	18	35	0.4	390		
PC2-CM1-20-0	PC2-CM2-20-0	26.7	1.051	12	15	40	1 9/16	18	35	0.4	390		
PC2-CM1-25-0	PC2-CM2-25-0	33.4	1.315	12	15	45	1 3/4	18	35	0.5	390		
PC2-CM1-32-0	PC2-CM2-32-0	42.2	1.661	12	15	50	1 15/16	18	35	0.5	390		
PC2-CM1-40-0	PC2-CM2-40-0	48.3	1.902	12	15	55	2 3/16	18	35	0.5	390		
PC2-CM1-50-0	PC2-CM2-50-0	60.3	2.375	12	15	60	2 3/8	18	35	0.6	390		
PC2-CM1-65-2	PC2-CM2-65-2	73	2.875	16	17	70	2 3/4	24	40	1.0	590		
PC2-CM1-80-2	PC2-CM2-80-2	88.9	3.500	16	17	80	3 1/8	24	40	1.1	530		
PC2-CM1-100-0	PC2-CM2-100-0	114.3	4.500	12	15	90	3 9/16	18	35	0.8	270		
PC2-CM1-100-2	PC2-CM2-100-2	114.3	4.500	16	17	100	3 15/16	24	40	1.7	740		
PC2-CM1-150-0	PC2-CM2-150-0	168.3	6.625	12	15	120	4 3/4	18	40	1.4	340		
PC2-CM1-150-2	PC2-CM2-150-2	168.3	6.625	16	17	125	4 15/16	24	40	2.1	590		
PC2-CM1-200-1	PC2-CM2-200-1	219.1	8.625	16	17	155	6 1/8	24	40	2.5	460		
PC2-CM1-200-2	PC2-CM2-200-2	219.1	8.625	16	17	160	6 5/16	24	45	3.5	790		
PC2-CM1-250-1	PC2-CM2-250-1	273	10.750	16	17	180	7 1/16	24	40	2.9	410		
PC2-CM1-250-3	PC2-CM2-250-3	273	10.750	20	20	195	7 11/16	30	60	6.9	1240		
PC2-CM1-300-2	PC2-CM2-300-2	323.9	12.750	16	17	210	8 1/4	24	45	4.6	650		
PC2-CM1-300-4	PC2-CM2-300-4	323.9	12.750	24	25	240	9 7/16	36	65	14.8	1830		
PC2-CM1-350-3	PC2-CM2-350-3	355.6	14.000	20	20	235	9 1/4	30	60	8.3	1080		
PC2-CM1-350-5	PC2-CM2-350-5	355.6	14.000	30	29	265	10 7/16	45	90	23.2	3050		
PC2-CM1-400-4	PC2-CM2-400-4	406.4	16.000	24	25	280	11	36	65	17.3	1830		
PC2-CM1-400-6	PC2-CM2-400-6	406.4	16.000	36	41	295	11 5/8	54	110	32.3	3810		
PC2-CM1-450-4	PC2-CM2-450-4	457.2	18.000	24	25	310	12 3/16	36	65	19.1	1830		
PC2-CM1-450-6	PC2-CM2-450-6	457.2	18.000	36	41	320	12 5/8	54	110	35.0	3810		
PC2-CM1-500-4	PC2-CM2-500-4	508	20.000	24	25	335	13 3/16	36	65	20.7	1830		
PC2-CM1-500-7	PC2-CM2-500-7	508	20.000	42	45	365	14 9/8	63	130	50.0	5470		
PC2-CM1-550-5	PC2-CM2-550-5	558.8	22.000	30	29	370	14 9/16	45	90	32.3	2920		
PC2-CM1-550-7	PC2-CM2-550-7	558.8	22.000	42	45	395	15 9/16	63	130	63.0	5470		
PC2-CM1-600-5	PC2-CM2-600-5	609.6	24.000	30	29	395	15 9/16	45	90	34.5	2660		
PC2-CM1-600-7	PC2-CM2-600-7	609.6	24.000	42	45	420	16 9/16	63	130	66.9	5470		
PC2-CM1-650-5	PC2-CM2-650-5	660.4	26.000	30	29	420	16 9/16	45	90	36.7	2530		
PC2-CM1-650-7	PC2-CM2-650-7	660.4	26.000	42	45	445	17 1/2	63	150	81.4	5470		
PC2-CM1-700-5	PC2-CM2-700-5	711.2	28.000	30	29	445	17 1/2	45	90	38.9	2420		
PC2-CM1-700-7	PC2-CM2-700-7	711.2	28.000	42	45	470	18 1/2	63	150	85.9	5470		
PC2-CM1-750-5	PC2-CM2-750-5	762	30.000	30	29	475	18 11/16	45	110	41.1	2350		
PC2-CM1-750-8	PC2-CM2-750-8	762	30.000	48	52	515	20 1/4	72	150	112.8	7610		
PC2-CM1-800-5	PC2-CM2-800-5	812.8	32.000	30	29	500	19 11/16	45	110	53.1	2780		
PC2-CM1-800-8	PC2-CM2-800-8	812.8	32.000	48	52	560	22 1/16	72	150	158.9	10910		
PC2-CM1-850-5	PC2-CM2-850-5	863.6	34.000	30	29	525	20 11/16	45	110	55.8	2690		
PC2-CM1-850-8	PC2-CM2-850-8	863.6	34.000	48	52	590	23 1/4	72	150	167.2	10910		
PC2-CM1-900-6	PC2-CM2-900-6	914.4	36.000	36	41	570	22 7/16	54	110	75.6	3760		
PC2-CM1-900-8	PC2-CM2-900-8	914.4	36.000	48	52	615	24 3/16	72	150	174.6	10910		
PC2-CM1-950-6	PC2-CM2-950-6	965	38.000	36	41	595	23 7/16	54	130	79.0	3660		
PC2-CM1-950-8	PC2-CM2-950-8	965	38.000	48	52	640	25 3/8	72	150	182.0	10910		
PC2-CM1-1000-6	PC2-CM2-1000-6	1016	40.000	36	41	620	24 7/16	54	130	97.2	3810		
PC2-CM1-1000-8	PC2-CM2-1000-8	1016	40.000	48	52	665	26 3/16	72	150	189.3	10910		



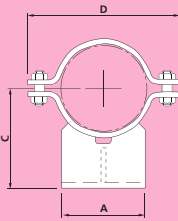
Order by Part Number, Comlin Type and Comlin Grade e.g. PC3-CM2-100-2/817/FR80
Material: Carbon Steel and Comlin. Also available in Stainless Steel.
Pipe Clamps with other Load Capacities are also available.
*** Do not exceed the Maximum Temperature for the Grade of Comlin used.**

PART NUMBER FOR COMLIN TYPE 816, 916, 818 & 918	PART NUMBER FOR COMLIN TYPE 817 & 917	PIPE O/D		A	B	C		D	E	WEIGHT	'LOAD CAPACITY AT 300°C
		mm	in			mm	in				
PC3-CM1-15-0	PC3-CM2-15-0	21.3	0.839	12	15	100	3 15/16	18	35	0.6	390
PC3-CM1-20-0	PC3-CM2-20-0	26.7	1.051	12	15	100	3 15/16	18	35	0.6	390
PC3-CM1-25-0	PC3-CM2-25-0	33.4	1.315	12	15	100	3 15/16	18	35	0.6	390
PC3-CM1-32-0	PC3-CM2-32-0	42.2	1.661	12	15	110	4 9/16	18	35	0.7	390
PC3-CM1-40-0	PC3-CM2-40-0	48.3	1.902	12	15	110	4 9/16	18	35	0.7	390
PC3-CM1-50-0	PC3-CM2-50-0	60.3	2.375	12	15	120	4 3/4	18	35	0.7	390
PC3-CM1-65-2	PC3-CM2-65-2	73	2.875	16	17	130	5 1/8	24	40	1.1	650
PC3-CM1-80-2	PC3-CM2-80-2	88.9	3.500	16	17	150	5 7/8	24	40	1.2	600
PC3-CM1-100-0	PC3-CM2-100-0	114.3	4.500	12	15	180	7 1/16	18	35	1.1	270
PC3-CM1-100-2	PC3-CM2-100-2	114.3	4.500	16	17	180	7 1/16	24	40	2.0	800
PC3-CM1-150-0	PC3-CM2-150-0	168.3	6.625	12	15	210	8 1/4	18	40	1.8	340
PC3-CM1-150-2	PC3-CM2-150-2	168.3	6.625	16	17	210	8 1/4	24	40	2.4	590
PC3-CM1-200-1	PC3-CM2-200-1	219.1	8.625	16	17	280	11	24	40	3.0	510
PC3-CM1-200-3	PC3-CM2-200-3	219.1	8.625	20	20	280	11	30	60	7.0	1320
PC3-CM1-250-2	PC3-CM2-250-2	273	10.750	16	17	320	12 5/8	24	45	4.9	620
PC3-CM1-250-4	PC3-CM2-250-4	273	10.750	24	25	320	12 5/8	36	65	15.0	1950
PC3-CM1-300-3	PC3-CM2-300-3	323.9	12.750	20	20	350	13 3/4	30	60	9.0	1180
PC3-CM1-300-4	PC3-CM2-300-4	323.9	12.750	24	25	350	13 3/4	36	65	16.7	1830
PC3-CM1-350-3	PC3-CM2-350-3	355.6	14.000	20	20	380	14 15/16	30	60	9.8	1100
PC3-CM1-350-5	PC3-CM2-350-5	355.6	14.000	30	29	380	14 15/16	45	90	25.8	3050
PC3-CM1-400-4	PC3-CM2-400-4	406.4	16.000	24	25	420	16 9/16	36	65	20.0	1830
PC3-CM1-400-6	PC3-CM2-400-6	406.4	16.000	36	41	420	16 9/16	54	110	35.9	3810
PC3-CM1-450-4	PC3-CM2-450-4	457.2	18.000	24	25	450	17 11/16	36	65	21.7	1830
PC3-CM1-450-6	PC3-CM2-450-6	457.2	18.000	36	41	450	17 11/16	54	110	38.7	3810
PC3-CM1-500-4	PC3-CM2-500-4	508	20.000	24	25	470	18 1/2	36	65	23.2	1750
PC3-CM1-500-7	PC3-CM2-500-7	508	20.000	42	45	470	18 1/2	63	110	53.3	5470
PC3-CM1-550-5	PC3-CM2-550-5	558.8	22.000	30	29	500	19 11/16	45	90	35.3	2510
PC3-CM1-550-7	PC3-CM2-550-7	558.8	22.000	42	45	500	19 11/16	63	130	66.9	5470
PC3-CM1-600-5	PC3-CM2-600-5	609.6	24.000	30	29	520	20 1/2	45	90	37.4	2690
PC3-CM1-600-7	PC3-CM2-600-7	609.6	24.000	42	45	520	20 1/2	63	130	70.6	5470
PC3-CM1-650-5	PC3-CM2-650-5	660.4	26.000	30	29	560	22 1/8	45	90	40.8	2340
PC3-CM1-650-7	PC3-CM2-650-7	660.4	26.000	42	45	560	22 1/8	63	130	87.0	5470
PC3-CM1-700-5	PC3-CM2-700-5	711.2	28.000	30	29	590	23 1/4	45	90	43.2	2420
PC3-CM1-700-7	PC3-CM2-700-7	711.2	28.000	42	45	590	23 1/4	63	150	91.9	5470
PC3-CM1-750-5	PC3-CM2-750-5	762	30.000	30	29	640	25 3/8	45	110	56.3	2870
PC3-CM1-750-8	PC3-CM2-750-8	762	30.000	48	52	640	25 3/8	72	150	120.4	8160
PC3-CM1-800-5	PC3-CM2-800-5	812.8	32.000	30	29	660	26	45	110	58.8	2790
PC3-CM1-800-8	PC3-CM2-800-8	812.8	32.000	48	52	660	26	72	150	125.6	7610
PC3-CM1-850-5	PC3-CM2-850-5	863.6	34.000	30	29	710	27 15/16	45	110	62.4	2690
PC3-CM1-850-8	PC3-CM2-850-8	863.6	34.000	48	52	710	27 15/16	72	150	176.4	8920
PC3-CM1-900-6	PC3-CM2-900-6	914.4	36.000	36	41	740	29 1/8	54	130	97.9	3810
PC3-CM1-900-8	PC3-CM2-900-8	914.4	36.000	48	52	740	29 1/8	72	150	184.7	8560
PC3-CM1-950-6	PC3-CM2-950-6	965	38.000	36	41	770	30 5/8	54	130	102.2	3810
PC3-CM1-950-8	PC3-CM2-950-8	965	38.000	48	52	770	30 5/8	72	150	192.7	8410
PC3-CM1-1000-6	PC3-CM2-1000-6	1016	40.000	36	41	790	31 1/8	54	130	106.0	3810
PC3-CM1-1000-8	PC3-CM2-1000-8	1016	40.000	48	52	790	31 1/8	72	150	201.8	10000

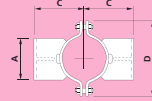
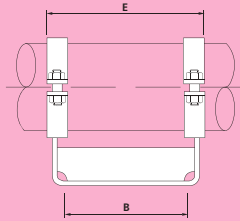


Order by Part Number, Comlin Type and Comlin Grade e.g. PB1-CM1-150-4/816/FR80
Material: Carbon Steel and Comlin. Also available in Stainless Steel.
Pipe Clamp Bases with other Load Capacities are also available.
*** Do not exceed the Maximum Temperature for the Grade of Comlin used.**

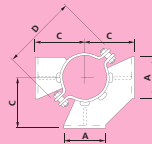
PART NUMBER FOR COMLIN TYPE 816, 916, 818 & 918	PART NUMBER FOR COMLIN TYPE 817 & 917	Pipe O/D		A	B	C		D	E	Max Lagging Thickness	Weight				Load Capacity (See notes) kgf
		mm	in			mm	in				mm	in	PB1 kgf	PB2 kgf	
For Multi-Leg types, replace PB1 with PB2, PB3 or PB4															
PB1-CM1-15-1	PB1-CM2-15-1	21.3	0.839	50	150	90	3 ⁹ / ₁₆	106	185	75	1.8	3.0	4.2	5.4	360
PB1-CM1-20-1	PB1-CM2-20-1	26.7	1.051	50	150	90	3 ⁹ / ₁₆	110	185	75	1.8	3.0	4.2	5.4	360
PB1-CM1-25-1	PB1-CM2-25-1	33.4	1.315	50	150	90	3 ⁹ / ₁₆	120	185	70	1.9	3.1	4.3	5.4	360
PB1-CM1-32-1	PB1-CM2-32-1	42.2	1.661	60	150	100	3 ¹⁵ / ₁₆	130	185	75	2.3	3.7	5.2	6.7	360
PB1-CM1-40-1	PB1-CM2-40-1	48.3	1.902	60	150	100	3 ¹⁵ / ₁₆	138	185	75	2.3	3.8	5.2	6.7	360
PB1-CM1-50-2	PB1-CM2-50-2	60.3	2.375	70	150	110	4 ⁵ / ₁₆	150	203	75	2.7	4.4	6.2	7.9	530
PB1-CM1-65-2	PB1-CM2-65-2	73	2.875	70	200	110	4 ⁵ / ₁₆	166	253	70	3.1	5.2	7.2	9.3	530
PB1-CM1-80-2	PB1-CM2-80-2	88.9	3.500	100	200	160	6 ⁵ / ₁₆	182	253	115	4.6	7.9	11	15	530
PB1-CM1-90-2	PB1-CM2-90-2	101.6	4.000	100	200	160	6 ⁵ / ₁₆	196	253	105	4.7	8.0	11	15	530
PB1-CM1-100-3	PB1-CM2-100-3	114.3	4.500	100	200	170	6 ¹¹ / ₁₆	208	253	110	4.8	8.2	12	15	1010
PB1-CM1-125-3	PB1-CM2-125-3	141.3	5.563	110	200	180	7 ¹ / ₁₆	236	253	105	5.4	9.2	13	17	1010
PB1-CM1-150-4	PB1-CM2-150-4	168.3	6.625	120	200	200	7 ⁷ / ₁₆	278	264	115	9.3	15	21	27	1580
PB1-CM1-175-5	PB1-CM2-175-5	193.7	7.625	140	250	240	9 ⁷ / ₁₆	302	314	140	12	20	29	37	2280
PB1-CM1-200-3	PB1-CM2-200-3	219.1	8.625	150	250	250	9 ¹³ / ₁₆	320	308	140	9.8	16	23	29	1010
PB1-CM1-200-6	PB1-CM2-200-6	219.1	8.625	150	250	250	9 ¹³ / ₁₆	364	346	140	24	38	52	65	3650
PB1-CM1-225-3	PB1-CM2-225-3	244.5	9.625	160	250	260	10 ¹ / ₄	346	308	135	11	18	25	32	1010
PB1-CM1-225-6	PB1-CM2-225-6	244.5	9.625	160	250	270	10 ⁵ / ₈	392	346	145	26	41	57	72	3650
PB1-CM1-250-4	PB1-CM2-250-4	273	10.750	170	250	280	11	384	314	140	16	26	36	47	1580
PB1-CM1-250-7	PB1-CM2-250-7	273	10.750	170	250	280	11	420	346	140	28	45	61	77	5340
PB1-CM1-300-4	PB1-CM2-300-4	323.9	12.750	190	300	320	12 ⁵ / ₈	446	369	155	22	35	49	62	1580
PB1-CM1-300-6	PB1-CM2-300-6	323.9	12.750	190	300	320	12 ⁵ / ₈	474	396	155	35	56	76	97	3650
PB1-CM1-300-8	PB1-CM2-300-8	323.9	12.750	190	300	320	12 ⁵ / ₈	526	410	155	54	80	106	133	7400
PB1-CM1-350-6	PB1-CM2-350-6	355.6	14.000	210	300	340	13 ⁹ / ₁₆	506	396	160	39	62	86	109	3650
PB1-CM1-350-7	PB1-CM2-350-7	355.6	14.000	210	300	340	13 ⁹ / ₁₆	506	396	160	39	62	86	109	5340
PB1-CM1-350-9	PB1-CM2-350-9	355.6	14.000	210	300	340	13 ⁹ / ₁₆	560	425	160	70	111	152	193	9650
PB1-CM1-400-6	PB1-CM2-400-6	406.4	16.000	240	300	360	14 ³ / ₁₆	570	391	155	47	74	101	128	3650
PB1-CM1-400-8	PB1-CM2-400-8	406.4	16.000	240	300	360	14 ³ / ₁₆	610	410	155	67	101	136	170	7400
PB1-CM1-400-10	PB1-CM2-400-10	406.4	16.000	240	300	370	14 ⁹ / ₁₆	638	465	160	109	171	233	295	13350
PB1-CM1-450-6	PB1-CM2-450-6	457.2	18.000	270	300	390	15 ⁵ / ₈	624	391	160	53	85	116	147	3650
PB1-CM1-450-9	PB1-CM2-450-9	457.2	18.000	270	300	390	15 ⁵ / ₈	664	425	160	91	145	200	255	9650



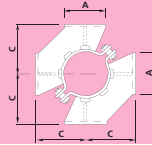
PB1



PB2



PB3



PB4

TYPE PB1 IS FOR USE AS A SLIDING BASE OR WITH SPREADER BEAMS. IF IT IS GUIDED AT THE BASE, THE LOAD CAPACITY IN THE HORIZONTAL DIRECTION IS 30% OF THE STATED VERTICAL LOAD CAPACITY.

TYPE PB2 IS FOR USE AS A GUIDE ON HORIZONTAL OR VERTICAL PIPES, OR WHEN USED WITH THE LEGS VERTICAL AS A VERTICAL RESTRAINT ON HORIZONTAL PIPES IN CASES WHERE THE VERTICAL LOAD CAN ACT UPWARDS.

TYPE PB3 IS FOR USE AS A GUIDE ON HORIZONTAL PIPES. THE STATED LOAD CAPACITY IS APPLICABLE TO BOTH VERTICAL AND LATERAL LOADINGS ACTING CONCURRENTLY.

TYPE PB4 IS A TWO WAY GUIDE WHICH CAN BE USED FOR EITHER HORIZONTAL OR VERTICAL PIPES.

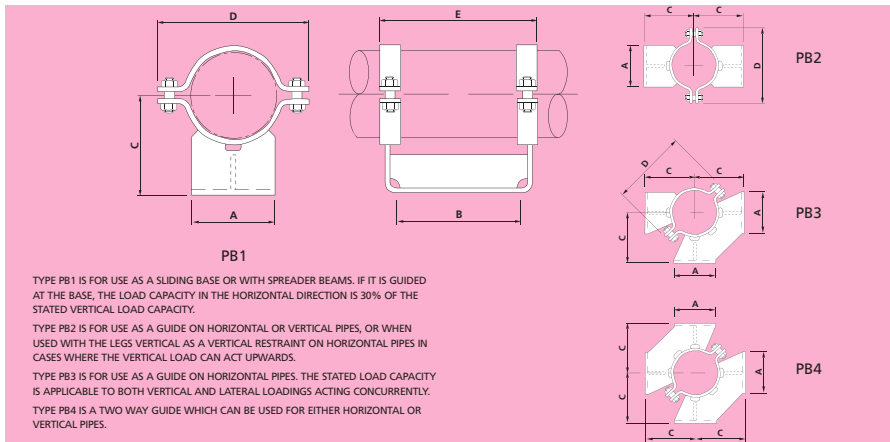
Order by Part Number, Comlin Type and Comlin Grade e.g. PBI-CM1-150-4/816IFR80

Material: Carbon Steel and Comlin. Also available in Stainless Steel.

Pipe Clamp Bases with other Load Capacities are also available.

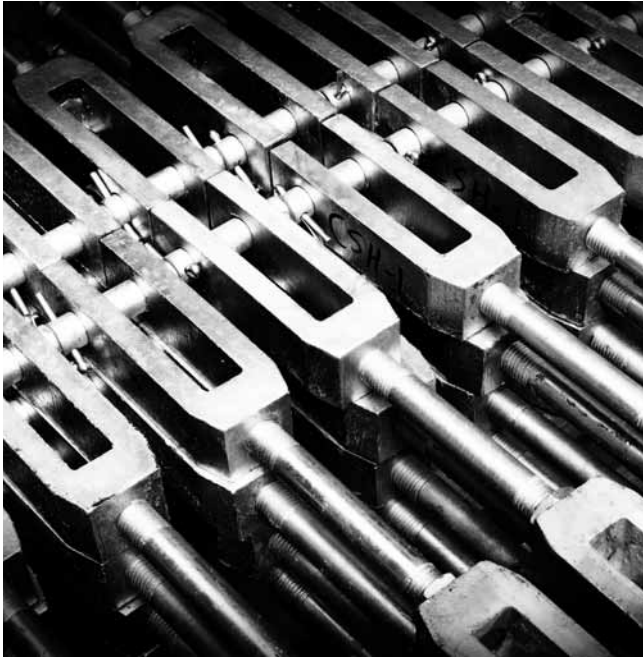
*** Do not exceed the Maximum Temperature for the Grade of Comlin used.**

PART NUMBER FOR COMLIN TYPE 816, 816, 818 & 918	PART NUMBER FOR COMLIN TYPE 817 & 917	Pipe O/D		A	B	C		D	E	Max Lugging Thickness	Weight				Load Capacity (See notes) kgf
		mm	in			mm	in				PB1 kgf	PB2 kgf	PB3 kgf	PB4 kgf	
For Multi-Leg types, replace PB1 with PB2, PB3 or PB4															
PB1-CM1-450-11	PB1-CM2-450-11	457.2	18.000	270	300	400	15 ³ / ₄	716	500	170	152	241	329	418	18000
PB1-CM1-500-6	PB1-CM2-500-6	508	20.000	300	400	440	17 ⁵ / ₁₆	694	491	185	67	110	152	195	3650
PB1-CM1-500-9	PB1-CM2-500-9	508	20.000	300	400	450	17 ¹¹ / ₁₆	716	525	195	114	189	263	338	9650
PB1-CM1-500-12	PB1-CM2-500-12	508	20.000	300	400	460	18 ¹ / ₈	770	600	205	189	308	427	546	23025
PB1-CM1-550-6	PB1-CM2-550-6	558.8	22.000	330	400	460	18 ¹ / ₈	746	491	180	74	121	168	216	3650
PB1-CM1-550-8	PB1-CM2-550-8	558.8	22.000	330	400	470	18 ¹ / ₂	768	510	190	103	164	224	285	7400
PB1-CM1-550-10	PB1-CM2-550-10	558.8	22.000	330	400	480	18 ⁷ / ₈	794	565	200	168	275	383	490	13350
PB1-CM1-550-13	PB1-CM2-550-13	558.8	22.000	330	400	490	19 ⁵ / ₁₆	872	650	210	301	488	675	862	28125
PB1-CM1-600-6	PB1-CM2-600-6	609.6	24.000	360	400	490	19 ⁵ / ₁₆	820	501	185	98	151	203	256	3650
PB1-CM1-600-8	PB1-CM2-600-8	609.6	24.000	360	400	490	19 ⁵ / ₁₆	820	510	185	112	179	246	313	7400
PB1-CM1-600-10	PB1-CM2-600-10	609.6	24.000	360	400	500	19 ¹¹ / ₁₆	846	565	195	183	301	420	538	13350
PB1-CM1-600-13	PB1-CM2-600-13	609.6	24.000	360	400	520	20 ¹ / ₂	924	650	215	330	538	745	953	28125
PB1-CM1-650-6	PB1-CM2-650-6	660.4	26.000	390	400	540	21 ¹ / ₄	872	501	205	109	168	228	288	3650
PB1-CM1-650-8	PB1-CM2-650-8	660.4	26.000	390	400	540	21 ¹ / ₄	892	510	205	125	201	277	353	7400
PB1-CM1-650-10	PB1-CM2-650-10	660.4	26.000	390	400	550	21 ⁵ / ₈	898	565	215	203	337	471	605	13350
PB1-CM1-650-13	PB1-CM2-650-13	660.4	26.000	390	400	570	22 ⁷ / ₁₆	982	670	235	386	619	853	1087	28125
PB1-CM1-700-6	PB1-CM2-700-6	711.2	28.000	420	500	560	22 ¹ / ₁₆	924	601	200	125	198	271	343	3650
PB1-CM1-700-8	PB1-CM2-700-8	711.2	28.000	420	500	570	22 ⁷ / ₁₆	942	610	210	146	239	332	426	7400
PB1-CM1-700-10	PB1-CM2-700-10	711.2	28.000	420	500	580	22 ¹³ / ₁₆	980	665	220	239	403	566	730	13350
PB1-CM1-700-13	PB1-CM2-700-13	711.2	28.000	420	500	590	23 ¹ / ₄	1036	770	230	442	722	1002	1281	28125
PB1-CM1-750-6	PB1-CM2-750-6	762	30.000	450	500	590	23 ¹ / ₄	976	601	205	135	214	294	373	3650
PB1-CM1-750-8	PB1-CM2-750-8	762	30.000	450	500	590	23 ¹ / ₄	996	610	205	157	257	358	458	7400
PB1-CM1-750-10	PB1-CM2-750-10	762	30.000	450	500	600	23 ⁵ / ₈	1030	685	215	274	451	627	804	13350
PB1-CM1-750-13	PB1-CM2-750-13	762	30.000	450	500	620	24 ¹ / ₁₆	1086	770	235	476	781	1086	1390	28125
PB1-CM1-800-6	PB1-CM2-800-6	812.8	32.000	480	500	610	24	1026	601	200	144	230	315	400	3650
PB1-CM1-800-8	PB1-CM2-800-8	812.8	32.000	480	500	620	24 ⁷ / ₁₆	1046	610	210	169	278	387	496	7400
PB1-CM1-800-10	PB1-CM2-800-10	812.8	32.000	480	500	630	24 ¹³ / ₁₆	1084	685	220	295	486	678	869	13350
PB1-CM1-800-13	PB1-CM2-800-13	812.8	32.000	480	500	640	25 ¹ / ₁₆	1140	770	230	508	835	1162	1490	28125
PB1-CM1-850-6	PB1-CM2-850-6	863.6	34.000	510	500	640	25 ⁵ / ₁₆	1078	601	205	155	247	339	431	3650
PB1-CM1-850-8	PB1-CM2-850-8	863.6	34.000	510	500	640	25 ³ / ₁₆	1098	610	205	180	297	414	530	7400

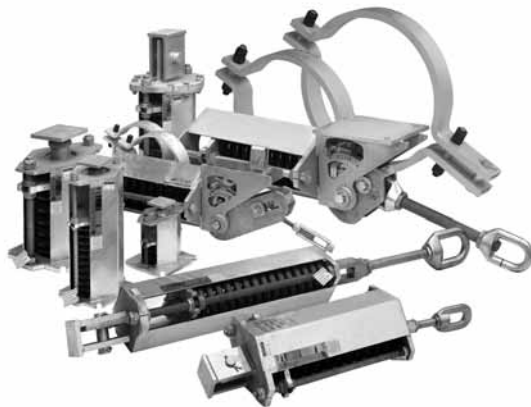


Order by Part Number, Comlin Type and Comlin Grade e.g. PBI-CM1-150-4/816/FR80
Material: Carbon Steel and Comlin. Also available in Stainless Steel.
Pipe Clamp Bases with other Load Capacities are also available.
*** Do not exceed the Maximum Temperature for the Grade of Comlin used.**

PART NUMBER FOR COMLIN TYPE 816, 916, 818 & 918	PART NUMBER FOR COMLIN TYPE 817 & 917	Pipe O/D		A	B	C		D	E	Max Lugging Thickness	Weight				Load Capacity (See notes) kgf
		mm	in			mm	mm				mm	in	mm	mm	
For Multi-Leg types, replace PB1 with PB2, PB3 or PB4															
PB1-CM1-850-10	PB1-CM2-850-10	863.6	34.000	510	500	650	25 ⁹ / ₁₆	1134	685	215	314	519	724	929	13350
PB1-CM1-850-13	PB1-CM2-850-13	863.6	34.000	510	500	670	26 ³ / ₈	1212	770	235	583	935	1288	1640	28125
PB1-CM1-900-6	PB1-CM2-900-6	914.4	36.000	540	600	670	26 ³ / ₈	1128	701	210	175	285	394	504	3650
PB1-CM1-900-8	PB1-CM2-900-8	914.4	36.000	540	600	670	26 ³ / ₈	1156	735	210	231	369	507	646	7400
PB1-CM1-900-10	PB1-CM2-900-10	914.4	36.000	540	600	680	26 ³ / ₄	1186	785	220	356	598	840	1082	13350
PB1-CM1-900-13	PB1-CM2-900-13	914.4	36.000	540	600	690	27 ³ / ₁₆	1294	870	230	655	1065	1474	1884	28125
PB1-CM1-950-6	PB1-CM2-950-6	965.2	38.000	570	600	690	27 ³ / ₁₆	1182	701	205	185	302	418	535	3650
PB1-CM1-950-8	PB1-CM2-950-8	965.2	38.000	570	600	690	27 ³ / ₁₆	1206	735	205	244	391	538	685	7400
PB1-CM1-950-10	PB1-CM2-950-10	965.2	38.000	570	600	700	27 ⁹ / ₁₆	1236	785	215	377	634	891	1148	13350
PB1-CM1-950-13	PB1-CM2-950-13	965.2	38.000	570	600	720	28 ³ / ₈	1346	870	235	696	1134	1573	2011	28125
PB1-CM1-1000-6	PB1-CM2-1000-6	1016	40.000	600	600	720	28 ³ / ₈	1234	701	210	197	321	446	570	3650
PB1-CM1-1000-8	PB1-CM2-1000-8	1016	40.000	600	600	720	28 ³ / ₈	1260	735	210	259	416	573	730	7400
PB1-CM1-1000-10	PB1-CM2-1000-10	1016	40.000	600	600	730	28 ⁵ / ₄	1312	785	220	432	706	980	1254	13350
PB1-CM1-1000-13	PB1-CM2-1000-13	1016	40.000	600	600	740	29 ¹ / ₈	1398	870	230	733	1197	1661	2125	28125



Part of a large contract for a reformer furnace project



Selection of Constants, Variables & Ancillaries

WHAT SLIDE BEARINGS DO

When structures get hot, they expand — and this expansion has to be accommodated within the design of the structure.

For example, bridges and buildings expand and contract as a result of changes in ambient temperature and pipelines expand or contract when the temperature of the fluid they are transporting changes.

Failure to allow such items to expand can produce in them unacceptably high stresses and may also overload the equipment or structure to which they are attached. An extremely effective way of accommodating such expansion is to allow one item to move in relation to another — and this can easily be achieved by using slide bearings to separate the expanding item from the supporting structure.

However, it is important that the bearing is designed so that the frictional force between the item and the structure is kept to a minimum, to prevent the development of high loads and stresses.

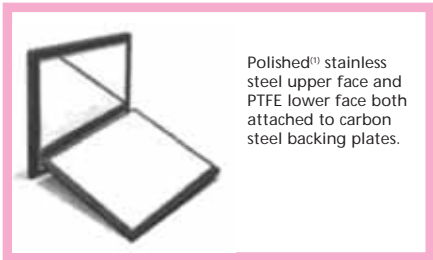
WHY USE EASISLIDE BEARINGS?

- They incorporate PTFE or other low friction materials.
- The bearings are designed to achieve optimum performance, by careful specification of the bearing pad dimensions to achieve the ideal compressive stress.
- Capable of operating completely dry, they require no lubrication.
- Able to withstand a wide range of environmental conditions — operating at temperatures from minus 200°C to plus 400°C and are resistant to a wide range of organic and inorganic chemicals.
- Can tolerate some embedment of small particles in the bearing pad without causing failure.
- Compact design — which means they often fit into areas unsuitable for other types of bearing.
- Designed for easy on-site installation.
- Long and maintenance free life.
- Already operating successfully in a wide range of installations worldwide.

EASISLIDE LOW FRICTION BEARINGS

Pipe Supports Group offers a comprehensive range of slide bearings suitable for many industrial applications. We supply bearings in a range of materials to standard designs and we also design and supply non-standard bearings to suit particular applications.

PTFE/STAINLESS STEEL BEARINGS



PTFE sliding on polished[®] stainless steel gives optimum low friction performance, with reduced frictional loadings permitting more efficient structural design. For bearing pressures above 1MPa, coefficient of friction values will typically be <0.05 for virgin PTFE and <0.07 for filled grades. Coefficient of friction reduces with increasing bearing pressure.

On PTFE/stainless steel bearings, the stainless steel surface is made larger than the PTFE by an amount exceeding the lateral movements. This means that the PTFE surface is always in full contact with the stainless steel, ensuring no increase in bearing pressure or damage to the PTFE surface caused by the edge of the harder stainless steel plate pressing into the PTFE. It is usual to install PTFE/stainless steel bearings with the larger stainless steel plate uppermost so that dust cannot settle on the larger plate, though design considerations may necessitate installation with the PTFE at the top. PTFE does tolerate some embedment of small particles without significant effect on performance.

**PTFE/STAINLESS STEEL BEARINGS
— RECOMMENDED MAXIMUM
BEARING PRESSURE**

PTFE will suffer from creep under high loading, this effect increasing at higher temperatures. Pipe Support Group's maximum recommended bearing pressures are shown on the following graph.

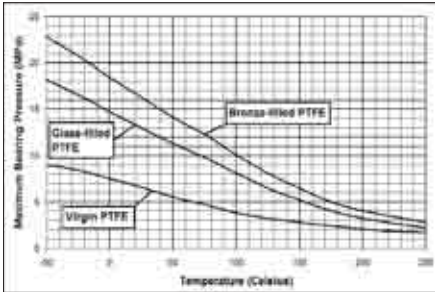


Figure 1

For PTFE bearings where the PTFE is affixed to the backing plate solely by bonding, a maximum PTFE service temperature of 120°C is recommended. Where the PTFE is contained in a machined recess in the backing plate, a maximum temperature of 250°C is applicable. Note that if EasiSlide bearings are fitted below pipe shoes on insulated pipework, there will be a temperature drop through the shoe and insulation; the bearing will not be at the same temperature as the pipe.

**PTFE/STAINLESS STEEL BEARINGS
— STANDARD BEARINGS**

For the standard designs, the bottom plate is square. The top plate may be square or rectangular, depending on required movement in the co-ordinate directions. For efficient selection of travel range, the relative positions of top and bottom plates can be offset on installation. Backing plates are carbon steel as standard but can be supplied in stainless steel if requested.

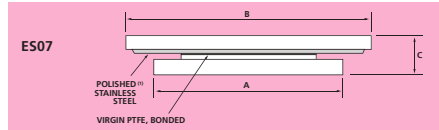
- Travel Range 1 = +/- 12.5mm Movement
- Travel Range 2 = +/- 25mm Movement
- Travel Range 3 = +/- 37.5mm Movement

Bearings can be supplied with different thickness "C" if requested. Care should be taken that the backing structure has adequate strength and rigidity.

**STANDARD BEARINGS WITH
BONDED PTFE**

ES07 BEARING

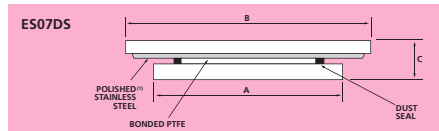
Bonded Virgin PTFE/Stainless Steel



Size	Recommended Loading at 25°C (kg) ⁽¹⁾ (2)		A (Sq.)	C	B (mm)		
	Min	Max			Movement		
			mm	mm	Range 1	Range 2	Range 3
250	50	250	40	15	65	90	115
500	100	500	55	21	75	100	125
1000	200	1000	70	25	85	110	135
2000	400	2000	100	29	105	130	155
4000	800	4000	125	35	125	150	175
8000	1600	8000	180	45	165	190	215
16000	3200	16000	230	55	205	230	255
32000	6400	32000	300	55	275	300	325
64000	12800	64000	400	55	375	400	425

ES07DS BEARING

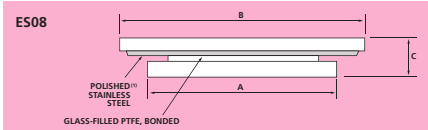
**Bonded Virgin PTFE/Stainless Steel
with Dust Seal**



Size	Recommended Loading at 25°C (kg) ⁽¹⁾ (2)		A (Sq.)	C	B (mm)		
	Min	Max			Movement		
			mm	mm	Range 1	Range 2	Range 3
250	50	250	60	15	85	110	135
500	100	500	75	21	95	120	145
1000	200	1000	90	25	105	130	155
2000	400	2000	120	29	125	150	175
4000	800	4000	145	35	145	170	195
8000	1600	8000	200	45	185	210	235
16000	3200	16000	260	55	235	260	285
32000	6400	32000	330	55	305	330	355
64000	12800	64000	430	55	405	430	455

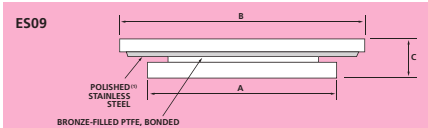
EASISLIDE LOW FRICTION BEARINGS

ES08 BEARING Bonded Glass-Filled PTFE/Stainless Steel



Size	Recommended Loading at 25°C (kg) ^{(2) (4)}		A (Sq.)		B (mm)		
	Min	Max	mm	mm	Movement		
					Range 1	Range 2	Range 3
480	50	480	40	15	65	90	115
960	100	960	55	21	75	100	125
1900	200	1900	70	25	85	110	135
3800	400	3800	100	29	105	130	155
7600	800	7600	125	35	125	150	175
15000	1600	15000	180	45	165	190	215
30000	3200	30000	230	55	205	230	255
60000	6400	60000	300	55	275	300	325
120000	12800	120000	400	55	375	400	425

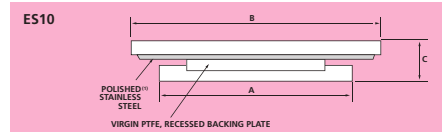
ES09 BEARING Bonded Bronze-Filled PTFE/Stainless Steel



Size	Recommended Loading at 25°C (kg) ^{(2) (4)}		A (Sq.)		B (mm)		
	Min	Max	mm	mm	Movement		
					Range 1	Range 2	Range 3
600	50	600	40	15	65	90	115
1200	100	1200	55	21	75	100	125
2400	200	2400	70	25	85	110	135
4800	400	4800	100	29	105	130	155
9600	800	9600	125	35	125	150	175
19000	1600	19000	180	45	165	190	215
38000	3200	38000	230	55	205	230	255
76000	6400	76000	300	55	275	300	325
152000	12800	152000	400	55	375	400	425

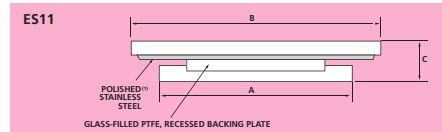
STANDARD BEARINGS WITH PTFE IN A MACHINED RECESS

ES10 BEARING Virgin PTFE in Recessed Backing Plate/Stainless Steel



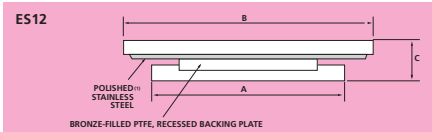
Size	Recommended Loading at 25°C (kg) ^{(2) (4)}		A (Sq.)		B (mm)		
	Min	Max	mm	mm	Movement		
					Range 1	Range 2	Range 3
250	50	250	40	18	65	90	115
500	100	500	55	23	75	100	125
1000	200	1000	70	27	85	110	135
2000	400	2000	100	32	105	130	155
4000	800	4000	125	40	125	150	175
8000	1600	8000	180	50	165	190	215
16000	3200	16000	230	60	205	230	255
32000	6400	32000	300	60	275	300	325
64000	12800	64000	400	60	375	400	425

ES11 BEARING Glass-Filled PTFE in Recessed Backing Plate/Stainless Steel



Size	Recommended Loading at 25°C (kg) ^{(2) (4)}		A (Sq.)		B (mm)		
	Min	Max	mm	mm	Movement		
					Range 1	Range 2	Range 3
480	50	480	40	18	65	90	115
960	100	960	55	23	75	100	125
1900	200	1900	70	27	85	110	135
3800	400	3800	100	32	105	130	155
7600	800	7600	125	40	125	150	175
15000	1600	15000	180	50	165	190	215
30000	3200	30000	230	60	205	230	255
60000	6400	60000	300	60	275	300	325
120000	12800	120000	400	60	375	400	425

ES12 BEARING
Bronze-Filled PTFE in Recessed Backing Plate/Stainless Steel



Size	Recommended Loading at 25°C (kg) ⁽¹⁾⁽²⁾		A (Sq) mm	C mm	B (mm)		
	Min	Max			Movement		
					Range 1	Range 2	Range 3
600	50	600	40	18	65	90	115
1200	100	1200	55	23	75	100	125
2400	200	2400	70	27	85	110	135
4800	400	4800	100	32	105	130	155
9600	800	9600	125	40	125	150	175
19000	1600	19000	180	50	165	190	215
38000	3200	38000	230	60	205	230	255
76000	6400	76000	300	60	275	300	325
152000	12800	152000	400	60	375	400	425

Notes

- ⁽¹⁾ Polished to a surface finish according EN10088-2 class 2B (Equivalent to ASTM A480 No.2B)
- ⁽²⁾ Recommended for use up to a maximum temperature of 120°C
- ⁽³⁾ Recommended for use up to a maximum temperature of 250°C
- ⁽⁴⁾ For temperatures greater than 25°C, reduce the maximum loading as per Figure 1

Typical Designation

ES08-15000 – RANGE 1 X RANGE 3

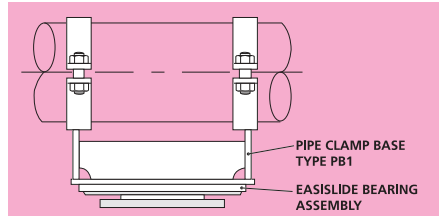
PTFE Bearings – Applications and Non-Standard Designs



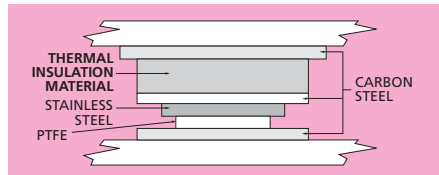
Non-Standard EasiSlide Bearings on Cym Dylli HEP Station, Gwynedd, Wales.

Use with Pipe shoes

ES07 to ES12 Slide Bearings are compatible with pipe clamp bases Types PB1-PB4



Use with Load-Bearing Thermal Insulation



For high temperature application, when using PTFE bearings, it is necessary to use load bearing thermal insulation to reduce the temperature at the bearing face. This is an alternative to using high temperature slide bearings – see next page.

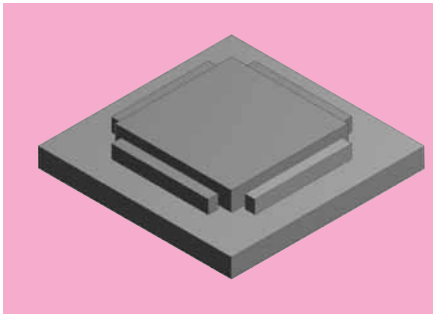
Design for Large Movement

We can supply non-standard designs of types ES07 to ES12 to allow for movements greater than Range 3 (+/-37.5mm).

For pipework applications with very large horizontal movements, the standard design of PTFE/stainless steel bearing with the large upper plate may not be practical. Large lateral movement could cause the pipe shoe to twist around the pipe, or a twisting moment can be applied to the pipe which is also undesirable. In these circumstances, it may be preferable to install the bearing with the smaller PTFE-bearing plate at the top. PTFE on PTFE designs with overlapping strips of PTFE can also be considered. Note that an increased coefficient of friction will apply for PTFE-on-PTFE bearings and a lower bearing pressure should be used.

HIGH TEMPERATURE SLIDE BEARINGS

STANDARD DESIGN – ES13



ES13 Lower Plate

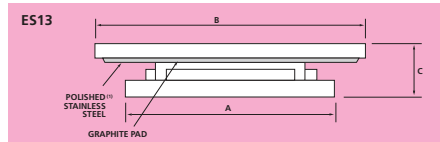
The ES13 standard high temperature bearing uses a Grade PSG03 graphite pad positively located on the lower plate. The upper plate comprises a polished⁽¹⁾ stainless steel plate welded to a backing plate. The size of the stainless steel plate is such that the graphite pad

is always in full contact. The bottom plate is square. The top plate may be square or rectangular, depending on required movement in the co-ordinate directions. For efficient selection of travel range, the relative positions of top and bottom plates can be offset on installation. Backing plates are carbon steel as standard but can be supplied in stainless or alloy steel if requested.

The standard ES13 slide bearing is designed for a maximum bearing face temperature of 400°C (752°F). For conventional high temperature piping installations using pipe clamp bases types PB1 to PB4, the temperature drop through the clamp base should result in a bearing face temperature less than 400°C.

For ES13 bearings, a coefficient of friction of approximately 0.15 should be expected.

**ES13 BEARING
Lower Plate with Graphite Pad/Polished⁽¹⁾ Stainless Steel Upper Plate**



Size	Recommended Max. Loading (at 400°C)	A (Sq.)	C	B (mm)		
				Movement		
	kg	mm	mm	Range 1	Range 2	Range 3
2200	2200	75	33	75	100	125
3500	3500	85	37	85	110	135
5000	5000	95	43	95	120	145
9000	9000	115	53	115	140	165
14000	14000	135	53	135	160	185
20000	20000	155	63	155	180	205
27000	27000	175	63	175	200	225
36000	36000	195	63	195	220	245
45000	45000	215	63	215	240	265
56000	56000	235	63	235	260	285

Travel Range 1 = +/- 12.5mm Movement
 Travel Range 2 = +/- 25mm Movement
 Travel Range 3 = +/- 37.5mm Movement
 Bearings can be supplied with different thickness "C"



if requested. Care should be taken that the backing structure has adequate strength and rigidity.

Notes

(1) Polished to a surface finish according EN10088-2 class 2B (Equivalent to ASTM A480 No.2B)

Typical Designation

ES13-9000 – RANGE 1 X RANGE 2

Use with Pipe shoes

ES13 Slide Bearings are compatible with pipe clamp bases Types PB1-PB4

Design for Large Movement

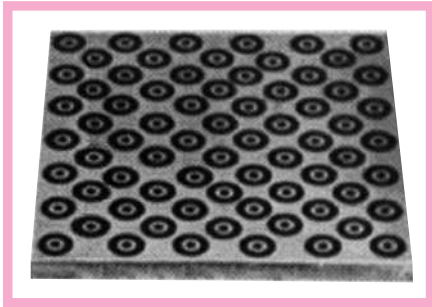
We can supply non-standard designs of type ES13 to allow for movements greater than Range 3 (+/-37.5mm).

High Temperature Slide Bearings — Non-Standard designs

Pipe Supports Group design and supply high temperature slide bearings to customer requirements.

Available Materials include:

- Leaded Bronze
- Lubricated Manganese Bronze
- Graphite-lubricated Cast Iron



Lubricated Bronze Bearing Pad

CONSTANT EFFORT SUPPORTS

Our current range of Constant Effort Supports is the latest step in a continuous development programme which began in 1950 with the 'Con-Ten' support.

The range has been designed taking into account all the knowledge gained since these early days. This know-how has determined the optimum geometrical arrangement to ensure that, theoretically, the deviation of supporting effort is kept to a minimum. Fewer friction points ensure this applies in practice as well as theory. The single most critical factor affecting constancy is the spring, and we at Pipe Supports have made great efforts to design a range of springs that will deliver the performance our customers demand. In addition, the range has been designed to cater for the ever-increasing space limitations on offshore rigs, power stations and other process plants.

Other criteria that have been carefully considered, both during the conceptual and practical design stages, are the effects of ageing on the spring, the environment that hangers have to work in, the particular needs of the sophisticated pipework company in their requirement for 'balancing' lines during erection, and the capability to provide simple site adjustment to overcome changes or problems that occur late in the contract period.

Our range of Constant Effort Supports is the result, which we are proud to present in this catalogue.

APPLICATION

Constant Effort Supports are used to support pipework or equipment with an essentially constant supporting effort during what may be large vertical movement. Where the change in supporting effort which occurs when using variable effort supports is unacceptable, or where the amount of travel provided by variable effort supports is insufficient, constant effort supports should be specified. High temperature steam lines in power stations and flow lines on oil production platforms are examples of situations where large relative movement between piping and the

supporting structure make the use of Constant Effort Supports essential.

RANGE

Our standard range of Constant Effort Supports caters for loads up to above 50 tonnes with movement provided up to 750 mm.

FRAME SIZE AND SPRING SIZE

The support designation gives the support frame size and spring size:

C5-17

FRAME SIZE C5

SPRING SIZE 17

Many dimensions are common for a given frame size.

SUPPORT TYPES

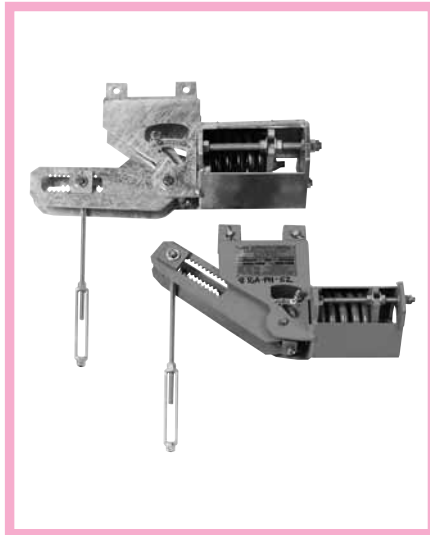
We offer eleven standard support types:

- HS Horizontal type – single point suspension
- HD Horizontal type – double point suspension
- VS Vertical type – single point suspension
- VD Vertical type – double point suspension
- VIS Vertical inverted type – single point suspension
- VID Vertical inverted type – double point suspension
- HBM Horizontal base mounted
- HBMCS Horizontal base mounted compression seat
- VBM Vertical base mounted
- VBMCS Vertical base mounted compression seat
- VIBM Vertical inverted base mounted

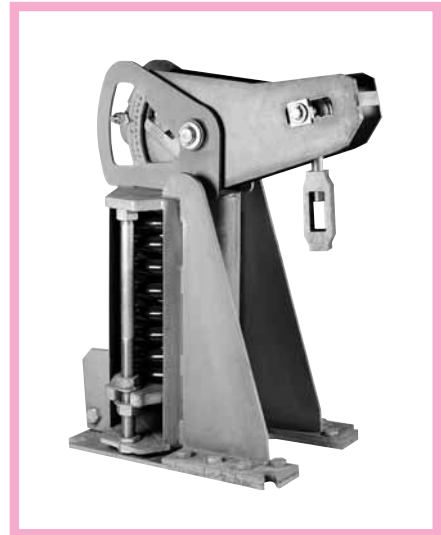
Details of Vertical inverted tandem type (type VIT) are available on request.

SUSPENSION STYLES

For the suspended types, five styles of top suspension are available, namely TS1, TS2, TS3, TS4 and TS5.



Constant Effort Supports Type HD

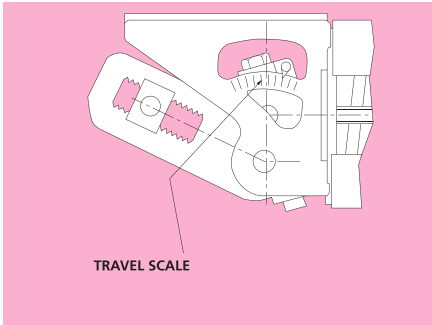


Type VBM

CONSTANT EFFORT SUPPORTS

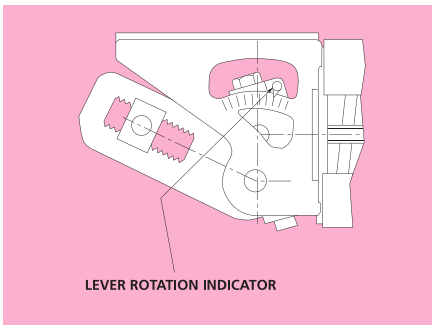
STANDARD FEATURES

- 1. Compactness of units.** Installed heights and overall sizes designed to the minimum.
- 2. Travel Indicator.** Enables the behaviour of the pipework to be monitored, indicating that pipework movement is as designed and calling attention to any system irregularities.

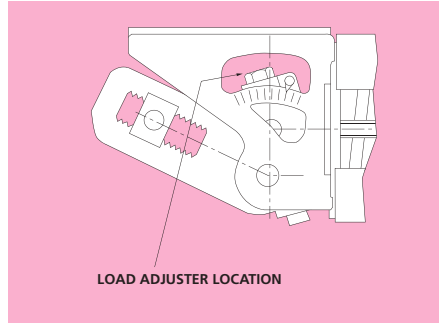


- 3. Lever Rotation Indicator.** The support frames incorporate a window. The position of the lever rotation indicator within the window provides a visual indication of the position of the lever, and therefore confirmation that the support is taking load correctly. If the lever rotation indicator is away from the extremities of the window, the support is taking load. If the indicator is at the back of the window, the support may be off load; if it is at the front, the support may be overloaded. If the indicator is at either extremity, adjustment of the support travel position and/or load adjustment is required.

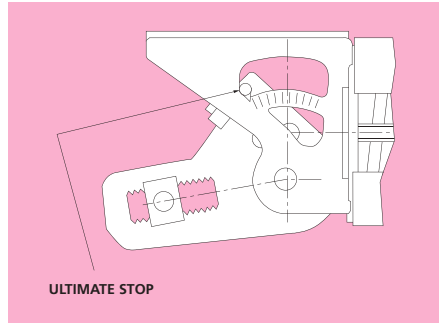
The lever rotation indicator provides quick visual confirmation that the support is "on load"; this assessment can be made from a considerable distance.



- 4. Load Adjustment Facility.** A minimum of +/-20% site load adjustment is available without altering the travel provided. The load adjuster is conveniently situated for site use. In cases where greater load adjustment is required this can be supplied, by prior agreement.



- 5. Ultimate Stop.** The construction of the main frame is such that in the case of overload the lever arm will be arrested prior to the spring becoming solid.



- 6. Infinitely Variable Locking/Balancing Device.** Every unit is sent to site locked in the D.T.S. (Despatched to Site) position shown on the general arrangement drawing for the contract. The locking mechanism comprises two locking rods which run the full length of the spring housing. The hanger is locked and becomes a rigid support by restraining the spring compression plate as shown in the illustration following. The locking device being constructed from two threaded members operates in an infinitely variable number of positions and is securely attached to the support for future re-use, regardless of pipework position.

For details on how to use the locking/balancing device see section headed Installation and Erection.